

26259K-4 Touchless Swing Kitchen Faucet

BEFORE YOU BEGIN

All information is based on the latest product information available at the time of publication. Kohler Co. reserves the right to make changes in product characteristics, packaging, or availability at any time without notice.

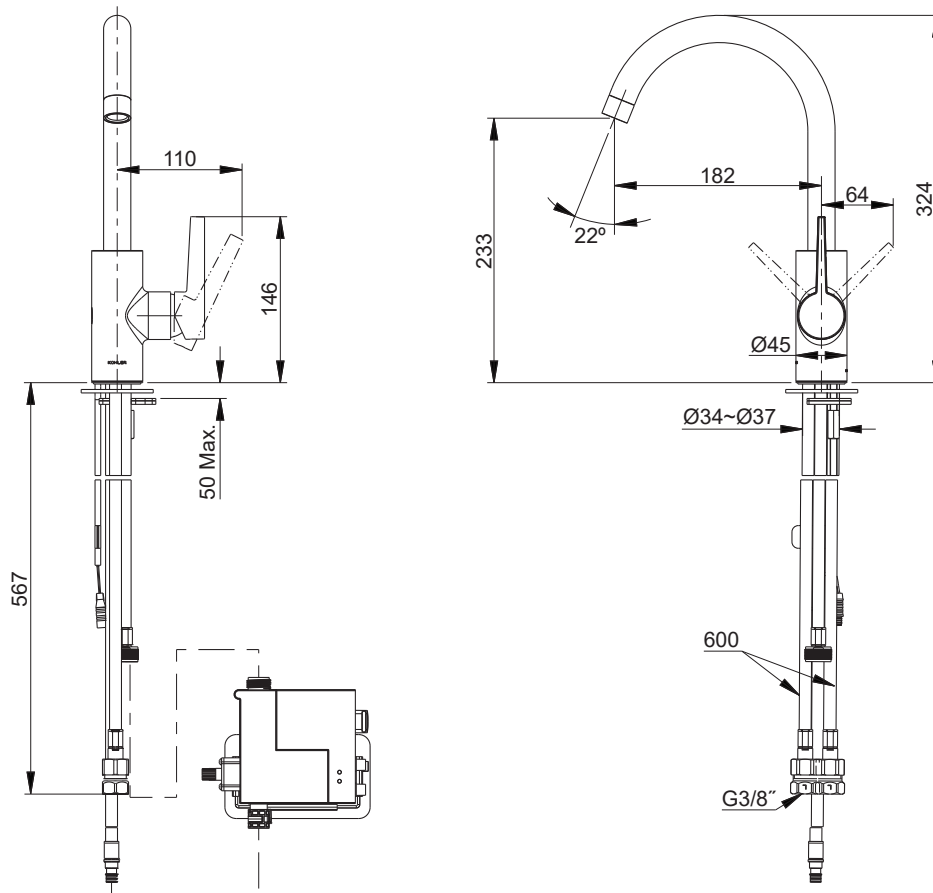
Please leave these instructions for the consumer. They contain important information.

NOTE:

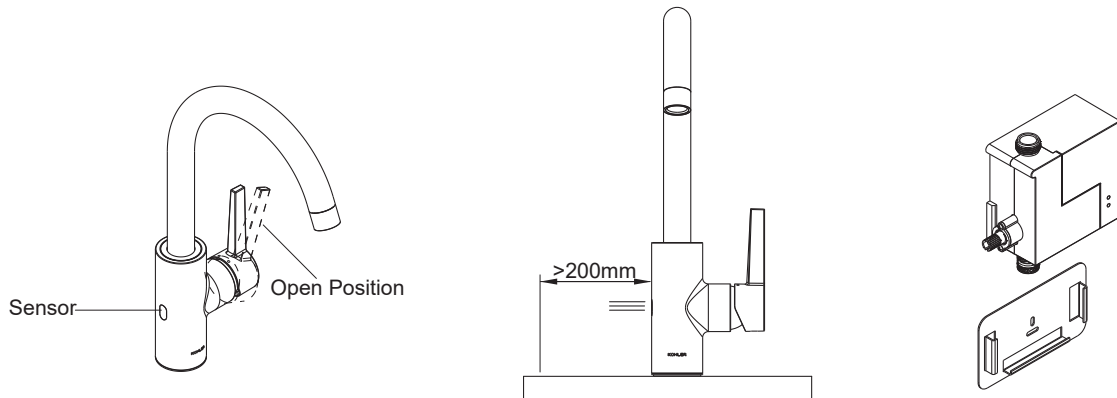
1. Flush the water supply pipes thoroughly to remove debris.
2. For new installations, install the faucet to sink before installing.
3. **Risk of injury or property damage.** Please read all instructions thoroughly before beginning installation.
4. Follow all plumbing, electrical, and building codes.
5. **Risk of fresh water contamination.** This faucet contains back-siphonage protection. Do not remove any internal components.
6. **Risk of product damage.** This product contains sensitive electronic components. Do not store open containers of chemical or cleaning products near this product.
7. Allow adequate clearance for servicing.
 - 1) Before installing the faucet make sure the cabinet area under sink can accommodate all of the required components.
 - 2) Consider loose fitting the connections covered in the following steps to make sure the bracket location allows enough clearance.

ROUGH-IN DIMENSIONS

Unit: mm



OPERATION INSTRUCTION



Faucet Operation

Rotate the handle outward to the open position. If the valve is turned on, it will start water flow automatically. If not, it will not start water flow, wave your hand near the sensor to turn on the valve. After 4 minutes of inactivity, the water will automatically shut OFF, wave your hand near the sensor again to turn the water ON.

Adjust the handle to the desired water temperature.

Wave your hand near the sensor again to turn the water OFF.

NOTE:

For extended periods of nonuse, the handle should be returned to the closed (upright) position.

Keep the sensor away from the steam.

Do not place anything within 200mm from the sensor to avoid accidentally activating the sensor and power consumption.

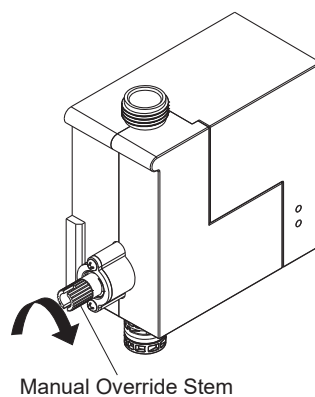
Valve Box LED Indicators

Green LED: Indicates that the AC plug is installed and connected.

Red flashing LED: Indicates low batteries.

Features

Automatic shut-off: After 4 minutes of inactivity, the water will automatically shut OFF.



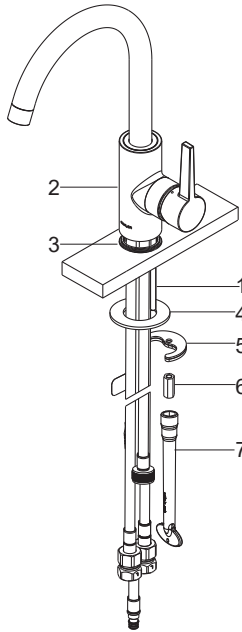
Manual Sensor Override

In case of power loss, the sensor function can be bypassed by engaging the manual override feature on the valve box.

Turn clockwise to engage the bypass and counter-clockwise to disable the bypass with coin.

Once the manual override is engaged, the faucet can then be operated manually only.

INSTALLATION



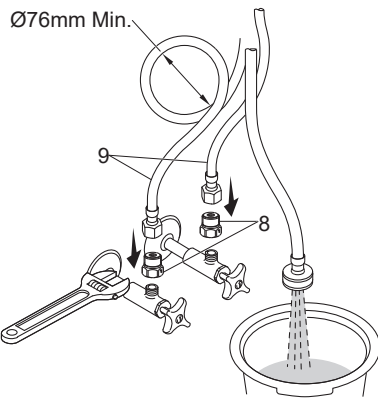
How to Install the Faucet

□ Install the mounting stud(1) into the faucet body(2) base. Slide the washer(3) into the groove of the body through the hoses and mounting stud.

□ Insert the faucet assembly into the mounting hole. Ensure the bottom of the washer is against the deck.

□ From underside, slide the washer(4) onto the hoses and mounting stud, and then place the washers(5, rubber washer is on the top) and nut(6) onto the mounting stud.

□ Adjust the faucet to a suitable position, tighten the nut with tool(7) to secure the faucet.

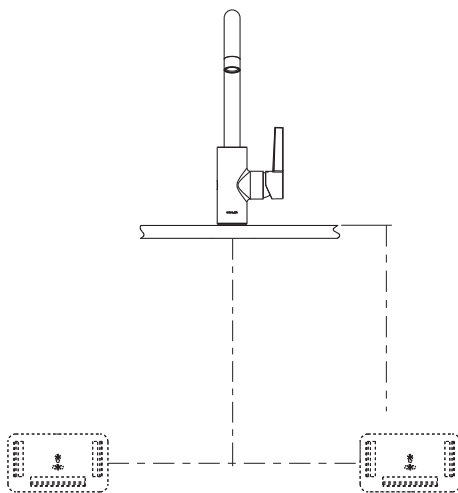


How to Connect the Hoses

□ Tighten the check valve housings(8) onto water supplies. Tighten the supply hoses(9) to the check valve housings. The hose with blue mark should be connected to cold water. The hose with red mark should be connected to hot water.

□ Open hot and cold water supplies. Turn on the faucet. Flush hot and cold water for about one minute to remove any debris. Shut off faucet and water supplies.

NOTE: Supply hoses must not be taut, kinked, or twisted during installation. If the supply hoses must be coiled, maintain an inside diameter of minimum Ø76mm.



How to Install the Bracket

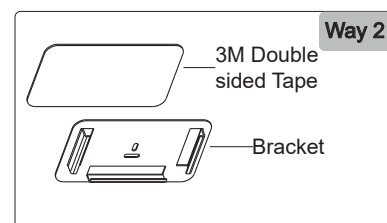
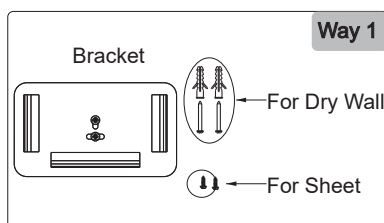
NOTE: 1) The bracket must be installed horizontally.
2) Allow adequate clearance for servicing.

□ Way 1: Secure bracket with provided mounting screws.
□ Way 2: Only apply for flat and smooth walls.

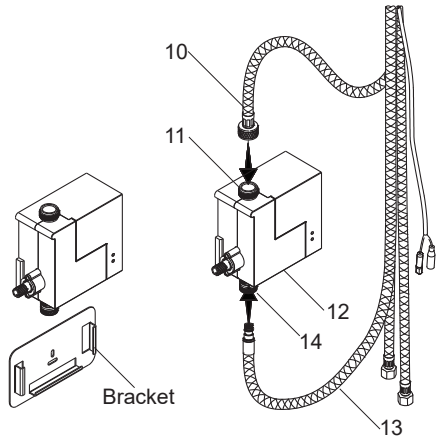
1) Clean the bracket backside and installed location of the wall. Be sure to remove oil, water and dust.

2) After the surface is dry, tear off one paper of the 3M double sided tape, stick it on the bracket backside, and press it evenly for a while after bonding.

3) Tear off another paper of the 3M double sided tape. Ensure the bracket is horizontal and in the right place, and then paste it onto the wall and press it firmly.



How to Install the Valve Box

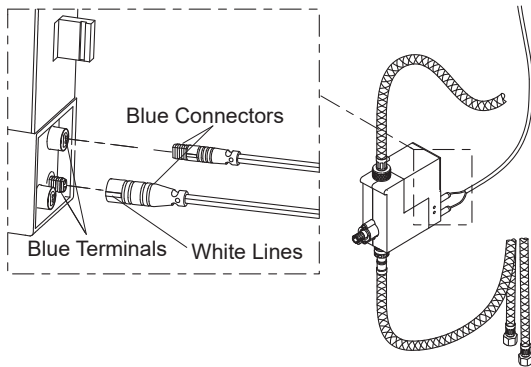


IMPORTANT! Risk of restricted waterflow.

The outlet hose(10) must not be taut or kinked when installed.

NOTE: Tighten the outlet hose connector by hand. Do not use a pliers or a wrench.

- Thread the outlet hose(10) onto the valve inlet(11).
- Slide the valve box(12) into the mounted bracket.
- Connect hose(13) to the valve box outlet(14). Make sure it is securely connected in place .

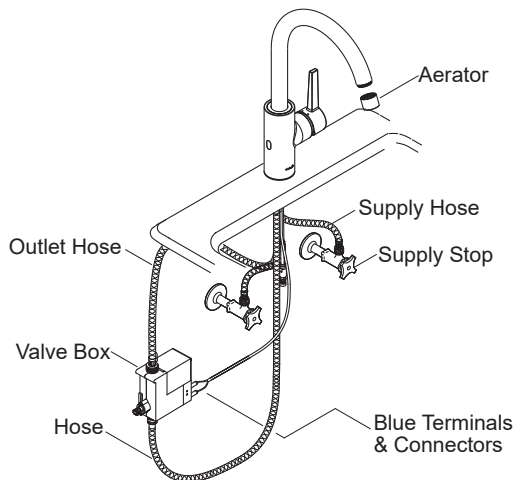


How to Connect the Wires

- Connect the blue connectors to the blue terminals on valve box. The white lines on the connectors should face the front of the valve box.

NOTE: After all wires of the valve box are connected, it will take 15 seconds to start working.

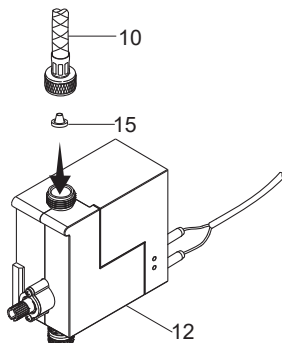
INSTALLATION CHECKOUT



- Ensure that all connections are tight.
- Ensure that the handle is in the off position.
- Turn on the main water supplies and drain.
- Check all connections for leaks. Repair as needed.
- Remove the aerator. Turn on the faucet, run hot and cold water about one minute to remove any debris.

Remove any debris from the aerator. Shut off the faucet. Reinstall the aerator.

CARE AND MAINTENANCE



How to Clean Inlet Screen of Valve Box

- Turn the handle to the closed position.
- Disconnect the outlet hose(10) from the valve box(12).
- Remove and clean the inlet screen(15) from inside the valve box.
- Reinstall the inlet screen and reconnect outlet hose.

TROUBLESHOOTING

CAUTION: Risk of product damage. This product contains sensitive electronic components. Use care not to damage pins and connectors during troubleshooting.

Faucet Troubleshooting Table

Symptoms	Probable Causes	Recommended Actions
1. No water flow.	<p>A. The supply stops are closed.</p> <p>B. Handle is in the closed position.</p> <p>C. The hot and/or cold supply hose is kinked.</p> <p>D. Battery power is low or exhausted.</p> <p>E. Valve screen is clogged.</p>	<p>A. Confirm the supply stops are open.</p> <p>B. Rotate the handle to the open position. Refer to the "Operation Instruction" section.</p> <p>C. Confirm the supply hoses are not kinked. If coiled, maintain an inside diameter of minimum Ø76mm.</p> <p>D. Check for a red flashing LED on the sensor. If it flashes red, refer to valve box installation instruction 1441903-K2 for batteries replacement.</p> <p>E. Refer to the "Care and maintenance" section.</p>
2. Low water flow.	<p>A. The supply stops are partially closed.</p> <p>B. Handle is partially closed.</p> <p>C. The hot and/or cold supply hose is kinked or twisted.</p> <p>D. One or more screens are clogged.</p> <p>E. Cracked diaphragm.</p>	<p>A. Confirm the supply stops are fully open.</p> <p>B. Rotate the handle to the full open position.</p> <p>C. Confirm the supply hoses are not kinked or twisted. If coiled, maintain an inside diameter of minimum Ø76mm.</p> <p>D. Refer to the "Care and maintenance" section.</p> <p>E. Replace the valve box assembly.</p>
3. Poor spray pattern.	<p>A. The aerator is clogged.</p>	<p>A. Remove the aerator. Turn on the faucet and run hot and cold water to remove any debris from the aerator.</p>
4. Water drip or trickle when faucet is not in use.	<p>A. Manual override is partially engaged.</p>	<p>A. Turn the manual override counter-clockwise as far as possible. Then turn the manual override clockwise until the water stops dripping.</p>

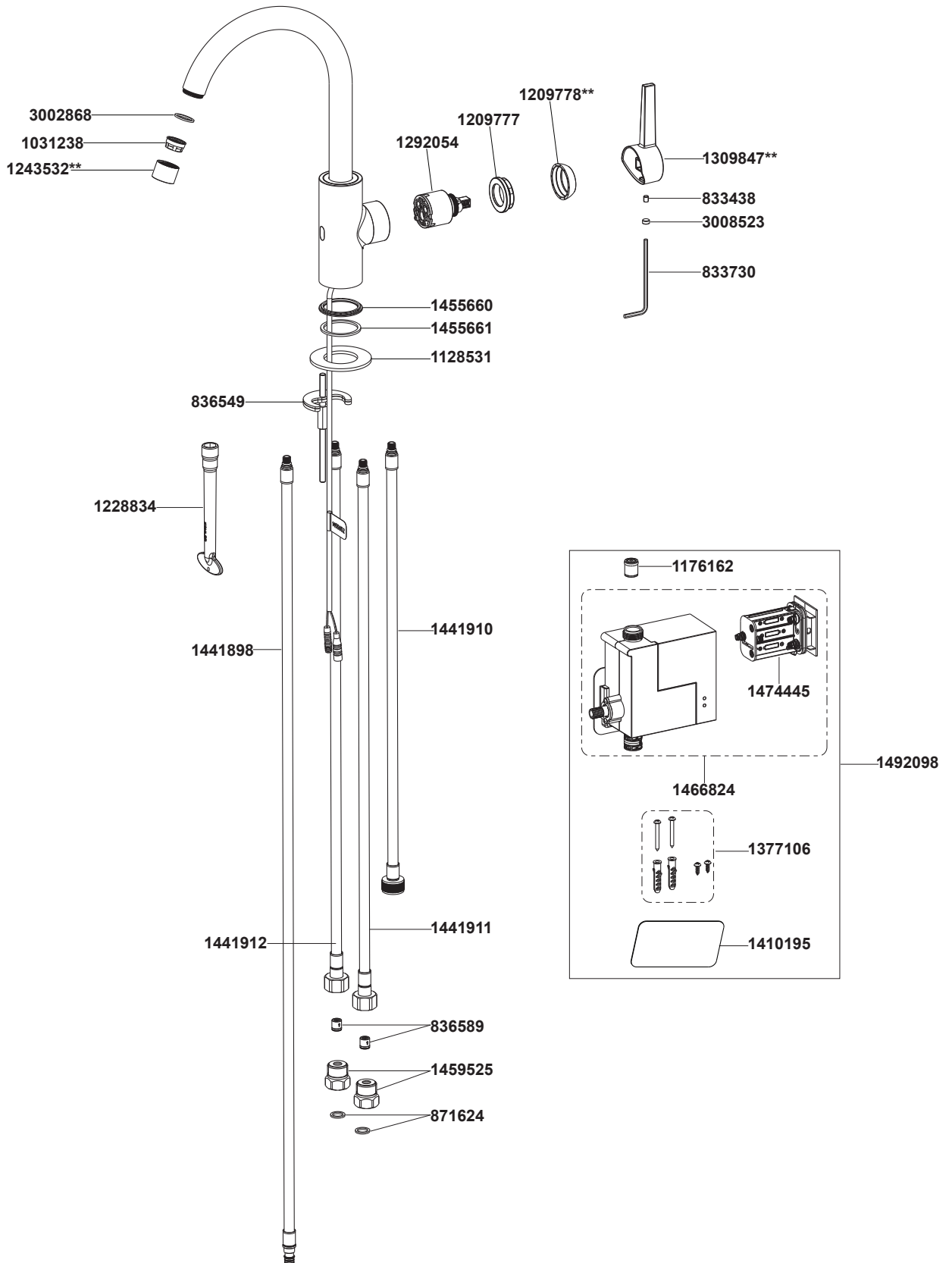
CLEANING INSTRUCTIONS

All Finishes: Clean the finish with mild soap and warm water. Wipe entire surface completely dry with clean soft cloth. Many cleaners may contain chemicals, such as ammonia, chlorine, toilet cleaner etc. which could adversely affect the finish and are not recommended for cleaning.

Do not use abrasive cleaners or solvents on Kohler faucets and fittings.

"LEAD FREE" is marked on the back of the faucet signifying its compliance with the United States AB1953

26259K-4 Touchless Swing Kitchen Faucet



**Color code must be specified when ordering.