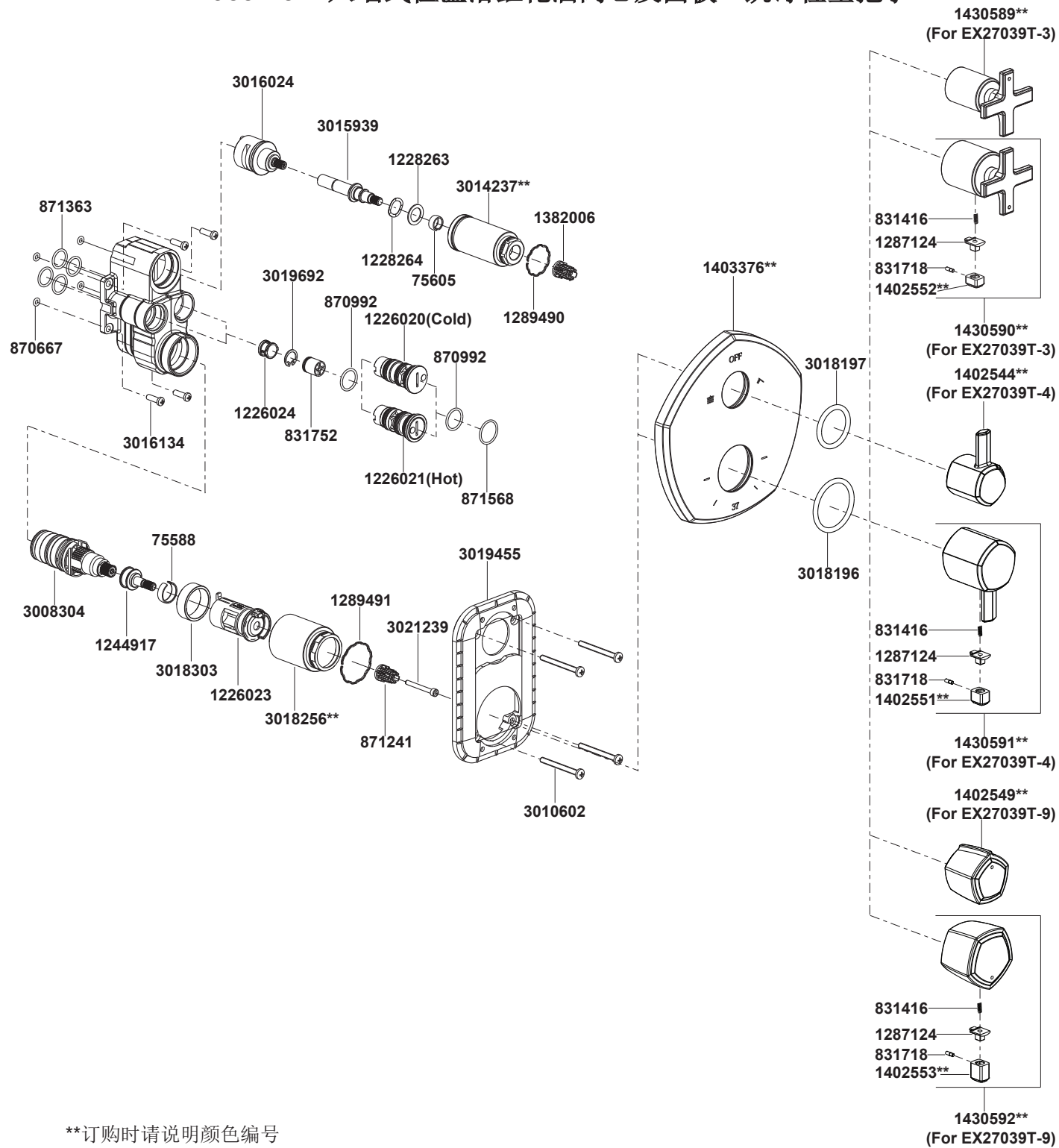


- EX27039T-3 入墙式恒温浴缸花洒阀芯及面板 - 凯诗十字型把手
- EX27039T-4 入墙式恒温浴缸花洒阀芯及面板 - 凯诗杆型把手
- EX27039T-9 入墙式恒温浴缸花洒阀芯及面板 - 凯诗柱型把手



\*\*订购时请说明颜色编号

\*\*Color code must be specified when ordering

- EX27038T-3 入墙式恒温花洒阀芯及面板 - 凯诗十字型把手
- EX27038T-4 入墙式恒温花洒阀芯及面板 - 凯诗杆型把手
- EX27038T-9 入墙式恒温花洒阀芯及面板 - 凯诗柱型把手
- EX27039T-3 入墙式恒温浴缸花洒阀芯及面板 - 凯诗十字型把手
- EX27039T-4 入墙式恒温浴缸花洒阀芯及面板 - 凯诗杆型把手
- EX27039T-9 入墙式恒温浴缸花洒阀芯及面板 - 凯诗柱型把手

#### 安装之前

所有的资料是按最新出版的产品资料编写而成。科勒公司保留任何时候不经通知即可改变产品特性、包装或产品可供类型的权利。

说明书包括重要的安装、保养及清洁方面的内容，请把这些资料交给用户阅读。

#### 注意事项：

1. 一定要先彻底冲洗供水管以清除管道中的杂质。
2. 检查供水管有无损坏和漏水。如需要，进行替换和维修。
3. 遵守当地管路安装条例。切断主供水源。
4. 埋墙前测试安装连接部位是否有渗漏，根据需要修理之。
5. 本产品只接受水压测试，且测试前需先排空管路龙头之间的空气。测试水压不超过0.8MPa，时间不超过30分钟。

#### 使用环境

1. 最小供水压力：0.05MPa(0.5bar)。
2. 推荐冷热供水压力：0.3MPa(3bar)。
3. 如果供水压力大于0.5MPa(5bar)，安装减压阀。
4. 冷热供水的压力差不大于0.2MPa(2bar)。
5. 热供水温度最低：50°C；最高：70°C。
6. 推荐的热供水温度：60°C。
7. 温度调整的基本范围为：20°C到49°C。
8. 安全限位温度：37°C

#### BEFORE YOU BEGIN

All information is based on the latest product information available at the time of publication. Kohler Co. reserves the right to make changes in product characteristics, packaging, or availability at any time without notice.

Please leave these instructions for the consumer. They contain important information.

#### NOTES:

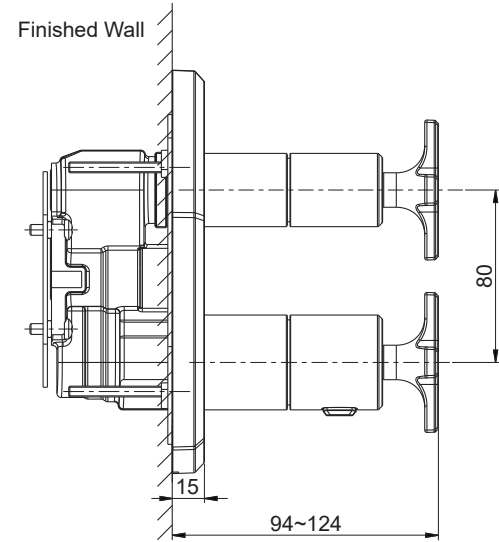
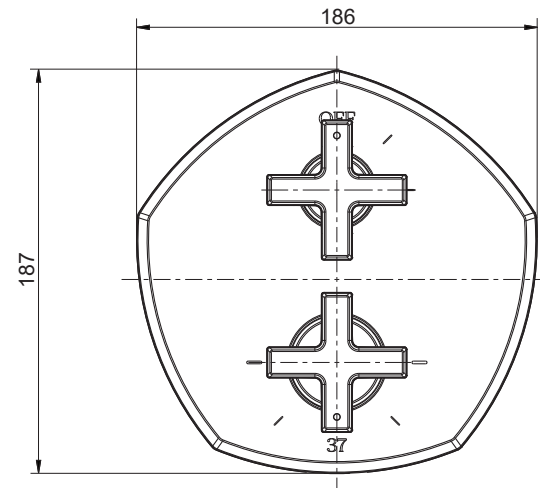
1. Flush the water supply pipes thoroughly to remove debris.
2. Inspect the supply tubing for damage and leakage. Replace and maintain as necessary.
3. Observe local plumbing codes. Shut off the main water supply.
4. Check for leaks before covering the pipes, repair as needed.
5. Please ensure only apply water pressure test on the product, and empty the air in pipe and faucet thoroughly before the test. Please ensure test pressure below 0.8MPa and test duration within 30 minutes.

#### OPERATION CONDITION

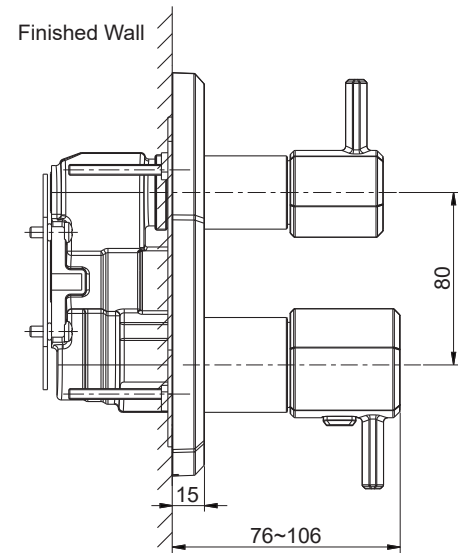
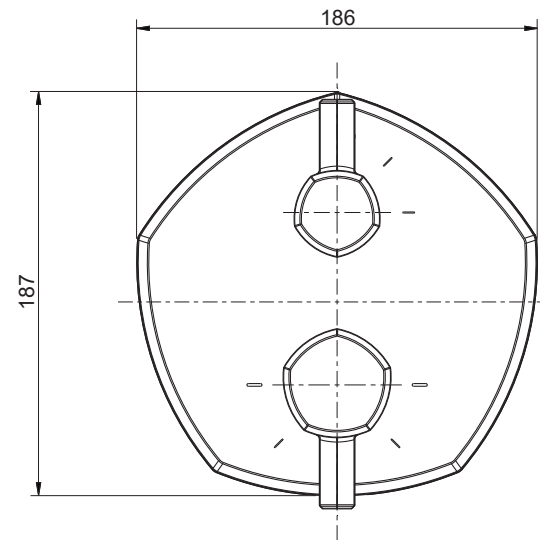
1. Minimum supply pressures: 0.5bar.
2. Recommended supply pressures: 3bar on hot and cold water.
3. If supply pressure higher than 5bar: install a pressure reducer.
4. Pressure difference between hot and cold supply: 2bar maximum.
5. Hot supply water temperatures, minimum: 50°C, maximum: 70°C.
6. Recommended hot supply water temperature: 60°C (energy-saving).
7. Setting range, approximately: 20°C to 49°C.
8. Safety stop at: 37°C.

安装尺寸 (EX27038T)

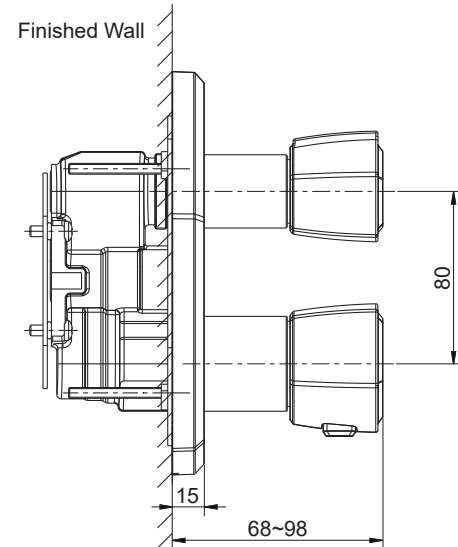
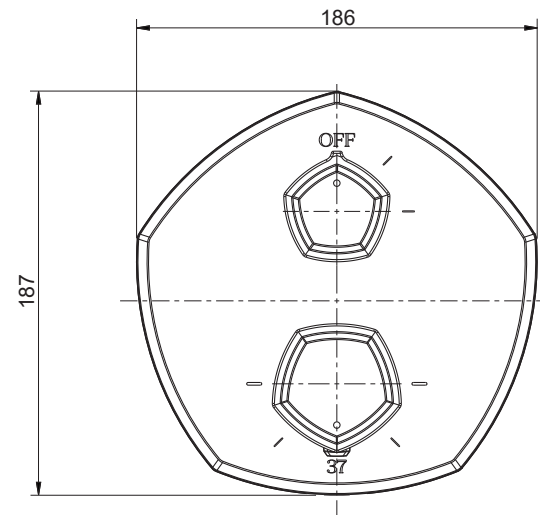
ROUGH-IN DIMENSIONS (EX27038T)



EX27038T-3



EX27038T-4



EX27038T-9

**KOHLER**<sup>®</sup>

SERVICE PARTS

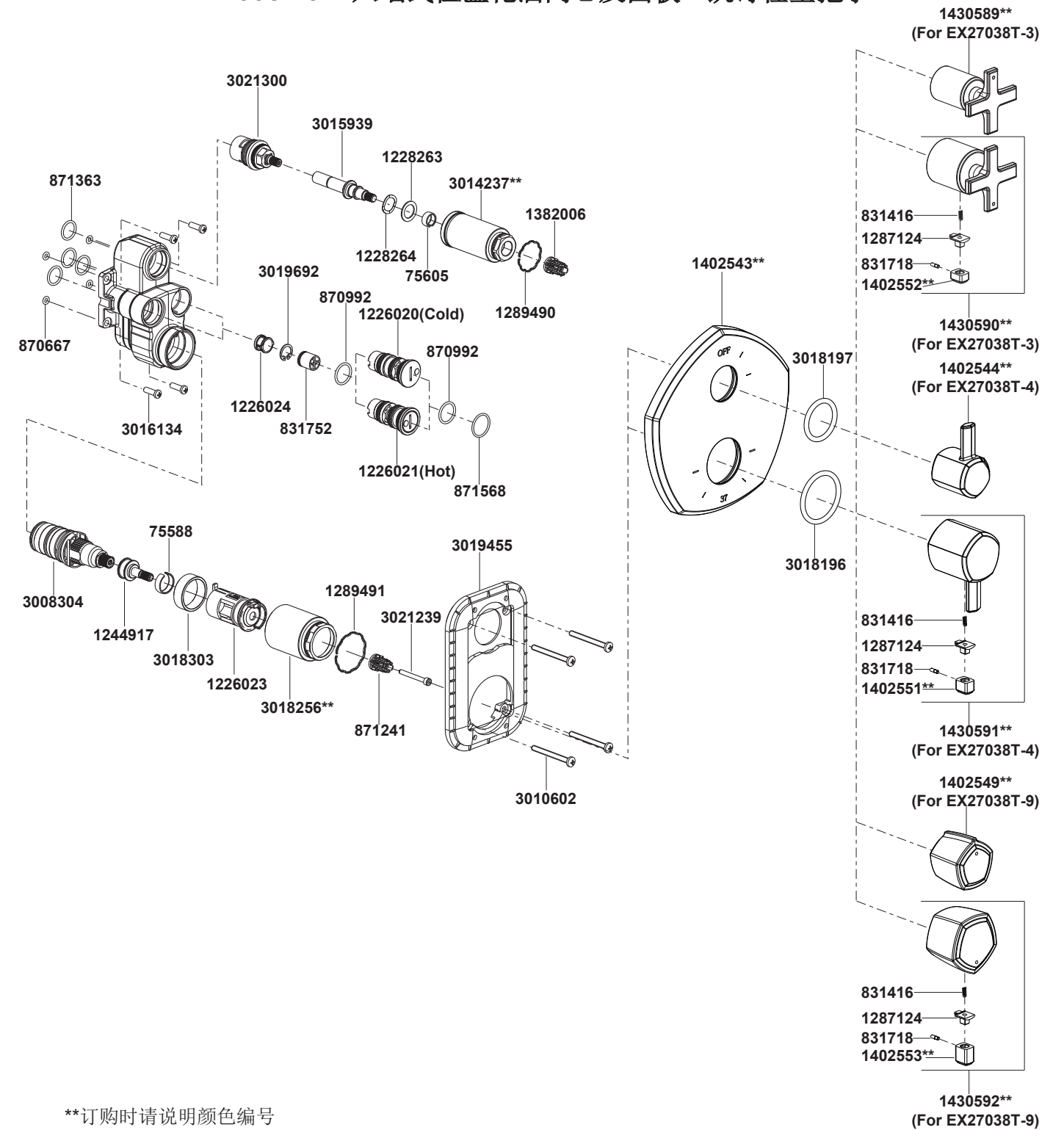
零件图

智配

**MODULO**

Recessed Thermostatic Shower Valve & Trim

- EX27038T-3 入墙式恒温花洒阀芯及面板 - 凯诗十字型把手
- EX27038T-4 入墙式恒温花洒阀芯及面板 - 凯诗杆型把手
- EX27038T-9 入墙式恒温花洒阀芯及面板 - 凯诗柱型把手

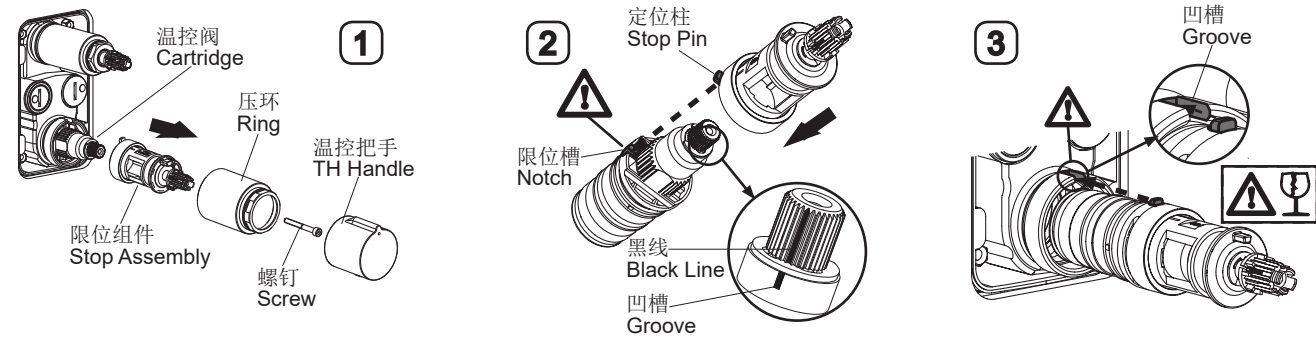


\*\*订购时请说明颜色编号

\*\*Color code must be specified when ordering

## 维护和保养

## INSTALLATION



### 温控阀清洗

如供水的水质较硬或长时间使用，水垢或杂质会阻塞温控阀上的滤网，流量降低。需要清理请按照以下步骤进行：

关闭供水系统，使流量阀处于打开位置后进行温控阀的拆卸作业。温控阀是较敏感的配件，所以要十分小心。

拆卸前确保使把手手柄或激光标向上与面板上的数字37标识对齐。拔下温控把手组件，然后将压环、螺钉和限位组件卸下(图1)。小心地卸下温控阀用热醋进行清洗。

清洗后，确保阀轴花键上的黑线标识与阀芯塑料套上的凹槽对齐。将限位组件装到温控阀上，使塑料套的定位柱嵌入温控阀的限位槽内(图2)。然后将塑料套的定位柱与本体孔内凹槽对齐(图3)，装入温控阀并锁紧压环和螺钉。装回温控把手组件，使把手手柄或激光标向上与面板上数字“37”对齐。

### Clean Thermostatic Cartridge

Very hard water can obstruct the filters on thermostatic cartridge and reduce the water flow. Please clean the cartridge as follows:

Shut off the water supplies of the faucet and open the flow valve, then proceed to remove the cartridge. The cartridge is sensitive part, please be careful.

Ensure the handle or laser engraving is aligned with the number 37 on faceplate before your action. Remove the temperature handle kit. Remove ring, screw and stop assembly(Fig.1). Remove the thermostatic cartridge cautiously. Clean the thermostatic cartridge by soaking it in warm vinegar.

After cleaning, ensure the black line is correctly in line with the groove. Install the “stop assembly” back on the cartridge, adjusting the stop pin into the notch (Fig.2). Install the cartridge and stop assembly into the body, adjust the stop pin into the notch(Fig.3). Reinstall the ring and screw. Reinstall the temperature handle kit and align the handle or laser engraving to the “37” on the faceplate.

## 安装结果检查

## INSTALLATION CHECKOUT

检查并确保所有的衔接处都已拧紧。确保把手在关闭位置。

Ensure that all coupling nuts are tight. Ensure that the handle is in the off position.

打开排水系统和主要供水源，检查并修理有漏水的接口。

Turn on the main water supply, and check for leaks. Repair as needed.

## 清洗说明

## CLEANING INSTRUCTIONS

适用于所有加工处理过的表面：以中性肥皂水清洗镀层表面，再以干净的软布彻底擦干整个表面，许多清洁剂，比如氨水、去污粉及洁厕灵等，会对电镀表面造成伤害，切忌使用。

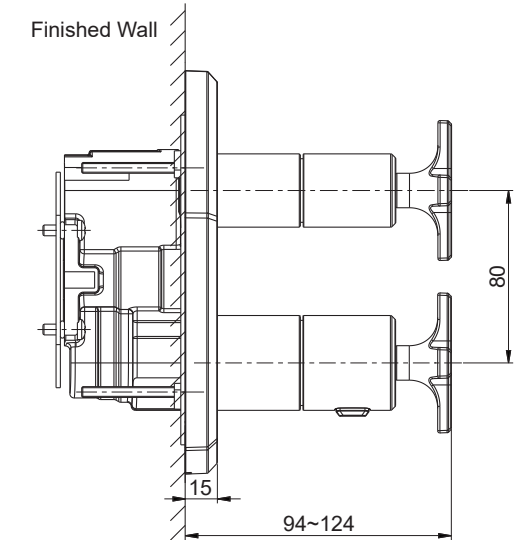
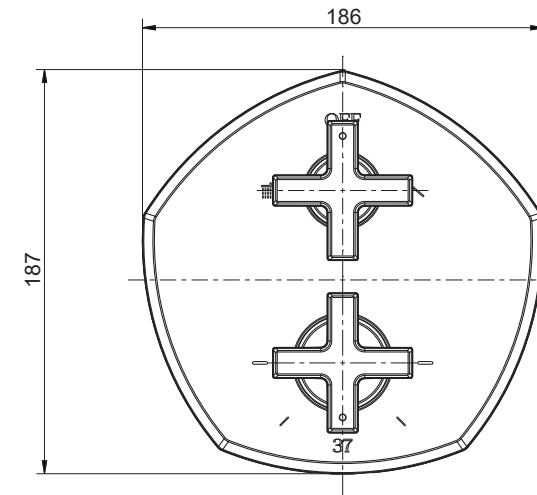
All Finishes: Clean the finish with mild soap and warm water. Wipe entire surface completely dry with clean soft cloth. Many cleaners may contain chemicals, such as ammonia, chlorine, toilet cleaner etc. which could adversely affect the finish and are not recommended for cleaning.

有磨损性的清洁用具或清洁剂也不可适用于科勒牌的水龙头及其配件上。

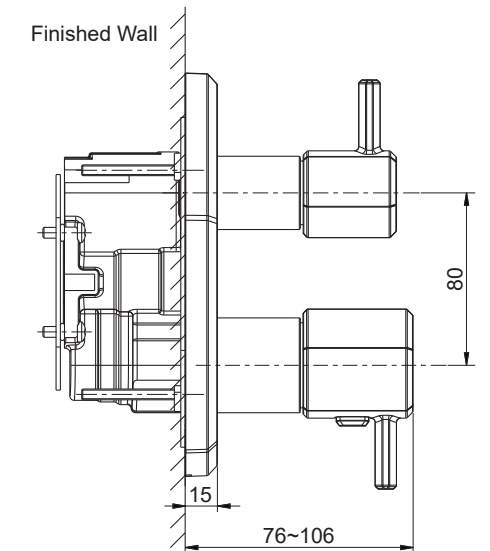
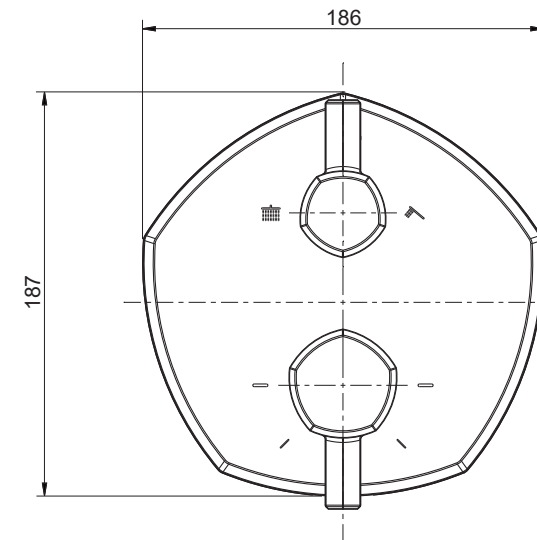
Do not use abrasive cleaners or solvents on Kohler faucets and fittings.

## 安装尺寸(EX27039T)

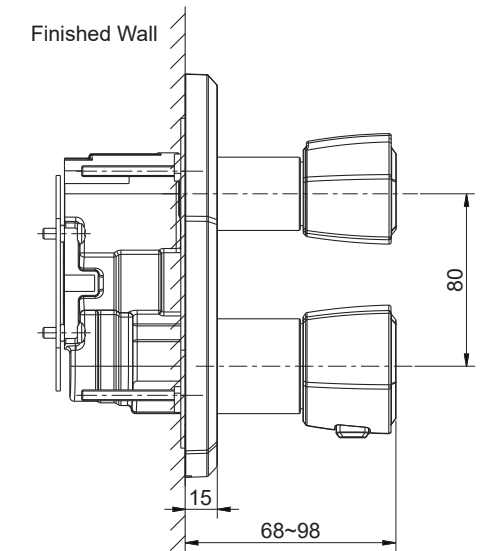
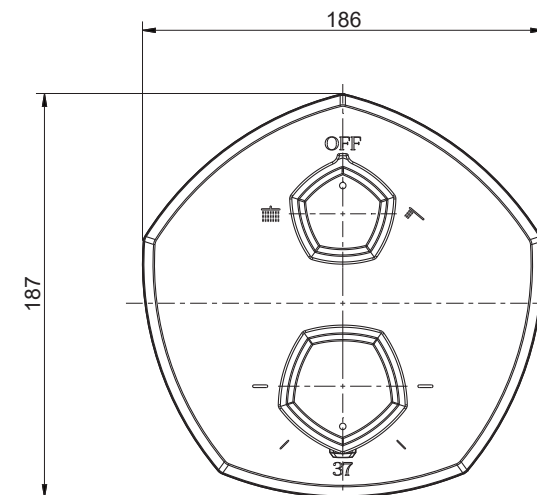
## ROUGH-IN DIMENSIONS (EX27039T)



EX27039T-3



EX27039T-4



EX27039T-9

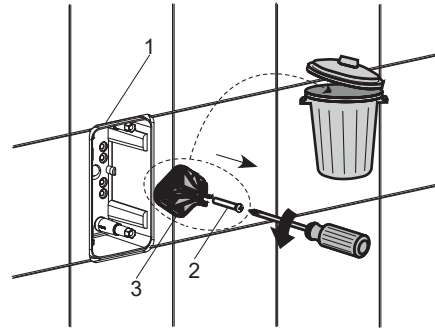


## 安装步骤

## INSTALLATION

**注意：** 参照98699T-B-NA安装尺寸安装安装盒(1)。

待墙面装修好后，切掉安装盒凸出墙面的部分，用螺丝刀旋松螺钉(2)，将保护组件(3)取下。



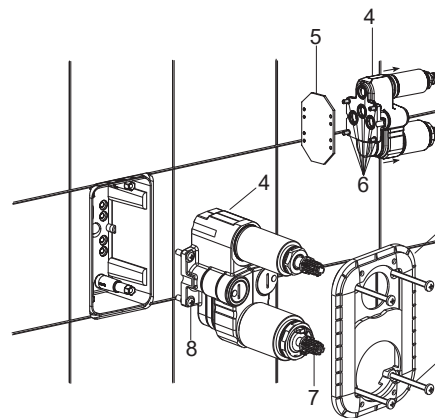
**NOTE:** Install the mounting box kit(1) according to the rough-in dimensions of 98699T-B-NA.

Cut the protrudent part of the mounting box kit out of the finished wall. Unscrew the screw(2), remove the protect cover kit(3).

取下阀体组件(4)底部的保护板(5)，**注意：** 不要弄丢底部O型圈(6)，安装过程中不要转动阀轴花键(7)。

阀体底部各孔对准安装盒底部各孔，将阀体装入安装盒，锁紧螺钉(8)。

将安装盘组件(9)套入阀体，将其后推直至与墙面接触。用螺钉(10，长50mm)固定安装盘组件。



Remove the protection(5) on the valve kit(4). **NOTE:** Don't drop the O-rings(6). Don't turn the cartridge spine(7) when installing it.

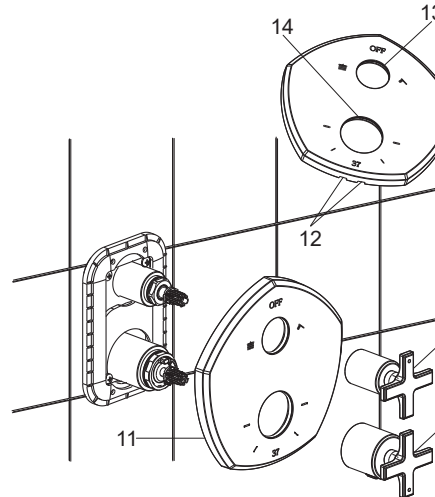
The holes on the bottom of the valve kit should be aligned with the holes in the mounting box. Install the valve kit into the mounting box kit, tighten the screws(8).

Slide the cover kit(9) onto the valve. Push it until it is against the wall. Secure it with the screws(10).

将面板(11)套在阀体上，使开槽(12)向下(**注意：** 不要弄丢孔内O型圈(13, 14))。将其后推直至与墙面接触。

将把手(15, 16)装到阀轴上。

把手上的圆点标识如图所示。

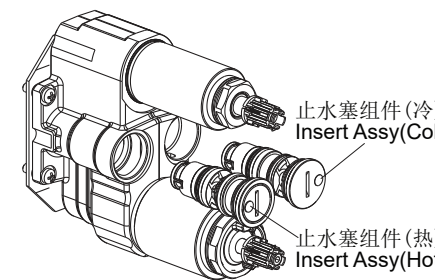


Slide the faceplate(11) onto the valve with slots(12) downwards. **NOTE:** Don't squeeze out the rings(13, 14). Push it until it is against the wall.

Install the handle(15, 16) on the cartridge spindle.

The round marks on the handles are shown in the figure.

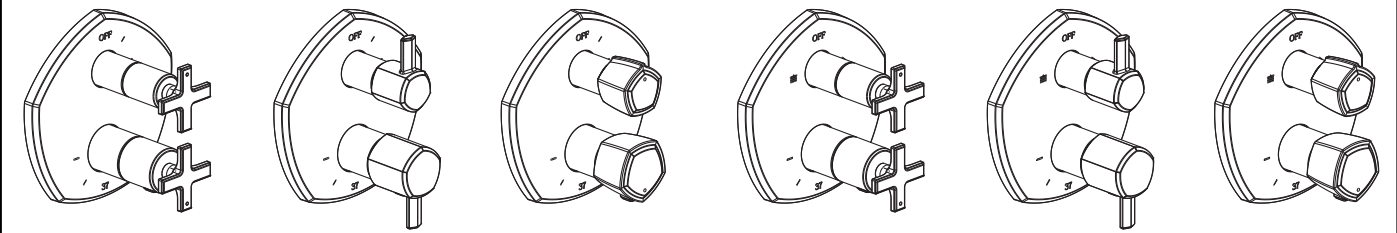
**注意：** 安装过程中，若发现冷热水管反接，可通过调换冷热止水塞组件位置，使面板正常工作。如图所示。



The illustrations shown is the correct position of the handles in the off position.

把手安装后的状态如图所示。

The illustrations shown is the correct position of the handles in the off position.



EX27038T-3

EX27038T-4

EX27038T-9

EX27039T-3

EX27039T-4

EX27039T-9

## 使用说明

## OPERATION INSTRUCTION

慢慢旋转温控把手即下把手来调整温度。安全限位温度为37°C。如果想得到更高的温度，按着把手上的按钮同时旋转把手调整。

The temperature is set by slowly turning the temperature handle(lower handle). For safety reasons, there is a stop limits temperature to 37°C. To get a higher temperature, push the button and continue turning the temperature handle.

水流量和出水方式是通过流量把手即上把手来控制。

Water flow is set by turning the flow handle(upper handle).

## 温度测试与调整

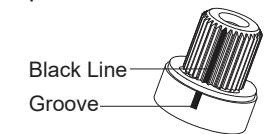
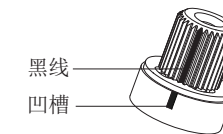
## Temperature Verification and Setting

在安装调试时，必须严格遵循以下步骤，否则洗浴时温度将会高出预期。

The installer MUST carry out the below steps during commissioning of the valve. Failure to do so may lead to higher than expected temperatures during showering.

安装温控把手前必须检查并确保阀芯塑料套上的凹槽和阀轴花键上的黑线是对齐的。

There is a black line and a groove on the spline and valve. CHECK these are both in alignment prior to installing the temperature handle.



温控把手安装后用温度计测量出水温度。在温度测试前，应确保供水系统充分，且热水具有推荐的温度范围内的较高的温度。温控把手朝向37°C位置(钟表指针12点方向)且处于安全限位时，出水端出水温度应在36~38°C范围内。

With the handle installed MEASURE the outlet temperature with a thermometer. Make sure that the water feeds of the faucet have reached the highest temperature but within the recommended range by running the water sufficiently. With the selector pointing towards the 37°C setting (12 O'clock on the clockface) and turning against temperature safety stop, the temperature of the water should be within the range of 36°C to 38°C.

如果温度超出了这个范围，要进行以下调整：

If this temperature is out of range, the setting should be adjusted as follows...

- 取下温控把手组件。
- 由冷水位置开始慢慢转动温控阀轴花键直至获得37°C水流。
  - 如出水温度超过37°C，回到冷水位置重新调整。
- 温度稳定后，测量并确保出水水温是37°C。
- 不要转动温控阀轴，安装温控把手组件使把手朝向37°C标志。

- Remove the temperature handle.
- Starting at the coldest setting, slowly turn the spline until 37°C is reached.
  - If you go beyond 37°C, return to coldest setting and start again.
- MEASURE temperature once stable, confirming 37°C.
- Without moving the spline, reinstall temperature handle with the selector pointing towards the 37°C setting.