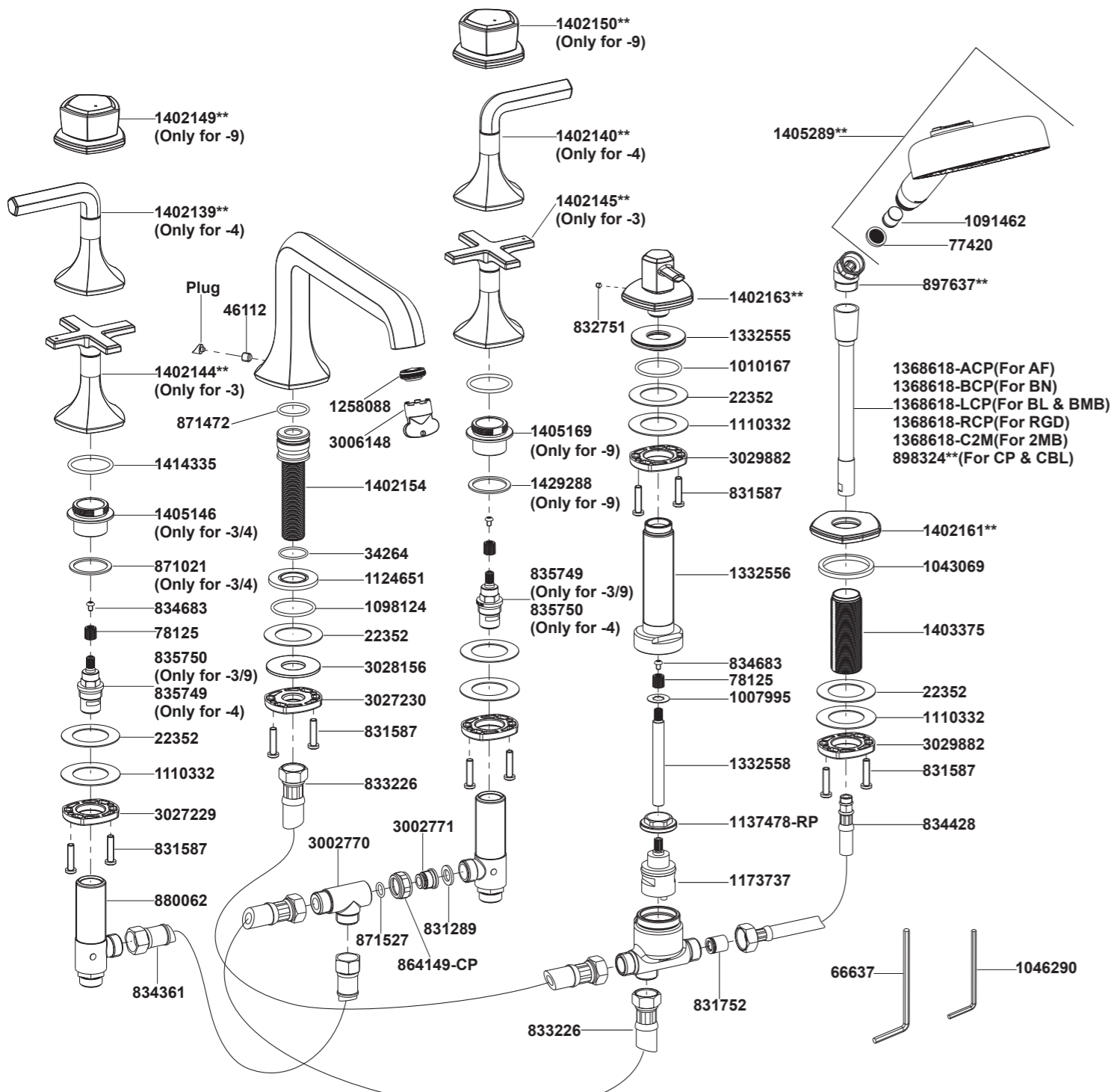


- EX27114T-3 5孔双把缸边式浴缸花洒龙头(直杆型出水嘴, 十字型把手)
- EX27114T-4 5孔双把缸边式浴缸花洒龙头(直杆型出水嘴, 杆型把手)
- EX27114T-9 5孔双把缸边式浴缸花洒龙头(直杆型出水嘴, 柱型把手)



**订购时请说明颜色编号

**Color code must be specified when ordering

Plug	1402155	1423195	1423196
Finish	CP, BN, CBL	AF, RGD, 2MB	BL, BMB

- EX27108T-3 5孔双把缸边式浴缸花洒龙头(曲管型出水嘴, 十字型把手)
- EX27108T-4 5孔双把缸边式浴缸花洒龙头(曲管型出水嘴, 杆型把手)
- EX27108T-9 5孔双把缸边式浴缸花洒龙头(曲管型出水嘴, 柱型把手)
- EX27114T-3 5孔双把缸边式浴缸花洒龙头(直杆型出水嘴, 十字型把手)
- EX27114T-4 5孔双把缸边式浴缸花洒龙头(直杆型出水嘴, 杆型把手)
- EX27114T-9 5孔双把缸边式浴缸花洒龙头(直杆型出水嘴, 柱型把手)

安装之前

所有的资料是按最新出版的产品资料编写而成。科勒公司保留任何时候不经通知即可改变产品特性、包装或产品可供类型的权利。

说明书包括重要的安装、保养及清洁方面的内容, 请把这些资料交给用户阅读。

注意事项:

1. 一定要先彻底冲洗供水管以清除管道中的杂质。
2. 尽可能在安装浴缸之前安装水龙头。
3. 检查供水管有无损坏漏水。如需要, 进行替换维修。
4. 遵守当地管路安装条例。
5. 切断供水管路。
6. 花洒最高工作压力: 0.5MPa(5bar)。水压超过0.5MPa(5bar)时必须安装减压阀。花洒最高工作温度及环境温度: 60°C。请特别注意花洒同花洒连接的臂管须远离浴霸, 否则可能损坏花洒及其密封件, 甚至对使用者造成伤害。

BEFORE YOU BEGIN

All information is based on the latest product information available at the time of publication. Kohler Co. reserves the right to make changes in product characteristics, packaging, or availability at any time without notice.

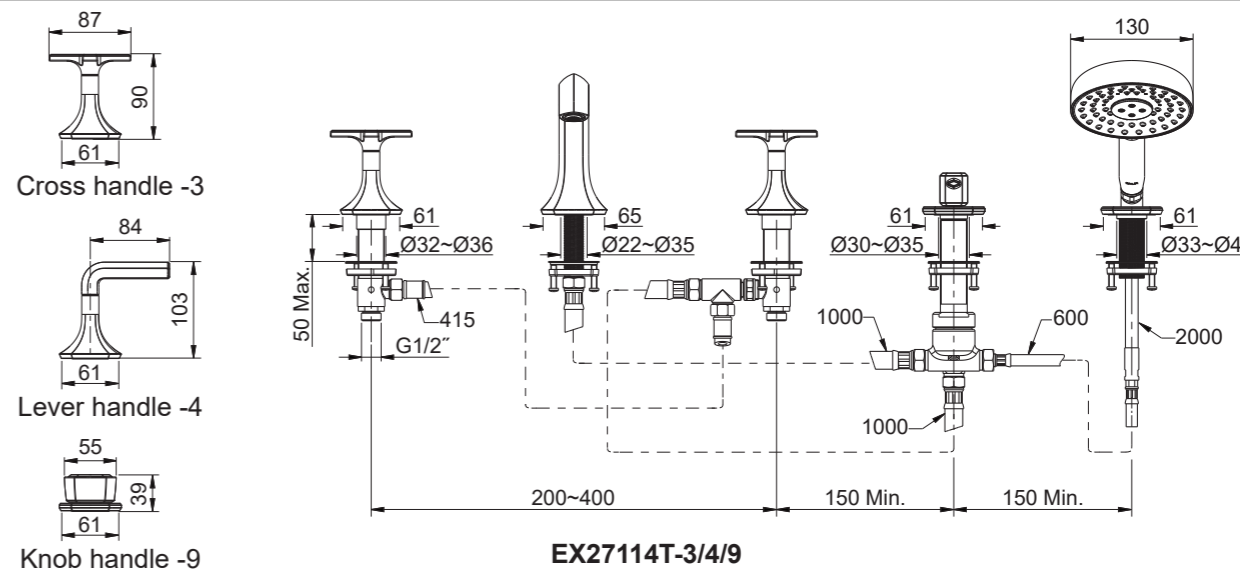
Please leave these instructions for the consumer. They contain important information.

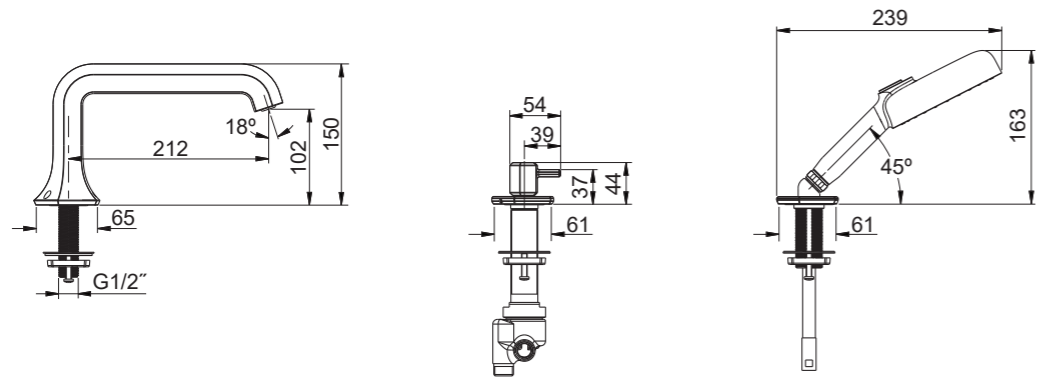
NOTES:

1. Flush the water supply pipes thoroughly to remove debris.
2. If possible, install this faucet before installing bathtub.
3. Inspect the supply tubing for damage and leakage. Replace and maintain as necessary.
4. Observe local plumbing codes.
5. Shut off the water supplies to the fitting.
6. The highest working pressure for handshower is 0.5MPa(5bar). If it exceeds 0.5MPa(5bar), a pressure reducer is needed. The highest water and environment temperature is 60°C. Please keep handshower, showerhead and shower arm away from heater, or it may become damaged and cause injury to the user.

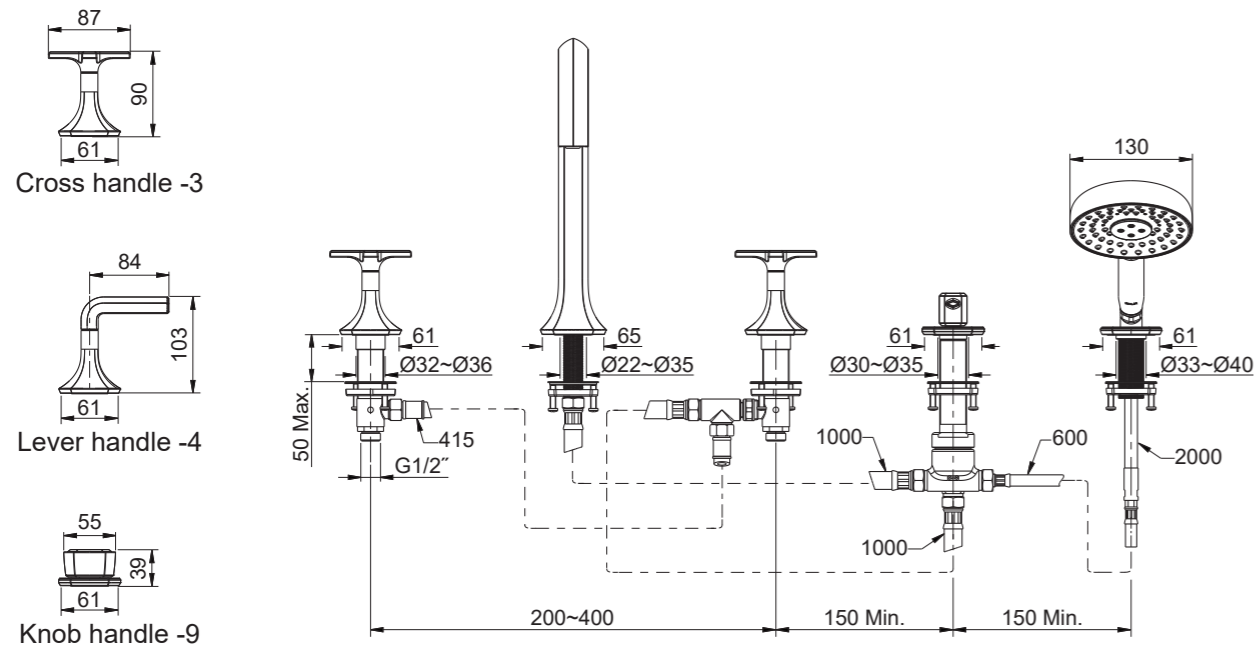
安装尺寸

ROUGH-IN DIMENSIONS

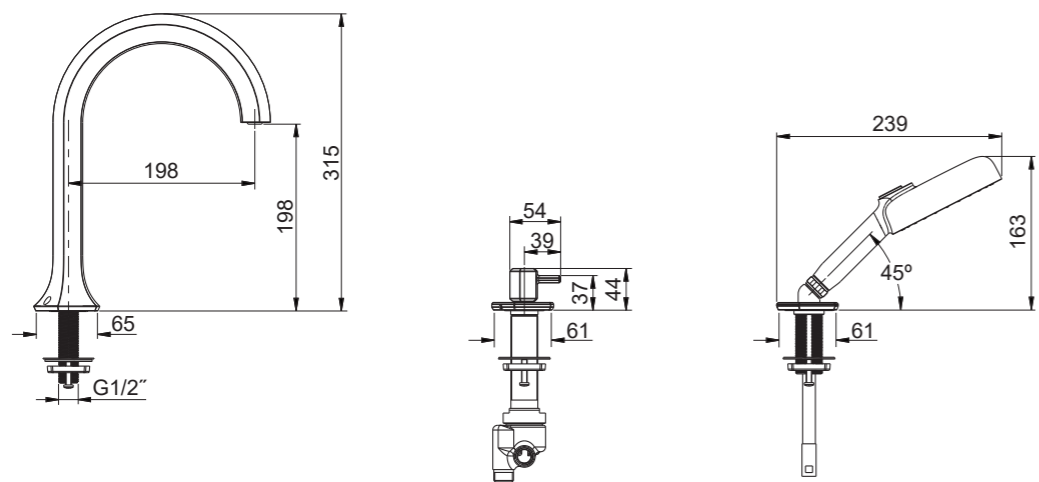




EX27114T-3/4/9



EX27108T-3/4/9



KOHLER®

SERVICE PARTS

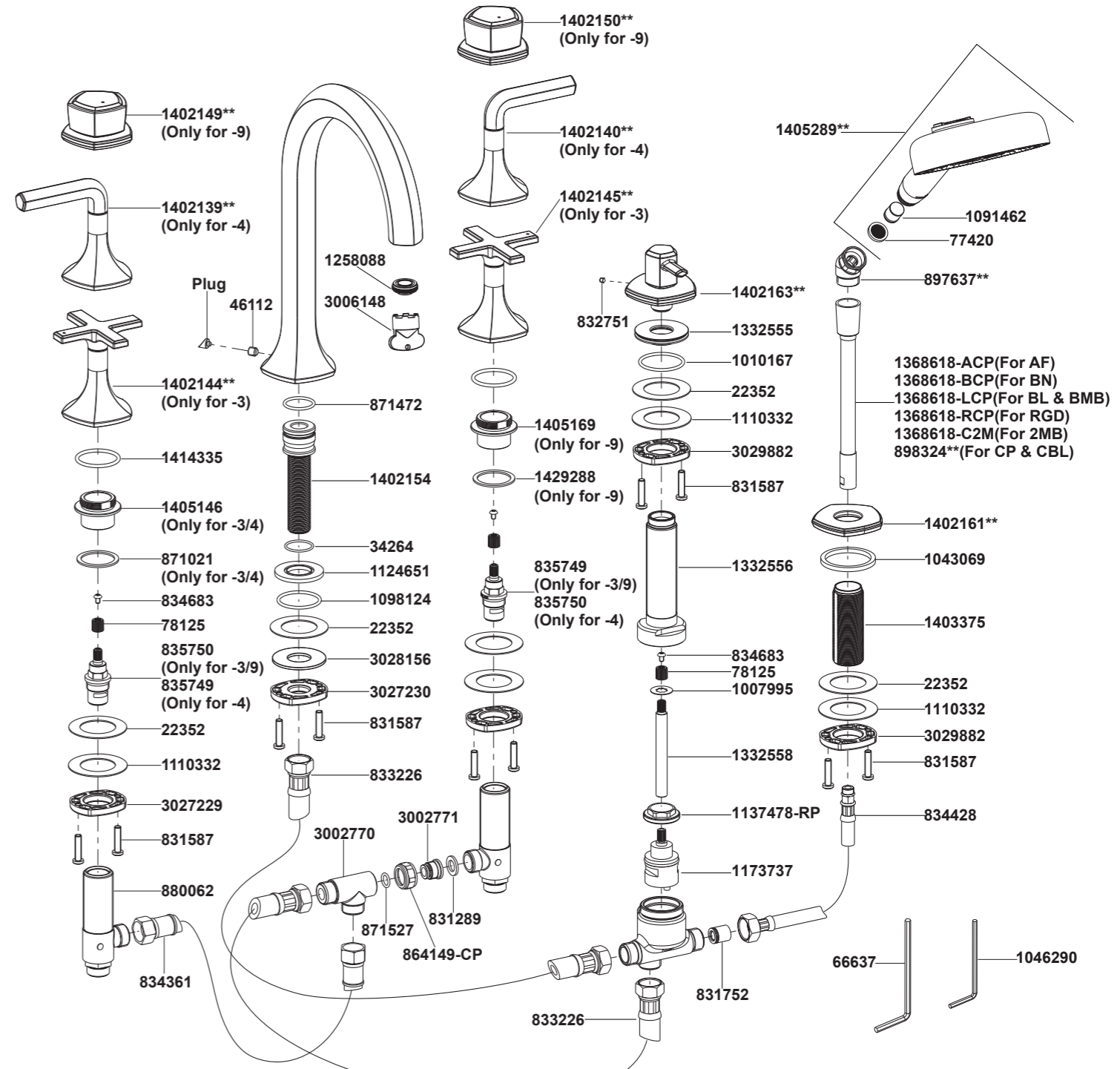
零件图

凯诗

OCCASION

Deck Mount Bath Shower Faucet

- EX27108T-3 5孔双把缸边式浴缸花洒龙头(曲管型出水嘴, 十字型把手)
- EX27108T-4 5孔双把缸边式浴缸花洒龙头(曲管型出水嘴, 杆型把手)
- EX27108T-9 5孔双把缸边式浴缸花洒龙头(曲管型出水嘴, 柱型把手)



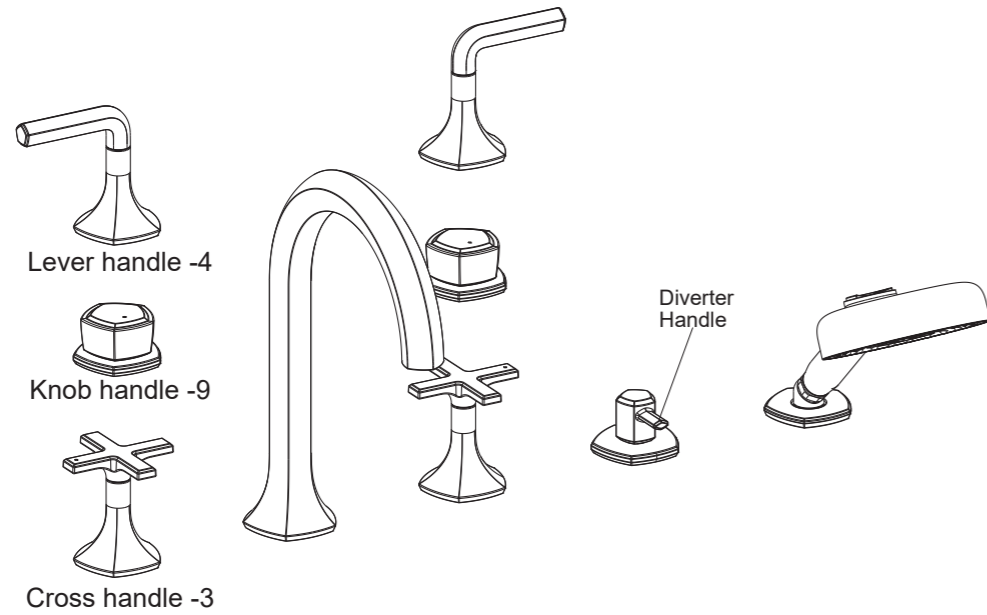
**订购时请说明颜色编号

**Color code must be specified when ordering

Plug	1402155	1423195	1423196
Finish	CP, BN, CBL	AF, RGD, 2MB	BL, BMB

使用说明

OPERATION INSTRUCTIONS



对于杆型把手-4，逆时针旋转左把手为热水，顺时针旋转右把手为冷水。

For lever handle -4, turn the left handle counter-clockwise for hot water, turn the right handle clockwise for cold water.

对于十字型和柱型把手-3/9，顺时针旋转左把手为热水，逆时针旋转右把手为冷水。

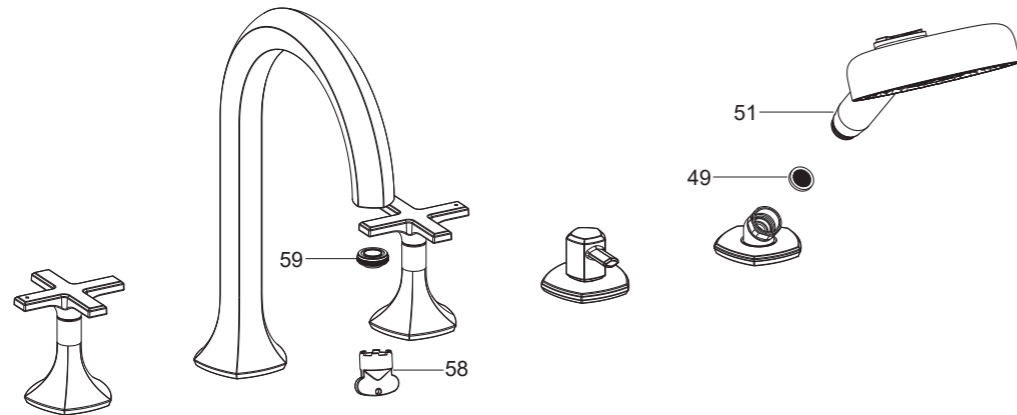
For cross/knob handle -3/9, turn the left handle clockwise for hot water, turn the right handle counter-clockwise for cold water.

顺时针旋转切换把手浴缸出水嘴出水，逆时针旋转切换把手手持花洒出水，切换把手位于中间位置，浴缸出水嘴及花洒同时出水。

Turn the diverter handle clockwise for bath spout, counter-clockwise for handshower, middle position for both.

安装结果检查

INSTALLATION CHECKOUT



检查并确保所有衔接螺母都已拧紧，确保把手在关闭位置。

Ensure that all connections are tight. Ensure that the handles are in the off position.

用起泡器工具(58)卸下起泡器(59)，并卸下手持花洒(51)。

Uninstall the aerator(59) with key(58). Uninstall the handshower(51).

打开主供水源，检查渗漏。打开冷热水阀，使水流过出水嘴，去除杂物。切换到手持花洒，去除杂物，清洗垫片(49)，关闭阀。重新装回起泡器及手持花洒。

Turn on the main water supply and check for leaks. Open valves and run water through the spout to remove any debris. Switch to handshower and remove debris from washer(49). Turn off the valves. Reinstall the aerator and handshower.

安装步骤

INSTALLATION

如何安装阀体和把手

确保垫片(1)、钢垫(2)和安装环(3)依次装在阀体组件(4)上。从浴缸下方将阀体组件装入安装孔。**注意：**面向龙头时，有红色标记的阀体组件装在左侧，与热水源连接。

How to Install the Valve Bodies and Handles

Ensure the washer(1), steel washer(2) and threaded ring(3) are on the valve body(4). From underside, install the valve body into the mounting hole. **NOTE:** The valve body with red mark should be installed on the left side and connected with hot water.

对于十字型和杆型把手，将橡胶垫片(5)装到螺母(6)底部凹槽中；对于柱型把手，将O型圈(7, 8)分别装到螺母(9)顶部和底部凹槽中。从浴缸上方将螺母旋到阀体组件。

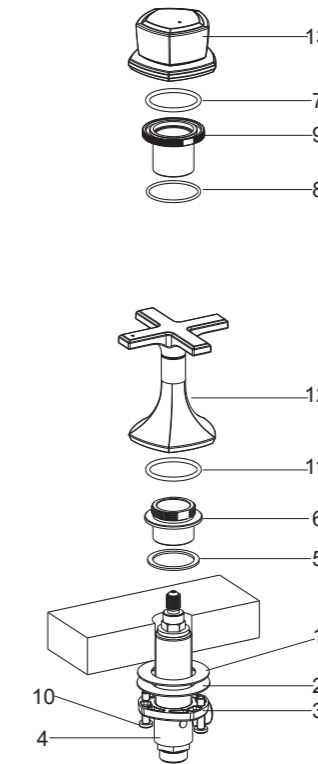
For cross/lever handle, put the rubber washer(5) into the bottom groove of the nut(6). For knob handle, put the O-rings(7, 8) into the top and bottom grooves of the nut(9). From upside, tighten the nut onto the valve body.

根据软管安装需要，适当调整阀体出水口朝向。拧紧螺钉(10)以固定阀体组件。

Adjust the outlet of valve body to connect hose easily. Secure the valve body by tightening the screws(10).

对于十字型和杆型把手，将O型圈(11)装入把手组件(12)底部凹槽中。确保阀芯处于关闭状态，将把手组件(12或13)安装在螺母上并旋紧。调整把手至图示方向。**注意：**带有红色圆点的把手装在左侧。

For cross/lever handle, put the O-ring(11) into the bottom groove of the handle kit(12). Tighten the handle kit(12 or 13) onto the nut with the valve closed. Adjust the handle position as shown. **NOTE:** The handle kit with red mark should be installed on the left side.



如何安装出水嘴

将O型圈(14, 15)分别嵌入垫片(16)顶部和底部凹槽中。从台面上方将牙管(17)穿过垫片(16)插入安装孔中。

How to Install the Spout

Put the O-rings(14, 15) into the top and bottom grooves of the washer(16). From upside, insert the shank(17) through the washer(16) into the mounting hole.

确保螺钉(18)部分旋入安装环(19)。从台面下方依次安装垫片(20)、钢垫(21)和安装环，拧紧螺钉(18)以固定牙管。

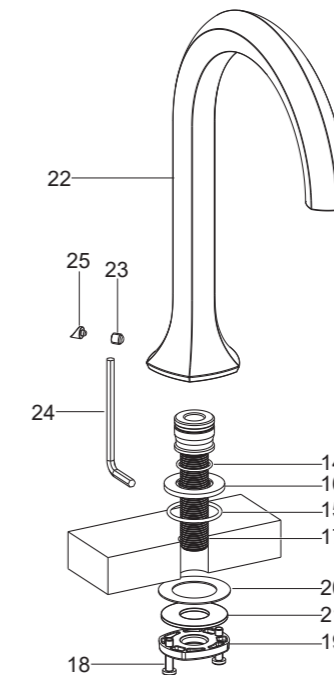
Partially thread the screws(18) into the threaded ring(19). From underside, install the washer(20), steel washer(21) and threaded ring. Secure the shank by tightening the screws(18).

将出水嘴(22)方向水平地按在牙管上，直至与台面接触。

Press the spout(22) onto the shank until it contacts the deck.

调整出水嘴位置，使出水嘴朝向正前方，把螺钉(23)对准出水嘴上的螺钉孔，用六角扳手(24)拧紧螺钉，塞入塞扣(25)。

Position the spout and keep it frontwards. Align the screw(23) to the screw hole of the spout and then tighten it with hex wrench(24). Insert the plug(25).



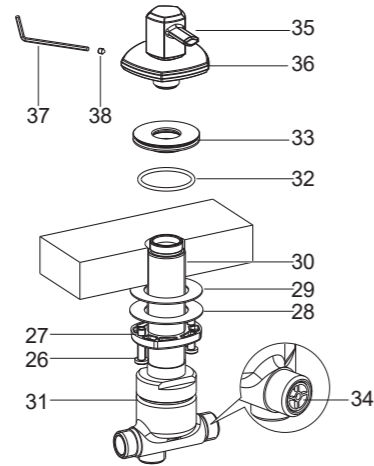
如何安装分水器切换阀体

将螺钉(26)部分旋入安装环(27)。依次将安装环、钢垫(28)和垫片(29)装到连接杆(30)上。将分水器组件(31)从浴缸下方插入安装孔。

将O型圈(32)装到螺母(33)底部凹槽中,从浴缸上方将装有O型圈的螺母旋到连接杆上。拧紧螺钉(26)以固定分水器组件。

注意: 分水器上装有单向阀(34)的一端连接花洒软管。

将把手组件(35)方向水平地安装在螺母(33)上。调整把手底座(36)至图示方向,用六角扳手(37)拧紧螺钉(38)以固定把手组件。



How to Install the Diverter Body

Partially thread the screws(26) into the threaded ring(27). Install the threaded ring, steel washer(28) and washer(29) on the shank(30). From underside, install the diverter assembly(31) into the mounting hole.

Put the O-ring(32) into the groove of the nut(33). From upside, tighten the nut with O-ring onto the shank. Secure the diverter assembly by tightening the screws(26).

NOTE: The end with check valve(34) in diverter is connected to shower hose.

Press the handle kit(35) onto the nut(33). Position the handle base(36) as shown. Secure the handle kit by tightening the screw(38) with hex wrench(37).

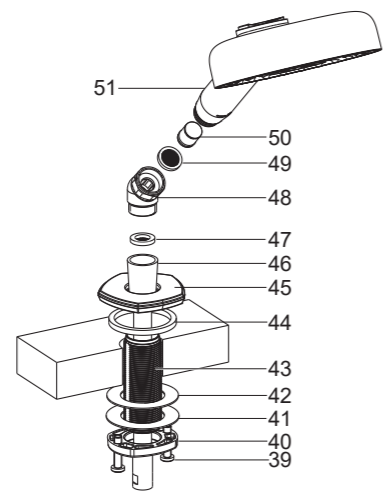
如何安装手持花洒

确保螺钉(39)部分旋入安装环(40)。依次将安装环、钢垫(41)和垫片(42)装到牙管(43)上。将牙管从浴缸下方插入安装孔。

将垫片(44)置于装饰盖(45)底面凹槽内。将装有垫片的装饰盖旋到牙管上,拧紧螺钉(39)。

先将花洒软管(46,长:2000mm)随附垫片(47)装入花洒软管,再将其连接到弯头组件(48),接着穿过装饰盖和牙管。

将垫片(49)放入弯头组件接头内。根据是否需要选择是否将单向阀(50)放入手持花洒(51)进水端,连接弯头组件和手持花洒。



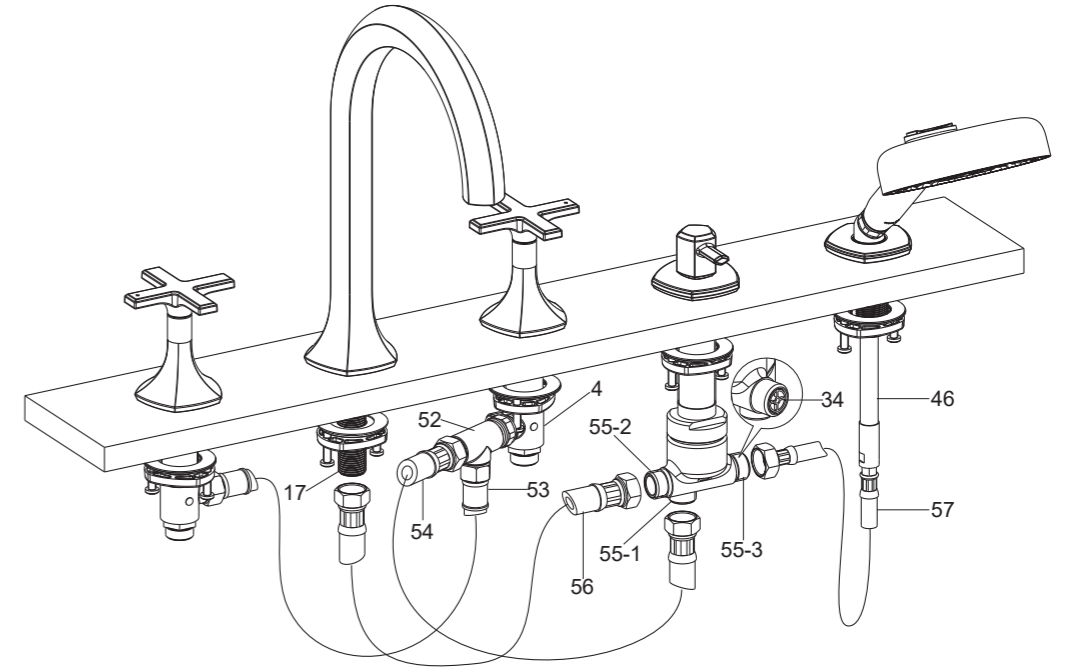
How to Install the Handshower

Partially thread the screws(39) into the threaded ring(40). Install the threaded ring, steel washer(41) and washer(42) on the shank(43). From underside, install the shank into the mounting hole.

Put the washer(44) into the groove of the escutcheon(45). Tighten the escutcheon with washer onto the shank. Tighten the screws(39) firmly.

Put the washer(47) into the shower hose(46, length: 2000mm). Connect the shower hose to the elbow assembly(48) firstly. Then slide the shower hose through the escutcheon and shank.

Put the washer(49) into the elbow assembly. Put the check valve(50) into the handshower(51) if needed. Connect the elbow assembly to the handshower.



如何连接软管

将T型接头(52)连接到一侧阀体组件(4)上。

用软管(53,长:415mm)将左右两侧阀体组件连接起来。

将软管(54,长:1000mm)一端与T型接头(52)连接,另一端与分水器底部接口(55-1)连接。

将软管(56,长:1000mm)一端与分水器出水口(55-2)连接,另一端与出水口牙管(17)连接。

将软管(57,长:600mm)一端与花洒软管(46,长:2000mm)连接,另一端与分水器花洒接口(55-3,带单向阀(34)一端)连接。

为保证水流顺畅,花洒抽取自如,应避免软管打结、缠绕。根据软管安装需要,可适当调整阀体组件出水口朝向。**注意:**软管只能用于指定部位。

How to Connect the Hoses

Connect the T-shaped supply(52) to one of the valve body(4).

Connect both two valve bodies with hose(53, length: 415mm).

Connect one end of the hose(54, length: 1000mm) to the T-shaped supply(52). Connect the other end to the bottom port(55-1) of the diverter.

Connect one end of the hose(56, length: 1000mm) to the diverter outlet(55-2). Connect the other end to the spout shank(17).

Connect one end of the hose(57, length: 600mm) to the shower hose(46, length: 2000mm). Connect the other end to the shower end(55-3, the end with check valve(34)) of the diverter.

In order to ensure the water flows smoothly and the handshower can be drawn out easily, the hoses should avoid kinking, twisting. To ease installation, you may adjust the outlet orientation of the valve bodies properly. **NOTE:** Hoses should be only used where indicated.

清洗说明

适用于所有加工处理过的表面:以中性肥皂水清洗镀层表面,再以干净的软布彻底擦干整个表面,许多清洁剂,比如氨水、去污粉及洁厕灵等,会对电镀表面造成伤害,切忌使用。

有磨损性的清洁用具或清洁剂也不可适用于科勒牌的水龙头及其配件上。

CLEANING INSTRUCTIONS

All Finishes: Clean the finish with mild soap and warm water. Wipe entire surface completely dry with clean soft cloth. Many cleaners may contain chemicals, such as ammonia, chlorine, toilet cleaner etc. which could adversely affect the finish and are not recommended for cleaning.

Do not use abrasive cleaners or solvents on Kohler faucets and fittings.