

## INSTALLATION INSTRUCTIONS

### 11829T-B Shower Column

#### BEFORE YOU BEGIN

All information is based on the latest product information available at the time of publication. Kohler Co. reserves the right to make changes in product characteristics, packaging, or availability at any time without notice.

Please leave these instructions for the consumer. They contain important information.

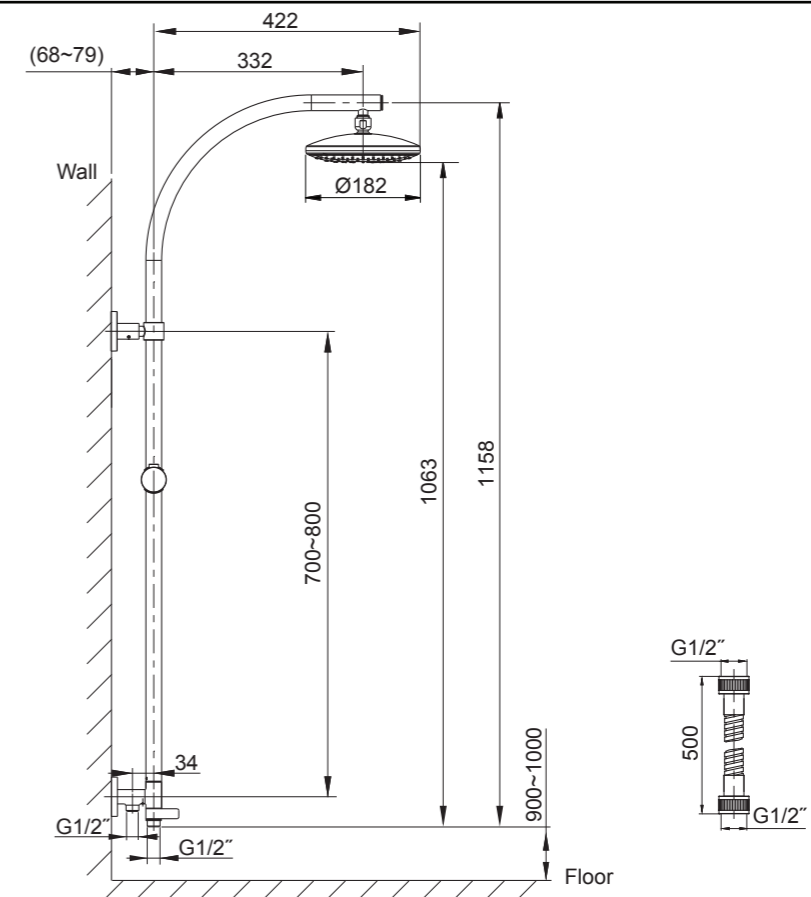
#### NOTES:

1. Shut off the water supplies to the fitting.
2. Inspect the supply tubing for damage. Replace as necessary.
3. Observe local plumbing codes.
4. Recommended minimum working pressure is 0.2~0.5MPa(2~5bar).
5. This faucet must work with a valve system (purchased separately) which has both on/off and hot/cold controls.
6. The highest working pressure for showerhead is 0.5MPa(5bar). If it exceeds 0.5MPa(5bar), a pressure reducer is needed. The highest water and environment temperature is 60°C. Please keep handspray, showerhead and the shower arm away from heater, or it may become damaged and cause injury to the user.

#### HANDLE OPERATION

Turn the diverter handle counter-clockwise, the back connector of the diverter works; turn it clockwise, showerhead works.

#### ROUGH-IN DIMENSIONS



## INSTALLATION

### How To Install The Shower Column

Select a location in vertical wall to install shower column according to rough-in dimensions.

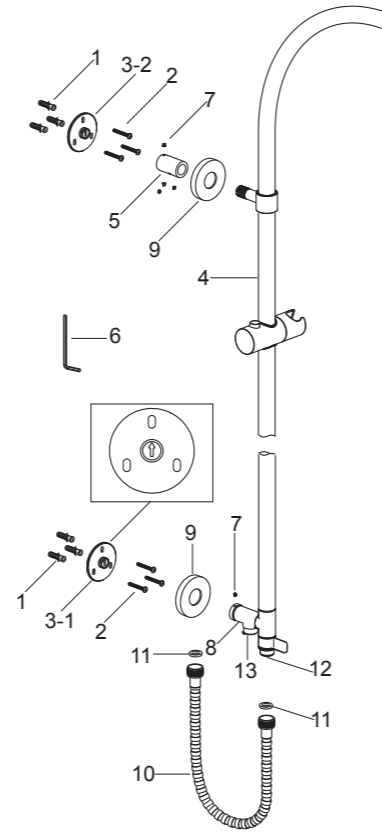
Drill the lower hole as anchors(1) diameter and lower base(3-1) position in the finished wall(**NOTE:** The arrow in the base is upward). Press anchors into the hole, secure the base by the screw(2).

Rehearse the slide bar kit(4) installation for the upper base(3-2) mounting location determination. Slide the tube joint(5) onto the slide bar kit, and connect them to the base(**NOTE:** The arrow in the base is upward). Install the screws(7) into the tube joint with the hex wrench(6), and tighten them.

Place the slide bar and the body against the finished wall. Connect the lower base and the diverter body kit(8). Position and tighten them by hex wrench. Mark the hole of upper base(3-2) with a pencil. Uninstall the slide bar kit and tube joint.(**NOTE:** Don't lose the screws.)

Drill holes on the mark. Press the anchors into the holes. Secure the upper base(3-2) by the screws. Install the tube joint(5) to the base(3-2) and tighten them by screws. Reinstall the slide bar kit with escutcheons (9) to the bases. Tighten the screws with the hex wrench. Screw the escutcheons with the bases until against the finished wall.

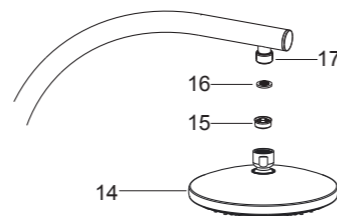
Connect the hose(10) with washers(11) between the mixer water supply and the connector(12). The connector(13) will be used for handspray connection.



### How To Install The Showerhead

Turn the diverter handle to showerhead(14) work, run hot and cold water for about one minute to remove any debris before the showerhead is installed.

Before installation, put the regulator(15) into the showerhead inlet if needed. Take out the washer(16) and install the regulator as shown, reinstall the washer. Tighten the showerhead onto the tube kit outlet(17) with strap wrench.



### INSTALLATION CHECKOUT

Ensure that all coupling nuts are tight. Close the valves. Turn on the main water supply, and check for leaks. Repair as needed.

### CLEANING INSTRUCTIONS

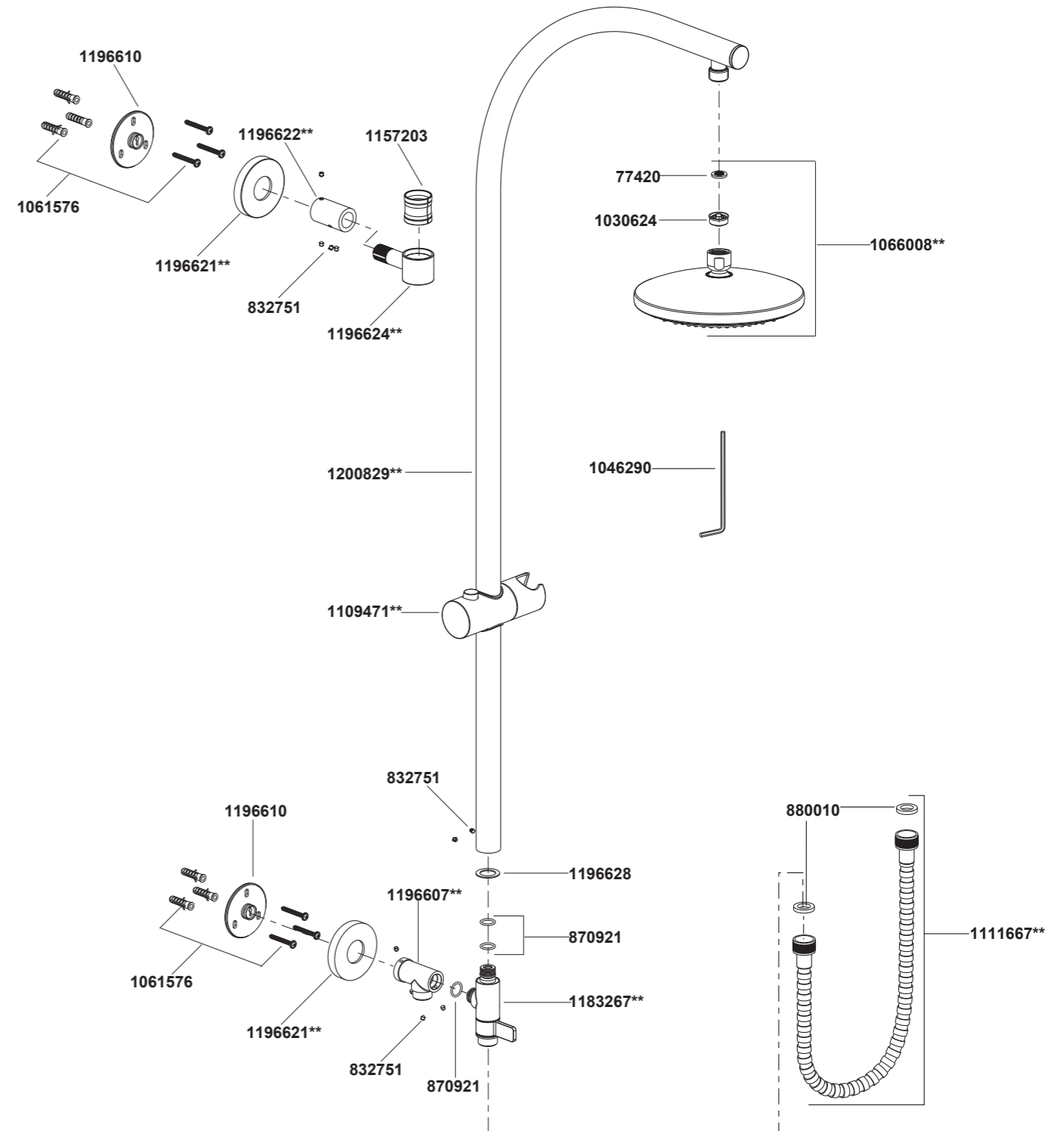
All Finishes: Clean the finish with mild soap and warm water. Wipe entire surface completely dry with clean soft cloth. Many cleaners may contain chemicals, such as ammonia, chlorine, toilet cleaner etc. which could adversely affect the finish and are not recommended for cleaning.

Do not use abrasive cleaners or solvents on Kohler faucets and fittings.

# KOHLER®

## SERVICE PARTS

### 11829T-B Shower Column



\*\*Color code must be specified when ordering