

INSTALLATION

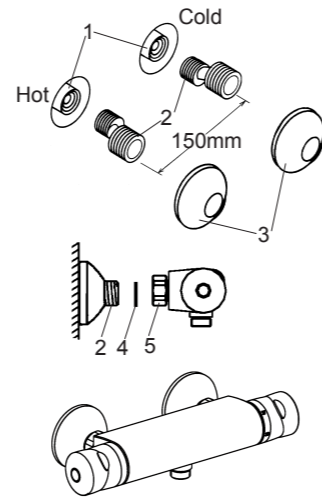
1. How To Install The Faucet

To perform installation, installer must provide G1/2" female supply fittings(1), spaced 150mm apart and horizontally. The supply fittings should be vertical and not beyond the finished wall. Hot supply pipe must be located on the left.

Flush the water supply pipes thoroughly to remove debris. Install the two offset connectors(2) into the hot and cold supply pipes. Use appropriate thread sealants or thread tape on pipe threads.

Adjust the center-to-center distance between the connectors to 150mm and horizontally. Thread the escutcheons(3) onto the connectors until they are against the finished wall.

Put the washers(4) into the nuts(5), thread the nuts to connectors. Tighten the nuts with strap wrench or soft cloth between product and regular wrench.



2. How To Install The Shower Column

Select a location in vertical wall to install shower column according to rough-in dimensions.

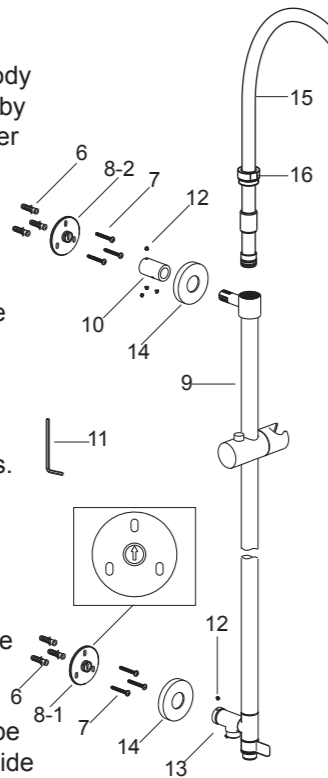
Drill the lower hole as anchors(6) diameter and lower base(8-1) position in the finished wall (**NOTE:** The arrow in the base is upward). Press anchors into the hole, secure the base by the screws(7).

Rehearse the slide bar kit(9) installation for the upper base(8-2) mounting location determination. Slide the tube joint(10) onto the slide bar kit, and connect them to the base(**NOTE:** The arrow in the base is up). Install the screws(12) into the tube joint with the hex wrench(11), and tighten them.

Place the slide bar and the body against the finished wall. Connect the lower base and the diverter body kit(13). Position and tighten them by hex wrench. Mark the hole of upper base(8-2) with a pencil. Uninstall the slide bar kit and tube joint. (**NOTE:** Don't lose the screws.)

Drill holes on the mark. Press the anchors into the holes. Secure the upper base(8-2) by the screws. Install the tube joint(10) to the base(8-2) and tighten them by screws. Reinstall the slide bar kit with escutcheons(14) to the bases. Tighten the screws with the hex wrench. Screw the escutcheons with the bases until against the finished wall.

Install the tube kit(15) into the slide bar kit. Install the nut(16) onto the tube kit with soft cloth between internal hole of the nut and the tube kit. Then screw the nut onto the slide bar kit with strap wrench or soft cloth between the nut and regular wrench.

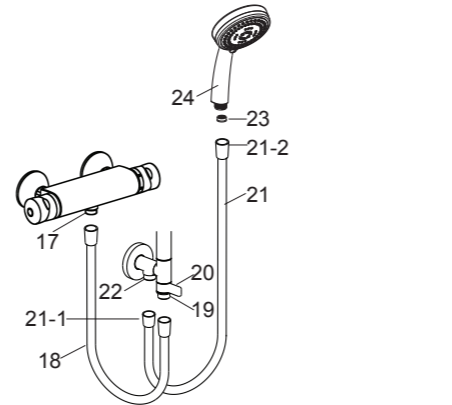


3. How To Install The Handspray & Hose

Remove the guards on the outlet connectors of 500mm length hose(18). Connect the outlet(17) to the connector (19) with the hose(18), and tighten.

Turn the diverter handle(20), run hot and cold water for about one minute to remove any debris.

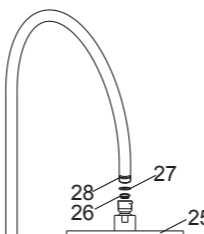
Remove the guards on the outlet connectors of 1500mm length hose(21). Tighten the shorter connector(21-1) of the hose(21) to the connector(22). Put the restrictor(23) into the handspray(24) inlet if needed. Tighten the handspray to the longer connector(21-2) of the hose.



4. How To Install The Showerhead

Turn the diverter handle to showerhead(25) work, run hot and cold water for about one minute to remove any debris before the showerhead is installed.

Before installation, put the regulator(26) into the showerhead inlet if needed. Take out the washer(27) and install the regulator as shown, reinstall the washer. Tighten the showerhead onto the tube kit outlet(28) with strap wrench.



INSTALLATION CHECKOUT

Ensure that all connections are tight. Ensure that the handles are in the off position.

Turn on the drain and main water supply, and check for leaks. Repair as needed.

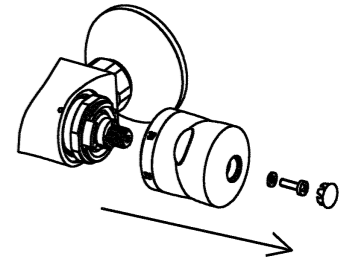
OPERATION INSTRUCTIONS

Turn the diverter handle of the column counter-clockwise, handspray works; turn it clockwise, showerhead works.

The temperature is set by slowly turning the temperature selector(right-hand handle). For safety reasons, there is a stop that limits temperature to 40°C. To get a higher temperature, push the button and continue turning the temperature selector. Water flow is set by turning the left-hand handle. There is also a water-saving stop. To obtain a higher flow rate, push the button and continue turning it.

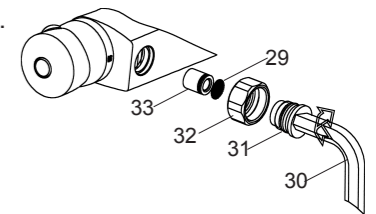
Verification And Setting

Make sure that the water feeds of the faucet have reach their highest temperature by letting the water run sufficiently. With the selector in position 37°C, the temperature of the water coming out of the faucet must be within a range of 36°C and 38°C, as measured by a thermometer. If this is not the case, the installer can adjust the setting. Proceed with the setting as follows: With the faucet on "cold" normal water flow, slowly turn the temperature selector(always in the same direction) until water at 37°C is obtained. If the temperature goes over 38°C, go back to the "cold" setting and set again. When the temperature is stabilized, without turning the temperature selector, unscrew the screw located on the top of handle with screwdriver. Install the handle with aligning the 37°C with the mark "O" on the handle. Tighten the screw with the screwdriver.

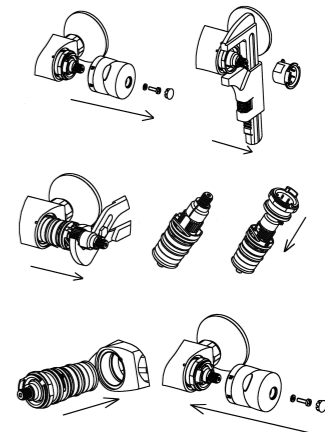


CARE AND MAINTENANCE

The filters(29) protecting the faucet device may get obstructed and reduce water flow. When this happens, unscrew the bushes(31, left thread) by a wrench(30, 12mm) and take out the nuts(32), filters(29) and the check valves(33) after removing the faucet. Clean the filters by soaking them in warm vinegar. Reinstall them as the figure.



Very hard water can obstruct the filters protecting the thermostatic cartridge and reduce the flow of water. Clean the filters by soaking the thermostatic cartridge in hot vinegar and follow the instructions in the figures on removing and installing the cartridge(The 37 mark is aligned with the mark on the body before removing). Adjust temp. as per the steps of verification and setting.



NOTE: Do not turn the temperature selector before reinstall it. Reinstall the temperature selector by aligning the 37 mark with the mark on the body.

CLEANING INSTRUCTIONS

All Finishes: Clean the finish with mild soap and warm water. Wipe entire surface completely dry with clean soft cloth. Many cleaners may contain chemicals, such as ammonia, chlorine, toilet cleaner etc. which could adversely affect the finish and are not recommended for cleaning.

Do not use abrasive cleaners or solvents on Kohler faucets and fittings.