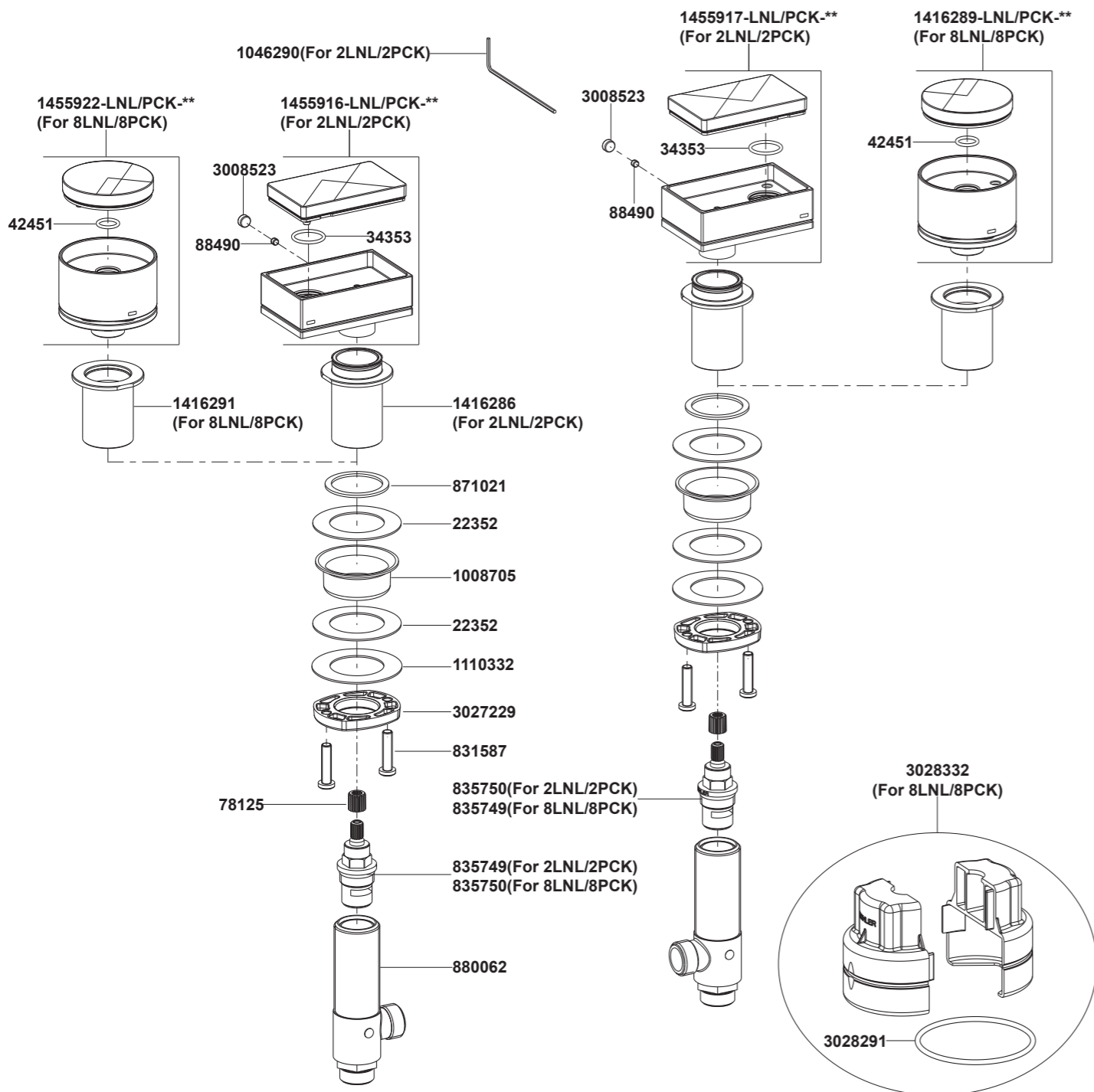


- EX77990T-2LNL 臻彩雅砌方型把手(松露灰)
- EX77990T-2PCK 臻彩雅砌方型把手(孔雀蓝)
- EX77990T-8LNL 臻彩雅砌柱型把手(松露灰)
- EX77990T-8PCK 臻彩雅砌柱型把手(孔雀蓝)



**订购时请说明颜色编号
**Color code must be specified when ordering

- EX77990T-2LNL 臻彩雅砌方型把手(松露灰)
- EX77990T-2PCK 臻彩雅砌方型把手(孔雀蓝)
- EX77990T-8LNL 臻彩雅砌柱型把手(松露灰)
- EX77990T-8PCK 臻彩雅砌柱型把手(孔雀蓝)

安装之前

所有的资料是按最新发布的产品资料编写而成。科勒公司保留任何时候不经通知即可改变产品特性、包装或产品可供类型的权利。

说明书包括重要的安装、保养及清洁方面的内容，请把这些资料交给用户阅读。

注意事项：

- 1.一定要先彻底冲洗供水管以清除管道中的杂质。
- 2.检查供水管有无损坏和漏水。如需要，进行替换和维修。
- 3.遵守当地管路安装条例。
- 4.切断供水管路。
- 5.本产品可搭配脸盆龙头出水嘴77965T, 77966T, 23887T, 77967T, 77968T & 77969T和浴缸龙头出水嘴77985T, 77986T & 77987T。

BEFORE YOU BEGIN

All information is based on the latest product information available at the time of publication. Kohler Co. reserves the right to make changes in product characteristics, packaging, or availability at any time without notice. Please leave these instructions for the consumer. They contain important information.

NOTES:

1. Flush the water supply pipes thoroughly to remove debris.
2. Inspect the supply tubing for damage and leakage. Replace and maintain as necessary.
3. Observe local plumbing codes.
4. Shut off the water supplies to the fitting.
5. These products should match with lavatory faucet spout 77965T, 77966T, 23887T, 77967T, 77968T & 77969T and bath faucet spout 77985T, 77986T & 77987T.

使用说明

对于方型把手EX77990T-2LNL/2PCK，顺时针旋转右把手为开，逆时针旋转左把手为开。

对于柱型把手EX77990T-8LNL/8PCK，逆时针旋转右把手为开，顺时针旋转左把手为开。

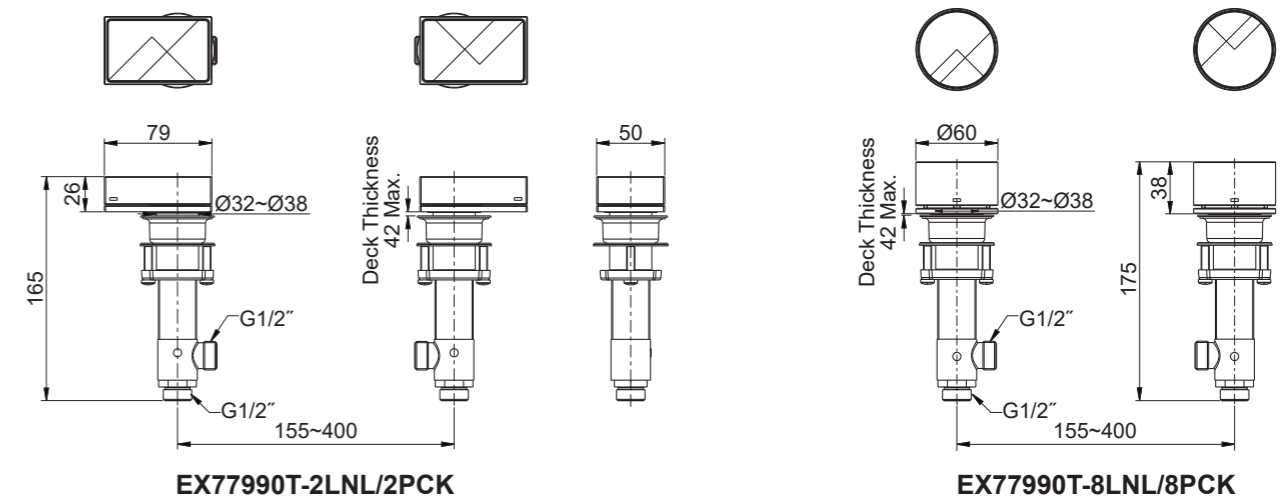
HANDLE OPERATION

For EX77990T-2LNL/2PCK, turn on the right handle clockwise for cold water, turn on the left handle counter-clockwise for hot water.

For EX77990T-8LNL/8PCK, turn on the right handle counter-clockwise for cold water, turn on the left handle clockwise for hot water.

安装尺寸

ROUGH-IN DIMENSIONS



安装步骤

INSTALLATION

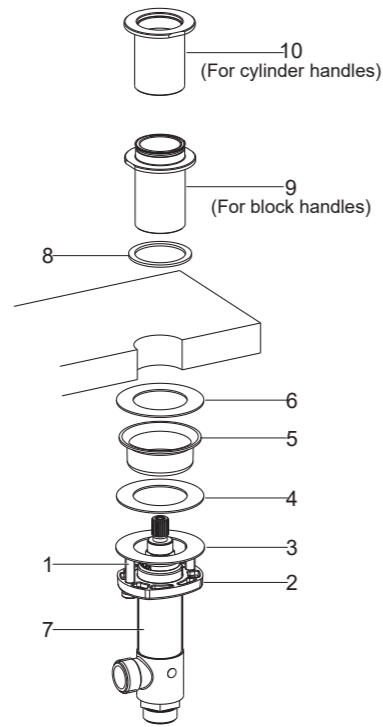
如何安装把手

确保螺钉(1)部分旋入安装环(2)。依次将安装环、钢垫(3)、垫片(4)、碟形垫片(5)和垫片(6)装在阀体组件(7)上。

从台面下方将阀体组件装入安装孔。**注意：**带红色标志的阀体组件装在左侧。

将垫片(8)装到底座螺母(9或10)底部凹槽中，将底座螺母旋到阀体组件上。

根据软管安装需要，适当调整阀体出水口朝向。拧紧螺钉(1)以固定安装环。



How to Install the Handles

Partially thread the screws(1) into the threaded rings(2). Put the threaded rings, steel washers(3), washers(4), dished washers(5) and washers(6) onto the side bodies(7).

From underside, insert the side bodies into the mounting holes. **NOTE:** The side body with red mark should be installed on the left.

Put the washers(8) into the groove of the nuts(9 or 10). Thread the nuts onto the side bodies.

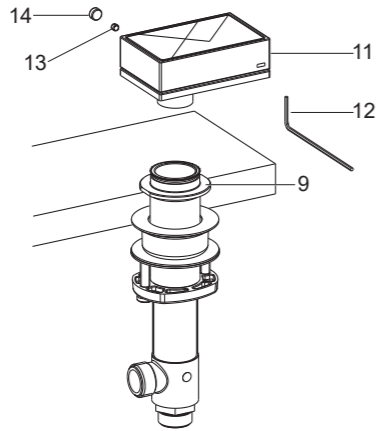
Adjust the orientation of the body outlets in order to connect the hoses easily. Secure the threaded rings by tightening screws(1).

对于EX77990T-2LNL/2PCK

确保阀芯和把手处于关闭位置。

将把手(11)安装到底座螺母(9)上。**注意：**带有红色标记的把手组件安装在左侧。

用六角扳手(12)锁紧螺钉(13)固定把手，放入塞扣(14)。



For EX77990T-2LNL/2PCK

Ensure the valves and handles are in the off position.

Install the handles(11) onto the nuts(9). **NOTE:** The handle with red mark should be installed on the left.

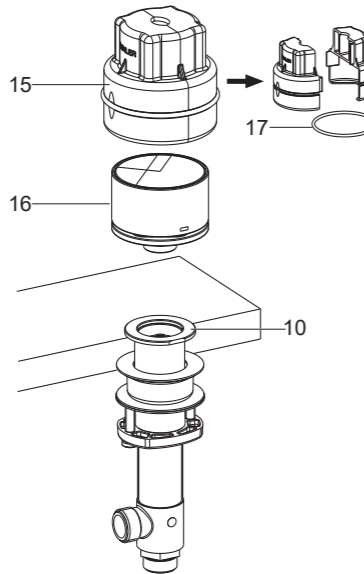
Tighten the screws(13) to secure the handles with a hex wrench(12), insert the plugs(14).

对于EX77990T-8LNL/8PCK

确保阀芯和把手处于关闭位置。

用把手工具(15)将把手(16)安装到底座螺母(10)上。**注意：**带有红色标记的把手组件安装在左侧。

如图所示，将把手工具从把手拆下：先取出O型圈(17)，再将两个塑料件分开。



For EX77990T-8LNL/8PCK

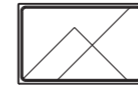
Ensure the valves and handles are in the off position.

Install the handles(16) onto the nuts(10) with the handle wrench(15). **NOTE:** The handle with red mark should be installed on the left.

Uninstall the handle wrench. Remove the O-ring(17), separate it into two parts as shown.

把手安装完毕处于关闭状态的位置如图所示。

The figure shown is the correct position of the handles in the closed position.



EX77990T-2LNL/2PCK



EX77990T-8LNL/8PCK

安装结果检查

检查并确保所有衔接螺母都已拧紧。确保把手处于关闭位置。

打开主供水源，检查并修理有漏水的接口。

INSTALLATION CHECKOUT

Ensure all coupling nuts are tight. Ensure the handles are in the off position.

Turn on main water supply, and check for leaks. Repair as needed.

清洗说明

适用于所有加工处理过的表面：以中性肥皂水清洗镀层表面，再以干净的软布彻底擦干整个表面，许多清洁剂，比如氨水、去污粉及洁厕灵等，会对电镀表面造成伤害，切忌使用。

有磨损性的清洁用具或清洁剂也不可适用于科勒牌的水龙头及其配件上。

CLEANING INSTRUCTIONS

All Finishes: Clean the finish with mild soap and warm water. Wipe entire surface completely dry with clean soft cloth. Many cleaners may contain chemicals, such as ammonia, chlorine, toilet cleaner etc. which could adversely affect the finish and are not recommended for cleaning.

Do not use abrasive cleaners or solvents on Kohler faucets and fittings.