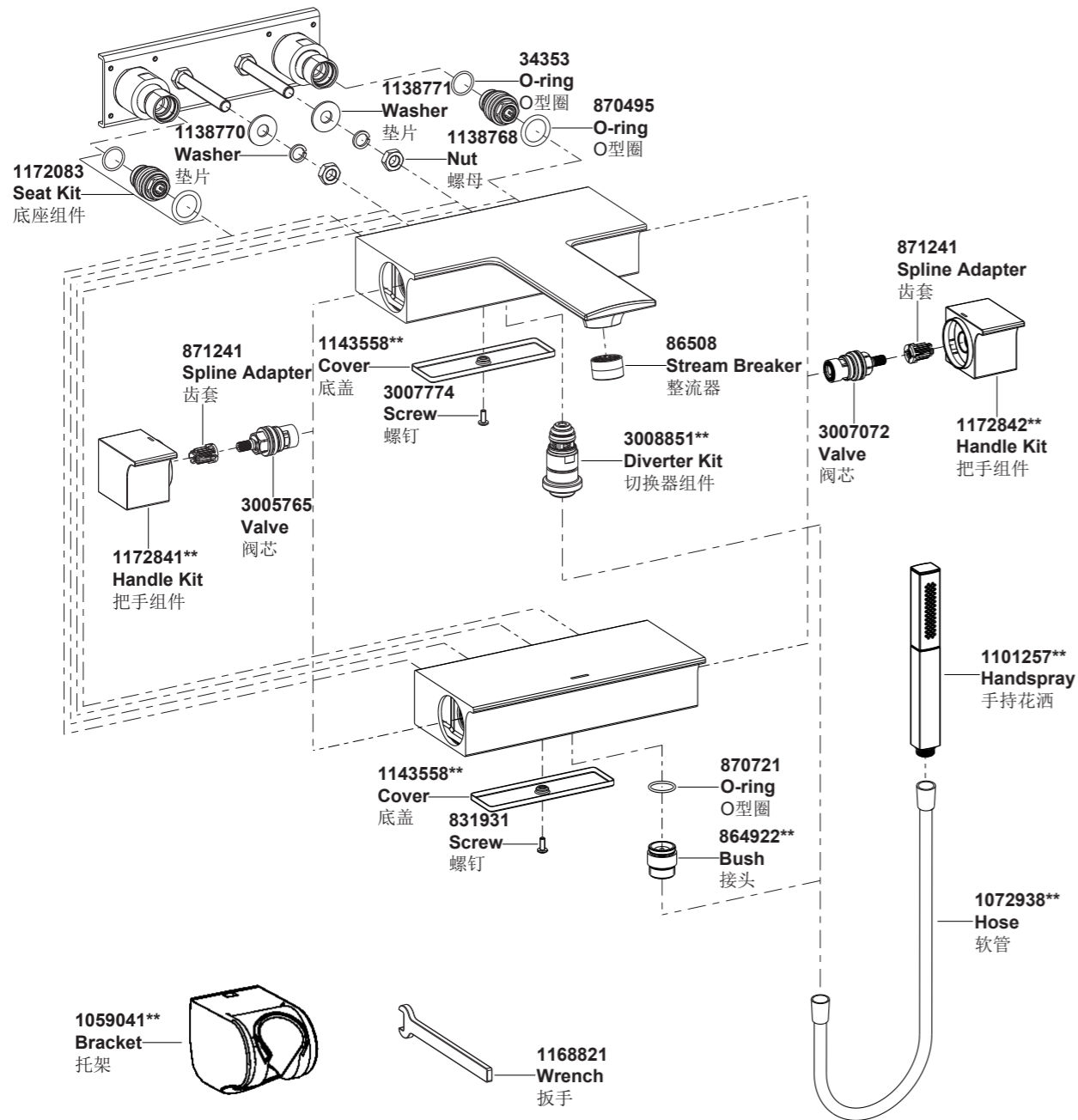


9100T-9 挂墙式浴缸花洒龙头
9102T-9 挂墙式花洒龙头



**订购时请说明颜色编号
**Color code must be specified when ordering

9100T-9 挂墙式浴缸花洒龙头
9102T-9 挂墙式花洒龙头

安装之前

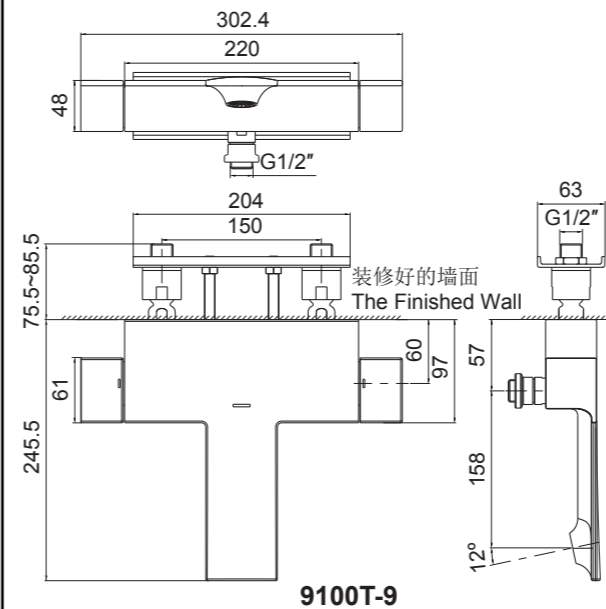
所有的资料是按最新发布的产品资料编写而成。科勒公司保留任何时候不经通知即可改变产品特性、包装或产品可供类型的权利。

说明书包括重要的安装、保养及清洁方面的内容，请把这些资料交给用户阅读。

注意事项：

- 1.一定要先彻底冲洗供水管以清除管道中的杂质。
- 2.切换器正常工作的最小压力为0.05MPa(0.5bar)。
- 3.花洒最高工作压力：0.5MPa(5bar)。水压超过0.5MPa(5bar)须安装减压阀。花洒最高工作温度及环境温度：60°C。请特别注意花洒同花洒连接的臂管须远离加热器，否则可能损坏花洒及其密封件，甚至对使用者造成伤害。
- 4.埋墙前测试安装连接部位是否有渗漏，根据需要修理之。
- 5.埋墙件安装完成后，水压测试埋墙件是否有渗漏，测试水压不超过0.8MPa(8bar)，且时间不超过30分钟。

安装尺寸



BEFORE YOU BEGIN

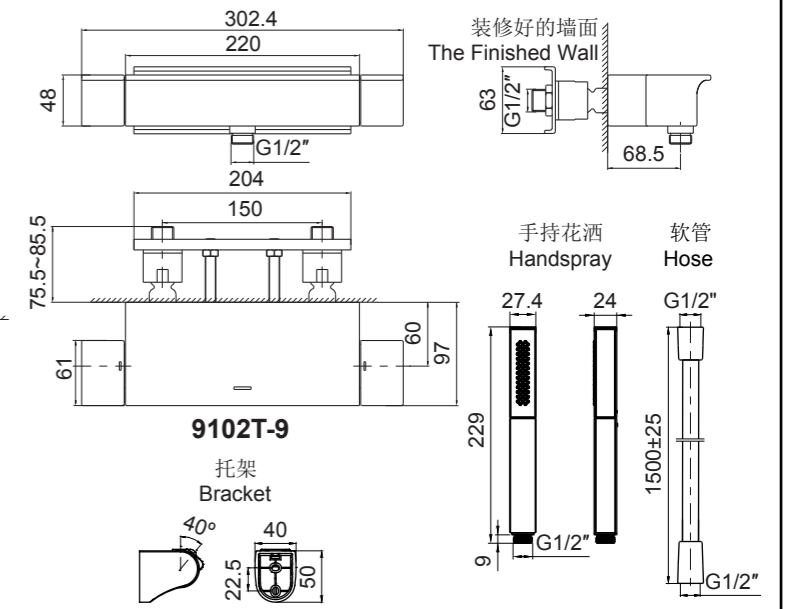
All information is based on the latest product information available at the time of publication. Kohler Co. reserves the right to make changes in product characteristics, packaging, or availability at any time without notice.

Please leave these instructions for the consumer. They contain important information.

NOTES:

1. Flush the water supply pipes thoroughly to remove debris.
2. The minimum inlet water pressure for the diverter is 0.05MPa(0.5bar).
3. The highest working pressure for handspray is 0.5MPa(5bar). If it exceeds 0.5MPa(5bar), a pressure reducer is needed. The highest water and environment temperature is 60°C. Please keep handspray away from heater, or it may become damaged and cause injury to the user.
4. Check for leaks before covering the pipes, repairs as needed.
5. Check for leaks with water pressure test after covering the pipes. Please ensure test pressure below 0.8MPa (8 bar) and test duration within 30 minutes.

ROUGH-IN DIMENSIONS



使用说明

HANDLE OPERATION

顺时针旋转左把手为开；逆时针旋转右把手为开。

Left handle opens with turning clockwise; right handle opens with counterclockwise.

安装步骤

INSTALLATION

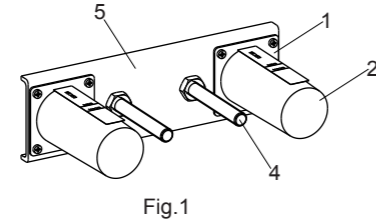
如何安装连接组件

安装水龙头前，彻底冲洗供水管，以清除管道中的杂质。

在垂直面的墙壁上，选择合适的高度安装连接组件(1)。

在墙面上开一个合适的孔。

注意：如图Fig.1所示，确保装修好的外墙面应处于保护套(2)上的MAX与MIN标记之间。



How To Install The Outlet Kit

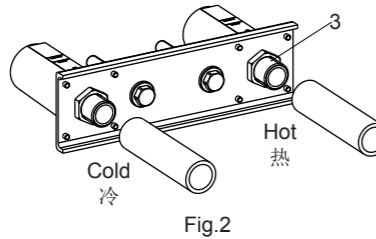
Flush the water supply pipes thoroughly to remove debris before installation.

Determine where the outlet kit(1) will be located on vertical wall.

Make a suitable hole in the wall.

NOTE: The out surface of the finished wall should be between the MAX and MIN marks on the protectors(2) as Fig.1 shown.

Use appropriate thread sealants or thread tape on the outlet bushes(3). Connect G1/2" hot and cold supplies to the outlet kit as Fig.2 shown, and connect hot supply to the left on the outlet kit with red mark.



NOTE: Ensure the centerline of the screws(4) is perpendicular to the wall, the support plate(5) is horizontal.

During installation, the protectors remain on the valve body.

在两个接头(3)涂螺纹密封胶或缠绕足以密封的密封胶带。如图Fig.2所示，将G1/2"冷热供水管接到连接组件上，且连接组件带有红点一侧朝左，连接热水管。

注意：安装时，保证螺钉(4)轴线方向与墙面垂直，底板(5)水平。

安装过程中，为了保护阀体，保护罩需留在阀体上。

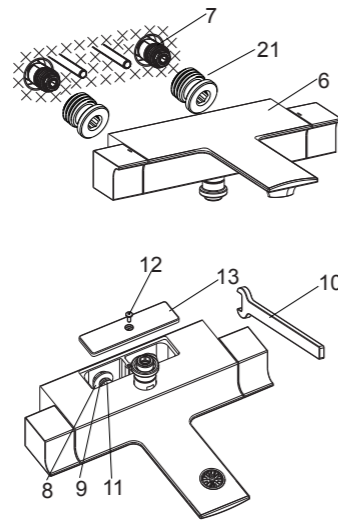
如何安装本体

墙面装修好以后，紧贴墙面切掉保护罩。拆下并扔掉装在接头(7)里的堵头(21)。

将本体(6)装在连接组件上，并紧贴墙面。如装入困难，可转动调节接头(7)装入。

注意：确保本体上带有“KOHLER”标记的一侧朝上。

从本体下方，将垫片(8, 9)装在螺钉(4)上。用扳手(10)将螺母(11)旋紧到螺钉(4)上以固定本体。用螺钉(12)将底盖(13)装在本体上。



How To Install The Body

Cut off the plastic guard against the wall after the wall is finished. Uninstall and discard the stopper(21) inside the connector(7).

Slide the body(6) onto the outlet kit till it is against the wall. Rotate the connector(7) so that the body can install onto the outlet kit if needed.

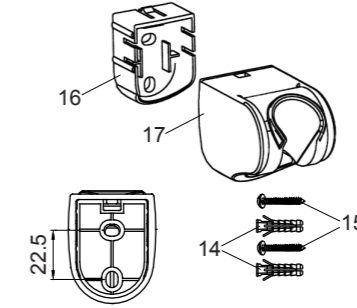
NOTE: Ensure that the side with "KOHLER" mark on the body is up.

From the underside of the body, install the mounting plate(8, 9) onto the screws(4). Tighten the nuts(11) with the wrench(10) onto the screws(4) to secure the body. Fit the cover(13) onto the body with the screw(12).

如何安装托架

在墙面选择合适的位置来安装托架。

根据孔距在墙面标记位置，依据胀塞(14)直径打孔，安装胀塞。旋紧螺钉(15)，使底座(16，平面朝上)固定紧贴墙壁。将托架(17)扣在底座上，使凸台嵌入豁口。把花洒挂在托架上。



How To Install The Bracket

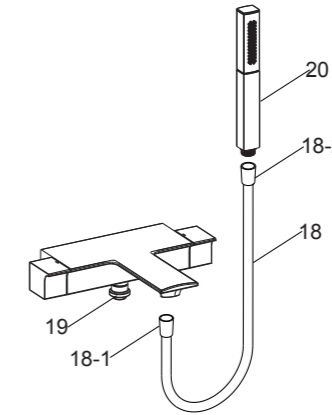
Determine a suitable location on the finished wall to install the bracket.

Mark bracket base mounting hole locations on the wall according to the dimension. Drill two holes on the finished wall, the holes should match the anchors(14). Install the anchors. Tighten screws(15) to secure bracket base(16). Put the bracket(17) onto the bracket base and lock by stopper. Hang the handspray on the shower bracket.

如何安装手持花洒和软管

去掉软管(18)两端接头的保护套。将软管的短接头(18-1)与接头(19)相连并拧紧。将软管的长接头(18-2)与手持花洒(20)相连并拧紧。

将手持花洒挂在托架上。



How To Install The Handspray And The Hose

Remove the guards on the outlet connectors of the hose(18). Tighten the shorter connector(18-1) to the other connector(19). Tighten the other connector(18-2) to the handspray(20).

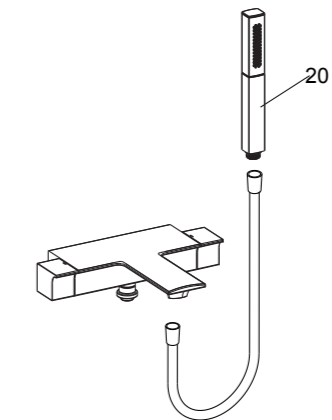
Hang the handspray on the bracket.

安装结果检查

检查并确保所有的衔接处都已拧紧，确保手柄在关的位置。

打开排水系统和主要供水源，检查并修理有漏水的接口。

拆下手持花洒(20)。打开把手，让水流出约一分钟以清除杂质。检查渗漏，关闭把手，重新装回花洒。



INSTALLATION CHECKOUT

Ensure that all connections are tight. Ensure that the handle is in the off position.

Turn on the drain and main water supply, and check for leaks. Repair as needed.

Remove the handspray(20). Turn on the handles, run water through the faucet for about one minute to remove any debris. Check for leaks. Shut off the handle. Reinstall the handspray.

清洗说明

适用于所有加工处理过的表面：以中性肥皂水清洗镀层表面，再以干净的软布彻底擦干整个表面，许多清洁剂，比如氨水、去污粉及洁厕灵等，会对电镀表面造成伤害，切忌使用。

有磨损性的清洁用具或清洁剂也不可适用于科勒牌的水龙头及其配件上。

CLEANING INSTRUCTIONS

All Finishes: Clean the finish with mild soap and warm water. Wipe entire surface completely dry with clean soft cloth. Many cleaners may contain chemicals, such as ammonia, chlorine, toilet cleaner etc, which could adversely affect the finish and are not recommended for cleaning.

Do not use abrasive cleaners or solvents on Kohler faucets and fittings.