

Note: before cutting countertop Allow for handle clearance  
注意: 在切割台面之前, 请留出安装龙头的空间。

至少 51mm  
51mm  
MIN

65mm

**KOHLER**

**K-14008T-PD/K-14008T-PK**  
**K-14008T-RGD**  
**罗雅丽 LAUREATE**

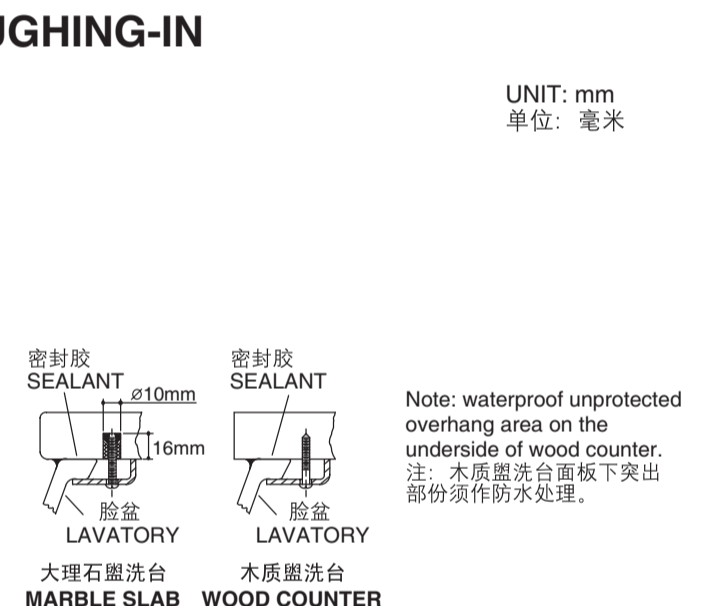
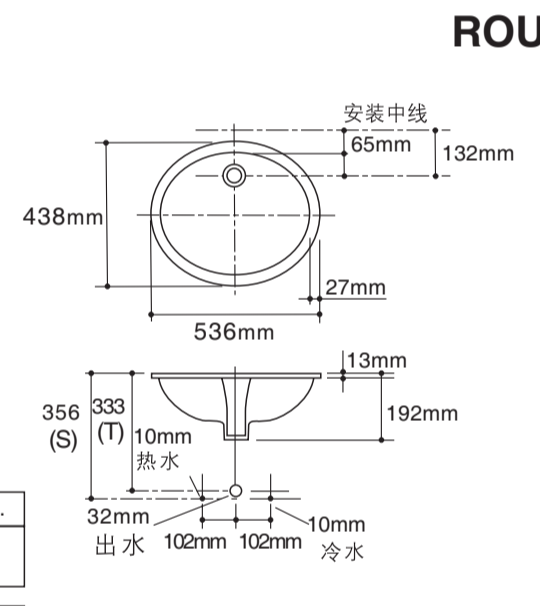
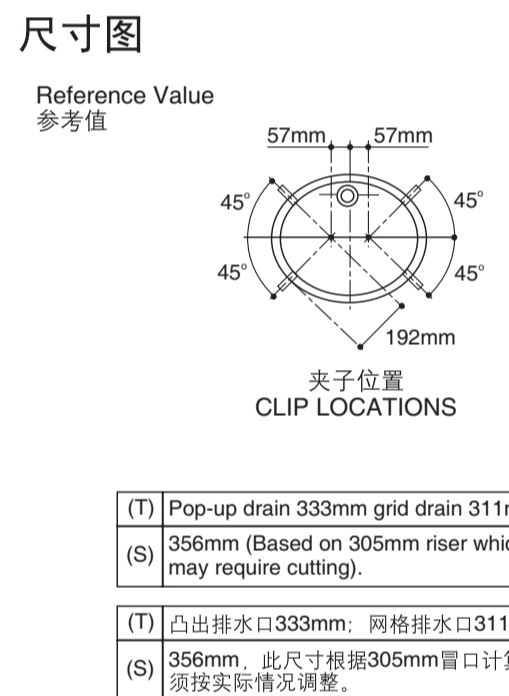
**釉面陶瓷台下脸盆**  
**VITREOUS CHINA UNDERCOUNTER LAVATORY**  
**切割图/安装说明书**  
**CUT-OUT TEMPLATE / INSTALLATION INSTRUCTIONS**

**安装之前**

- 有关安装专业性, 故盥洗台下脸盆必须由受过训练及有经验的技师进行安装。
- 切勿在本品上使用黏剂或有粘性的密封胶。
- 检查出水及供水管道, 如有需要便更换。
- 安装之前先开启新脸盆的包装, 检查有无破损后放回纸箱中以免损坏, 到准备安装时才取用。
- 遵守当地所有给排水及建筑规定。
- 科勒洗脸盆是根据美国标准制造的, 与美式洗脸盆配件相配。其它洗脸盆配件可能与之不相配。

**BEFORE YOU BEGIN**

- Due to the nature of the installation, undercounter lavatories should be installed by trained and experienced installers.
- Do not use adhesives or adhesive sealants with this product.
- Inspect the waste and supply tubing; replace if necessary.
- Prior to installation, unpack the new lavatory and inspect it for damage. Return the lavatory to its protective carton until you are ready to install it.
- Observe all local plumbing and building codes.
- Kohler lavatory is made according to American National Standard that it can match the American lavatory fittings. Any other lavatory fittings may not fit for Kohler lavatory.



**所需工具及物料 (不随货供应)**

- 密封胶
- 炭笔
- 卷尺
- 尖刀或剪刀
- 匙孔或锯手锯
- 电钻(直径1/2英寸或更大的电钻)
- 防护眼镜
- 锤子
- 抹布或抹手纸

注意: 若盥洗台的物料并非木质或木质合成品, 则您可能需要在安装脸盆时使用其他更专门的工具。

**TOOLS AND MATERIALS (Not Supplied)**

- Sealant
- Pencil
- Tape measure
- Sharp knife or scissors
- Keyhole or saber saw
- Drill (1/2" dia. drill bit or larger)
- Safety glasses
- Hammer
- Rags or paper toweling

**NOTE:** You may require different, more specialized tools to install this lavatory to countertop materials other than wood or wood composites.

**安装脸盆**

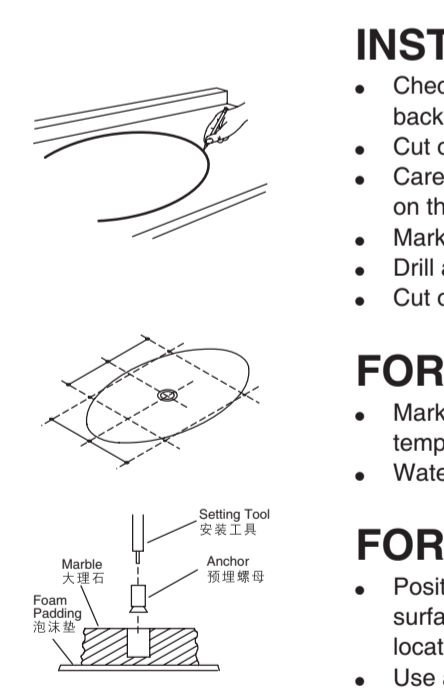
- 检查准备安装脸盆的位置, 是否与后挡板、水龙头、脸盆及柜子保持足够的距离。
- 剪出模板。
- 将模板小心放置于台上, 并在台面上按照模板画出其边缘轮廓导线。
- 在盥洗台上标出水龙头孔位的中心线。
- 在切线内则钻一个1/2英寸的导孔。
- 用手锯或匙孔锯切开盥洗台。

**木制盥洗台**

- 按照模板所示的位置, 在台面标出及预先钻妥木螺钉的孔位。
- 其他外露的木表面需保持防水。

**大理石盥洗台**

- 大理石盥洗台倒过来放在泡沫垫上以保护其表面, 按照模板所示的位置钻妥各个3/8英寸(10mm)直径及5/8英寸(16mm)深的孔位。
- 利用安装工具及锤子来固定预埋螺母。



**INSTALL THE LAVATORY**

- Check the desired lavatory location for clearance between the backsplash, faucet, fixture, and cabinet.
- Cut out the template.
- Carefully position and trace the template on the countertop as directed on the template.
- Mark the faucet hole centerline on the countertop.
- Drill a 1/2" pilot hole on the inside of the cut line.
- Cut out the countertop opening with a saber or keyhole saw.

**FOR WOOD COUNTERTOPS**

- Mark and pre-drill the wood screw holes at the locations shown on the template.
- Waterproof any exposed areas of wood.

**FOR MARBLE COUNTERTOPS**

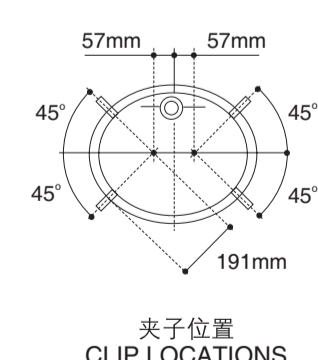
- Position the countertop upside down on foam padding to protect the surface. Mark and drill 3/8" (10mm) holes 5/8" (16mm) deep at the locations shown on the template.
- Use a setting tool and hammer to secure the anchors.

注意: 采用此切割模板切割的台面内沿到面盆内边缘的距离为6mm左右, 客户可根据需要按比例缩放用以切割台面。

**NOTE: Using this template, the overhang is about 6mm. Customers can zoom the template by scale to meet their requirement.**

沿此线切割  
CUT ALONG THIS LINE

夹子位置  
CLIP LOCATIONS

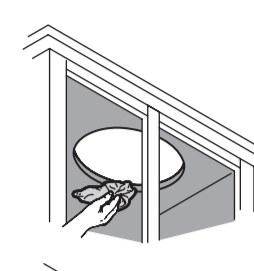


1110046-T01-C

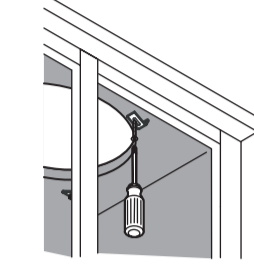
© 版权为科勒中国有限公司所有, 2013  
© Copyright Kohler China Ltd., 2013

**安装新脸盆**

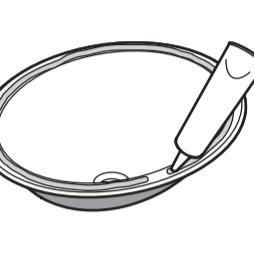
- 如果可能的话, 在安装脸盆之前组装脸盆上的水龙头和排水管, 请按照制造商的说明书进行操作。
- 清洁台面下部以及脸盆边缘。



- 安装夹子, 切勿上紧。

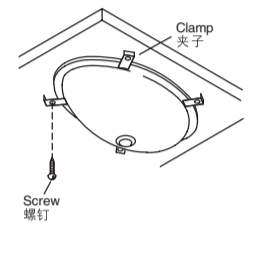


- 在与盥洗台接触的盥洗台边缘均匀涂上硅胶类密封材料。



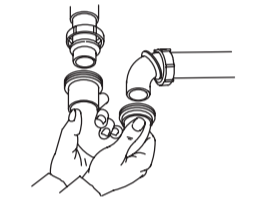
- 注意:**
- 只能使用柔软的防水密封胶。
  - 切勿使用环氧树脂胶或水泥等硬化后体积变大的密封材料, 科勒对所有因此而引起的陶瓷破裂等不负责。

- 把脸盆小心地放到盥洗台开口下, 调整位置并上紧夹具, 切勿上得太紧。



- 注意:**
- 随附的螺钉只适用于最少1英寸厚(25毫米)的盥洗台, 而较薄的盥洗台则要用其他合适的预埋螺母及紧固件。
  - 在木、木质合成物及大理石的盥洗台(最少1英寸厚)上安装脸盆时, 可使用随附的夹具及螺钉, 其他物料制造的盥洗台, 则请参考盥洗台制造商的说明书上的建议, 使用适当的扣件。

- 立即擦去多余的密封胶。
- 根据制造商说明书连接水龙头供水管及排水装置。
- 开启水龙头阀门, 检查是否有渗漏。
- 使用非腐蚀性的清洁剂进行清洁。



**INSTALL NEW LAVATORY**

- If possible, assemble the faucet and drain to the lavatory before installing the lavatory. Please follow the manufacturer's instructions.
- Clean the underside of the countertop and the rim of the lavatory.

- Loosely install the clips.

- Evenly apply silicone sealant to the rim of the lavatory where it meets the countertop.

- NOTE:**
- Please use soft and water-proof sealant.
  - Do not use epoxy resin adhesive or sealing materials that will expand after concreting, such as cement. Otherwise, Kohler will not be responsible for any product damage caused by such material.

- NOTE:**
- The screws provided should be used on countertops with a minimum 1" (25mm) thickness. For thinner countertops, use appropriate anchors and fasteners.
  - For wood, wood composite, and marble countertops (at least 1" thick), install the lavatory to the countertop with the clamps and screws provided. For other countertop materials, refer to the countertop manufacturer's instructions for recommended fasteners.

- Immediately wipe away excessive sealant.
- Connect the faucet supply pipe and drainage pipe according to manufacturer's instructions.
- Turn on the faucet valve to check for leakage.
- Clean up with non-corrosive detergent.

**用户须知 (护理和清洁)**

为保持脸盆光洁如新, 须确保每次使用后彻底冲洗干净, 切勿使用腐蚀性的清洁剂, 以免刮花及破坏脸盆的表面。要清除顽固污垢, 油漆或柏油, 可使用松油或油漆稀释剂。

不要在0°C以下的水环境中使用。

**警告:** 请勿用钢丝球等硬质材料擦产品表面, 特别是产品商标处。

**艺术陶瓷品使用及保养须知:**

请您像珍惜您的珍贵瓷器一样对待您的艺术系列产品。最佳清洗方式为使用温水擦洗, 然后用棉布或软海绵轻轻拍干。请勿使用粗糙的刷子或带刺的海绵, 以免划伤装饰表面。

**IMPORTANT CONSUMER INFORMATION (CARE AND CLEANING)**

To keep your lavatory looking new, make sure you rinse it out thoroughly after each use. **DO NOT USE ABRASIVES** on this product, as they will scratch and ruin the surface. Stubborn stains, paint, or tar can be removed with turpentine or paint thinner.

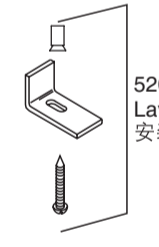
Do not use the product in the water below 0°C.

**CAUTION:** Please do not use hard materials (like scouring pad) to clean product surface, especially the product logo.

**For Artist Edition Products:**

Treat your decorative product just as you would treat your fine china. The best way to clean it is to use warm water and pat dry with a cotton cloth or soft sponge. **DO NOT** use bristle brushes or abrasive-backed sponges. They will scratch the decorative surface.

**维修零件**



52047  
Lav Clamp Accessory  
安装夹组件

**SERVICE PARTS**