

Installation and Homeowners Guide

安裝說明及用戶手冊

Underscore Bathroom Heater S450G

科勒浴室暖風乾燥機 S450G*

K-77315TW-G-MZ (Air-Care)

KOHLER CHINA INVESTMENT CO., LTD NO.158, JIANG CHANG SAN ROAD,
JING'AN DISTRICT, SHANGHAI, PRC POST CODE: 200436
科勒(中國)投資有限公司 上海市靜安區江場三路158號 郵編: 200436

*又名: 浴室淨•暖機

1400362-T01-A

KOHLER®

BEFORE YOU BEGIN


安裝之前

- Please read these instructions carefully to familiarize yourself with the required tools, materials, and installation sequences. Follow the sections that pertain to your particular installation. This will help you avoid costly mistakes. In addition to proper installation, read all operation and safety instructions.
- All information in these instructions is based upon the latest product information available at the time of publication. Kohler China reserves the right to make changes in product characteristics, packaging, or availability at any time without notice.
- These instructions contain important care, cleaning, and warranty information please leave instructions for the consumer.
- This product complies with GB4706.1-2005, GB4706.23-2007, GB4706.27-2008, GB7000.1, GB7000.202 and GB/T17743.
- This appliance is not intended for use by persons (including children) with reduced physical, sensory or mental capabilities, or lack of experience and knowledge, unless they have been given supervision or instruction concerning use of the appliance by a person responsible for their safety.
- Children should be supervised to ensure that they do not play with the appliance.
- The supply mains having a contact separation in all poles that provide full disconnection under overvoltage category III conditions, the instructions shall state that means for disconnection must be incorporated in the fixed wiring in accordance with the wiring rules.
- If the supply cord is damaged, it must be replaced by a special cord or assembly available from the manufacturer or its service agent.
- 請通讀本說明書，以便了解所需工具、材料及安裝程序。請遵照相關章節進行安裝，以避免由於安裝不當而導致不必要的損失。除了有關正確的安裝方法之外，還務請閱讀所有操作及安全說明。
- 本說明書所含一切材料，均以印刷時所有的最新產品為準，科勒中國保留隨時更改產品特性、包裝或供應情況的權利，恕不另行通知。
- 本說明書也包含了有關護理、清潔及保養等重要資料 - 請交予用戶保存。
- 執行標準：GB4706.1-2005, GB4706.23-2007, GB4706.27-2008, GB7000.1, GB7000.202, GB/T17743。
- 本電器不預期供生理、感知、心智能力、經驗或知識不足之使用者(包含孩童)使用，除非在對其負有安全責任的人員之監護或指導下安全使用。
- 孩童應受監護，以確保孩童不嬉玩電器。
- 產品需配備全集斷開開關。
- 如果電源綫有損壞，請及時找製造商或者代理商進行更換。

 **WARNING: Risk of electrical shock. A licensed electrician should make all electrical connections.**

 **WARNING: Risk of electrical shock. Connect only to a circuit protected by a typical two-pole circuit breaker.**

 **WARNING: Risk of electrical shock. Disconnect power before servicing.**


 **WARNING:**

1. The heater must not be used if the glass panels are damaged.
2. This heater is not equipped with a device to control the room temperature.
3. Do not use this heater in small rooms when they are occupied by persons not capable of leaving the room on their own, unless constant supervision is provided.
4. The heater must be installed at least 1.8 m above the floor.
5. Prior to cleaning or other maintenance, the appliance must be disconnected from the supply mains.
6. Products not suitable for covering with thermally insulating material.
7. The heater must not be located immediately below a socket outlet.
8. The light source of this luminaire is not replaceable. When the light source reaches its end of life, the whole luminaire shall be replaced.
9. The heater must be properly installed so that the switch and other controls cannot be accessed by people in the bath or shower.

 **警告：有觸電的危險。請找合格的電工來進行所有的綫路連接。**

 **警告：有觸電的危險。僅能和雙極型斷路器保護的電路連接。**

 **警告：有觸電的危險。工作之前先切斷電源。**

 **警告：**

1. 如果玻璃面板損壞，請勿使用此機器。
2. 機器不能控制室內溫度。
3. 不要在缺少監控或者無人的情況下開啓此機器。
4. 安裝至少需離地1.8米。
5. 在維修或者清潔機器之前，請關閉開關電源。
6. 請勿將絕熱材料覆蓋在產品上。
7. 加熱器不能直接置于插座正下方。
8. 燈具的光源不可更換，當燈具壽命將盡，須更換整塊燈具。
9. 說明書應註明加熱器須適當安裝，使開關及其他控制器無法由沐浴或淋浴中的人員觸及。

PRESENCE CONDITION OF THE RESTRICTED SUBSTANCES MARKING 限用物質含有情況標示

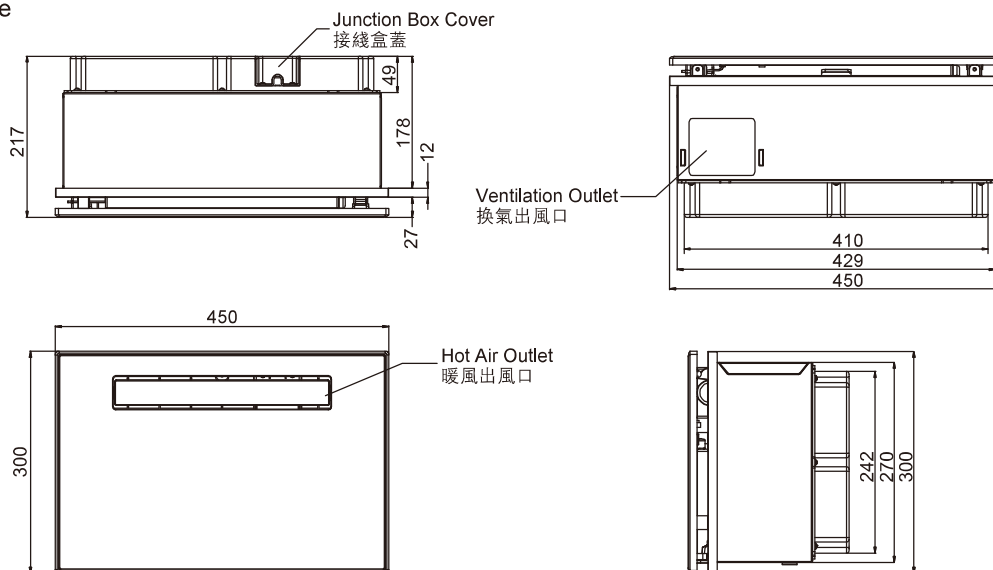
Equipment Name 設備名稱: Kohler浴室暖風乾燥機						
Type designation (Type) 型號(型式): K-77315TW-MZ, K-77315TW-G-MZ						
Unit 單元	Restricted substances and its chemical symbols 限用物質及其化學符號					
	Lead 鉛 (Pb)	Mercury 汞 (Hg)	Cadmium 鎘 (Cd)	Hexavalent chromium 六價鉻 (Cr+6)	Polybrominated biphenyls 多溴聯苯 (PBB)	Polybrominated diphenyl ethers 多溴二苯醚 (PBDE)
五金結構件	○	○	○	○	○	○
塑膠件	○	○	○	○	○	○
矽膠件	○	○	○	○	○	○
安裝吊件	○	○	○	○	○	○
玻璃面板	超出0.1 wt %	○	○	○	○	○
PTC發熱塊	超出0.1 wt %	○	○	○	○	○
滾珠軸承電機	○	○	○	○	○	○
步進電機	○	○	○	○	○	○
熱熔斷器	○	○	○	○	○	○
溫控器	○	○	○	○	○	○
電流保險絲	○	○	○	○	○	○
控制主板組件	超出0.1 wt %	○	○	○	○	○
Air-care模塊	超出0.1 wt %	○	○	○	○	○
LED模組/驅動	超出0.1 wt %	○	○	○	○	○
遙控器	超出0.1 wt %	○	○	○	○	○
各類導線/套管	○	○	○	○	○	○
印刷件	○	○	○	○	○	○
標準緊固件	○	○	○	超出0.1 wt %	○	○
<p>Note 1: "Exceeding 0.1 wt %" and "exceeding 0.01 wt %" indicate that the percentage content of the restricted substance exceeds the reference percentage value of presence condition. 備考1: “超出0.1 wt %”及“超出0.01 wt %”系指限用物質之百分比含量超出百分比含量基準值。</p> <p>Note 2: "○" indicates that the percentage content of the restricted substance does not exceed the percentage of reference value of presence. 備考2: “○”系指該項限用物質之百分比含量未超出百分比含量基準值。</p> <p>Note 3: The "-" indicates that the restricted substance corresponds to the exemption. 備考3: “-”系指該項限用物質為排除項目。</p>						

RECOMMENDED TOOLS AND MATERIALS 所需工具及材料

- Tape measure
 - Level
 - Screw driver
 - Connection wire
 - Wire cutter
 - Insulation tape
 - Bushing
 - Percussion Drill
 - Pen Knife
 - Wrench
- 卷尺
 - 水平尺
 - 十字螺絲刀
 - 連接綫
 - 剝綫器
 - 絕緣膠布
 - 電工套管
 - 扳手
 - 衝擊鑽
 - 美工刀

ROUGHING-IN 尺寸圖

Reference Value
參考值



Unit: mm
單位: 毫米

Kohler reserves the right to change marked dimensions without prior notice.
科勒公司保留隨時變更圖中標示尺寸的權利，無需另行通知。

SPECIFICATIONS

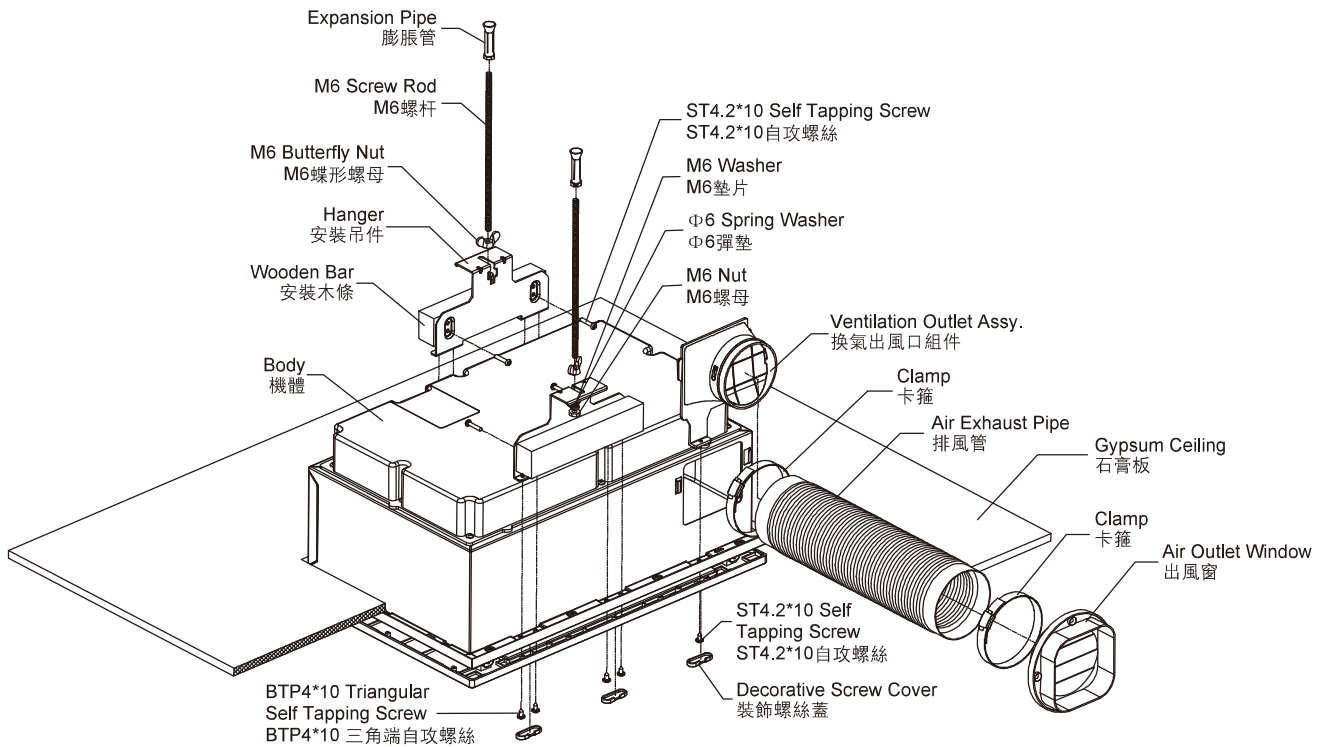
Model	K-77315TW-G-MZ
Voltage/Frequency	220V~/60Hz
Rated Input Power	2650W
Heater Power	2630W
Fan Power	30W
Dry Clothing Power	2650W(Hot)/50W(Cool)
Ventilation Power	20W
Air-care Power	30W
Lighting Power	12W
Lighting Input Current	300mA
Ventilation Volume	2.7m ³ /min
Ventilation Noise	39dB
Ingress Protection	IPX2 (Bathroom Heater) IPX4 (Remote Control)

規格

型號	K-77315TW-G-MZ
電壓/頻率	220V~/60Hz
額定輸入功率	2650W
熱風功率	2630W
涼風功率	30W
干燥功率	2650W(熱干燥)/50W(涼干燥)
換氣功率	20W
空氣净化功率	30W
照明功率	12W
照明輸入電流	300mA
換氣風量	2.7m ³ /min
換氣噪音	39dB
防護等級	IPX2 (浴室暖風乾燥機) IPX4 (遙控器)

SIMPLIFIED DIAGRAM OF THE UNIT

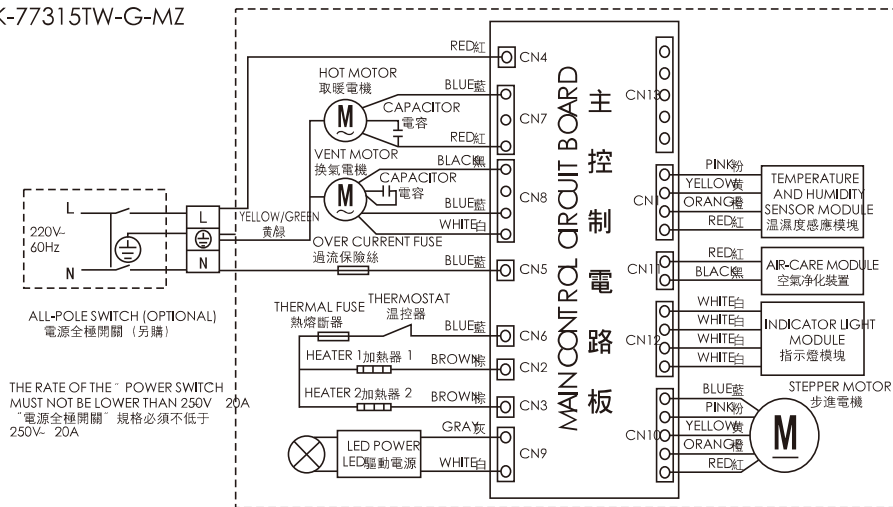
整體簡圖

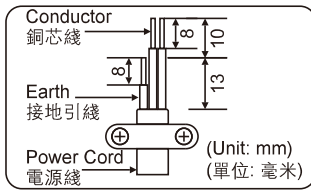


WIRING DIAGRAM

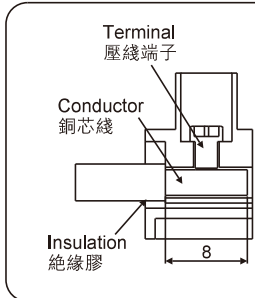
電氣原理圖

K-77315TW-G-MZ





Make sure the power cord installed firmly, otherwise it may catch fire.
確保電源線安裝到位，否則可能會引起火災。



- Insulation of power cord cannot be damaged.
- Copper cord must be inserted into the pillar terminal hole, and make sure all the cords under the terminal are inserted into the pillar terminal completely.
- Suggest using a power cord which with specification 60227 IEC 53 Model's powercord Specified in GB/T 5023.5 and with cross section of 3X1.5mm².
- 電源線的絕緣膠不能破損。
- 銅芯線必須到達端子臺的深處，並確保其在壓線端子的下方位置被全部插入接線孔。
- 電源線請選用GB/T 5023.5中所規定的60227 IEC 53型絞合軟線，導線的截面積為3X1.5mm²。

PREPARATIONS BEFORE INSTALLATION

安裝前準備

A. Preliminary Installation

A. 安裝前準備工作

1. Drill the hole of the Outlet Window

Fix the position of outlet window hole (above the suspended ceiling and below the bathroom heater outlet to prevent the water from coming back to the machine via the pipe), and then drill a round hole on the wall.

1. 開通風孔

確定牆上的通風口的位置(應在吊頂上方略低於換氣的出風口，以防止通風管內結露水倒流入主機)在該位置開一個圓孔。

2. Window Outlet Installation

Fix one end of the air exhaust pipe to the window outlet on the wall with a clamp and seal the pipe and the outlet window with foaming agent. Then connect the other end with the bathroom heater by a ventilation outlet assembly, and then fix it with a clamp.

2. 安裝通風窗接頭

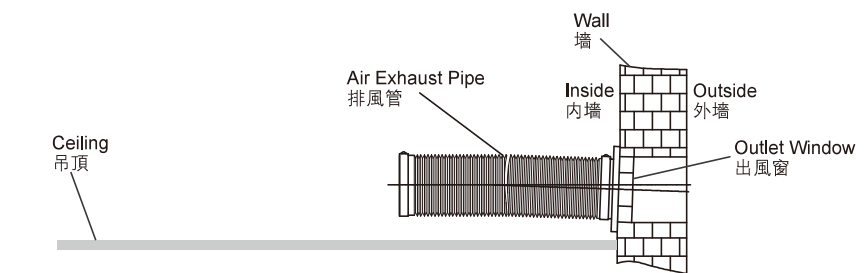
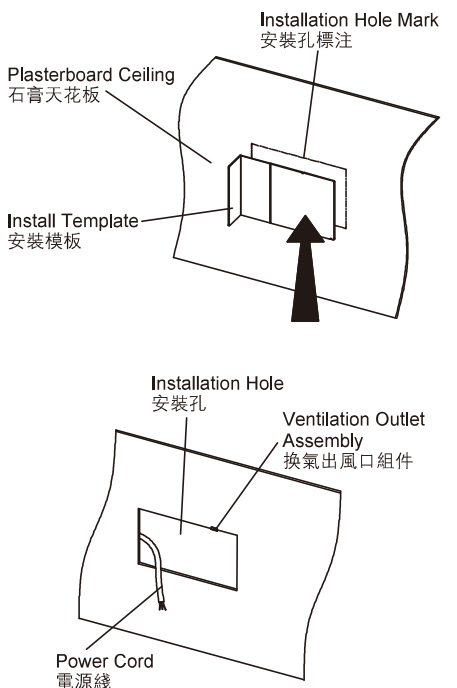
將排風管一端連接到外牆的出風窗上，用卡箍鎖緊，并用發泡劑填封。另一端延伸到浴室暖風乾燥機將要安裝的位置，並裝上換氣出風口組件，然後用卡箍鎖緊。

3. Make a Mounting Hole

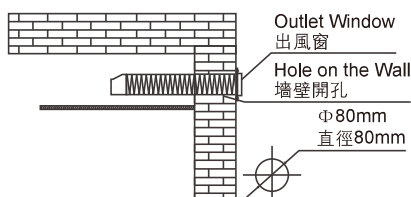
Fix the position to install the bathroom heater and then drill a (280⁺⁵ * 434⁺⁵) hole with an install template. And the draw the power adaptor wire and the ventilation outlet assembly to the plasterboard hole.

3. 開安裝孔

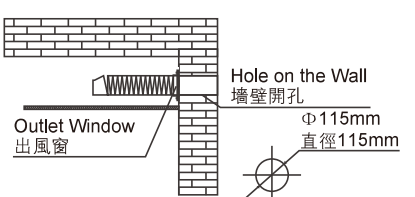
確定浴室暖風乾燥機的安裝位置，并使用安裝模板沿開孔折痕處至90度開孔(開孔尺寸：280⁺⁵ * 434⁺⁵)，將事先預埋好的電源線及換氣出風口組件拉至石膏板開孔處。



The situation of outlet window on the wall outside.
出風窗安裝在外牆的情況。

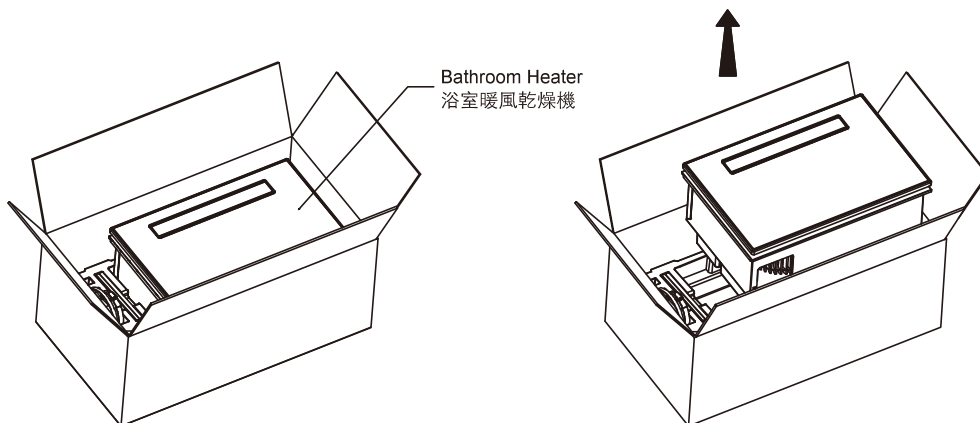


The situation of outlet window on the wall inside.
出風窗安裝在內牆的情況。



B. Take out the bathroom from package.

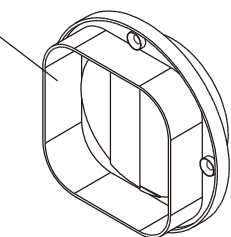
B. 從包裝箱中取出產品。



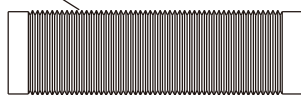
C. Packing List

C. 包裝明細表

1285547
Φ80 Air Outlet Window
Φ80出風窗

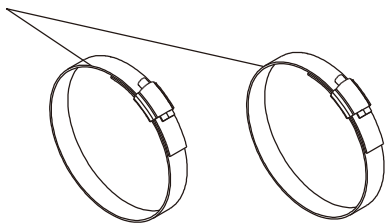


1285548
Φ80 Air Exhaust Pipe
Φ80排風管

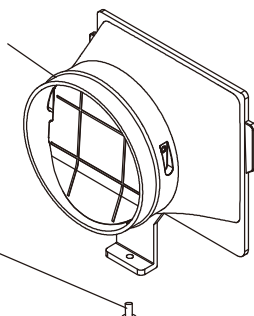


Note: Initial Length: 275mm
Stretch Length: 1300mm
注: 原始長度: 275mm
拉伸長度: 1300mm

1285549
Clamp
卡箍*2

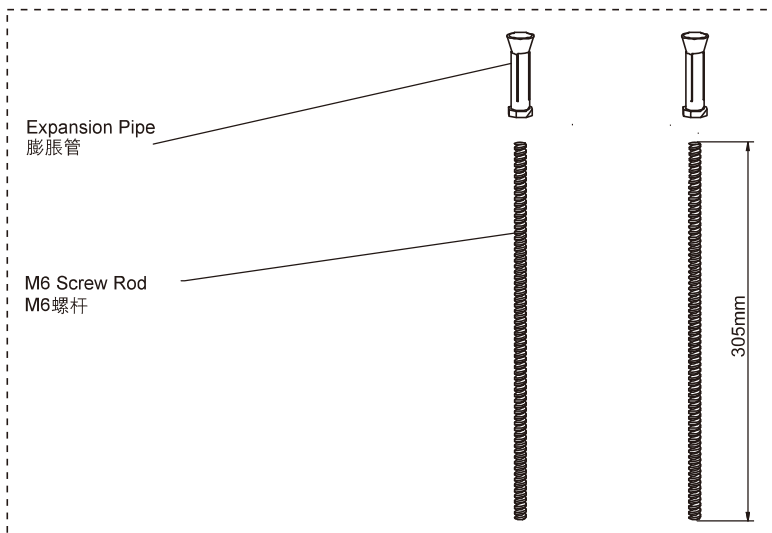


1346973
Ventilation Outlet Assy.
換氣出風口組件

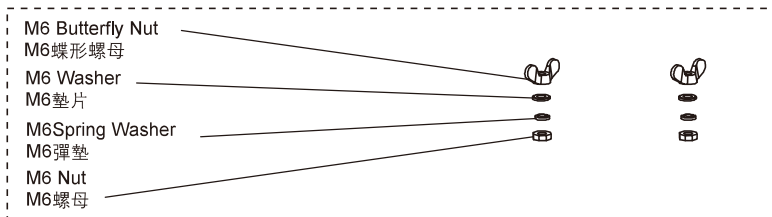


ST4.2*10 Self Tapping Screw
ST4.2*10自攻螺絲

1322379
Fixed Column Assy.
固定柱組件



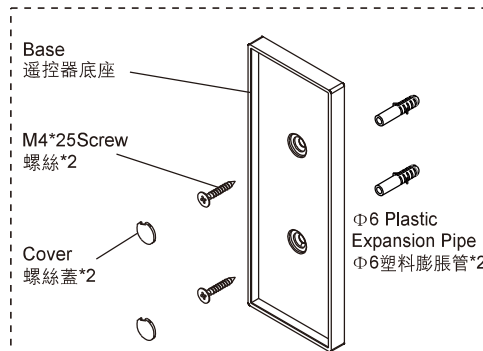
1322380
Lock Assy. / 鎖緊組件

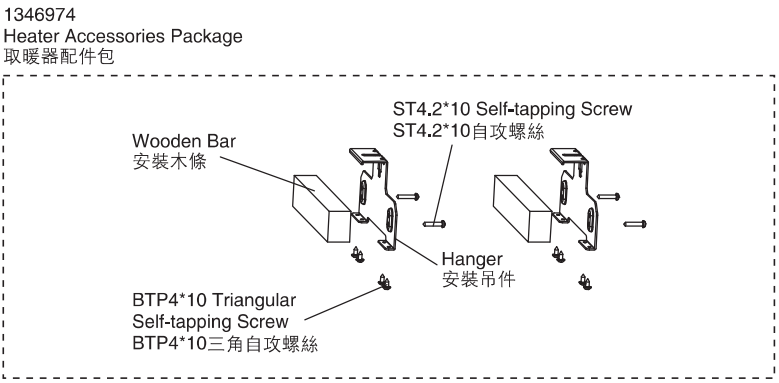
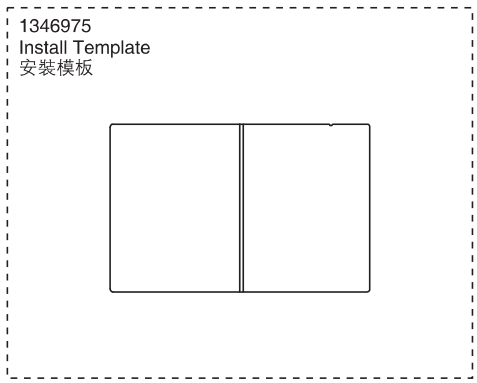


1397261
Remote Control
遙控器



1285556
Remote Control Base Assy.
遙控器底座組件





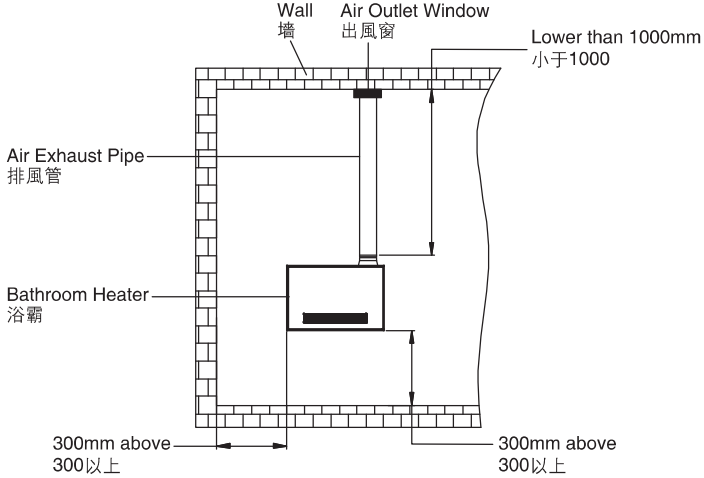
INSTALLATION 安裝

Caution before installation:

- The installed product must be 200mm or above away from curtains or other combustible materials.
- The distance between the ceiling where the product is mounted and the roof shall be 200mm or above.
- Ensure that the gap between the product edge and the wall is 300mm or above.
- The power cord to the product shall have enough length for the installation.
- The distance between the product and the air outlet window shall be 1000mm or lower.
- Cut the screw rod(M6) to suit the distance between the ceiling and the roof.
- The screw rods(M6) must be used during installation.

安裝前確認事項:

- 離窗簾和其它易燃材料距離200mm以上。
- 用于安裝本品的吊頂離房屋頂部的距離在200mm以上。
- 產品安裝邊緣至牆壁的距離在300mm以上。
- 電源綫請預留足夠長度，以備于安裝。
- 排風管距離內牆面小於1000mm。
- 依據吊頂高度，裁剪合適長度的安裝螺桿(M6)。
- 該產品安裝必需用螺桿(M6)以確保安全使用。

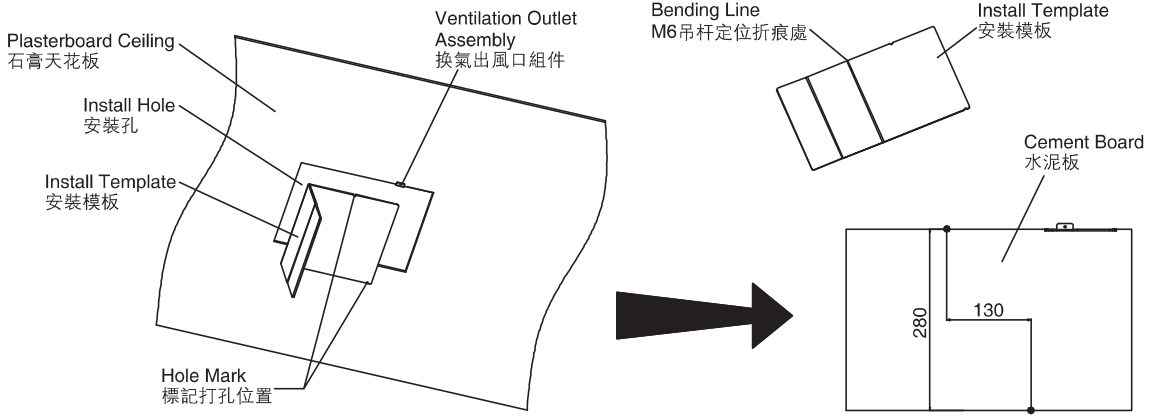


Step One:

Bend the installation template to 90°, and mark the position of the screw rods on the ceiling to make the holes.

第一步:

取出安裝模板，在M6吊杆定位折痕處將紙板折至90度。將安裝模板在離換氣出風口最遠端推至水泥板，標記M6吊杆位置，在水泥頂標注的吊杆位置鑽孔。

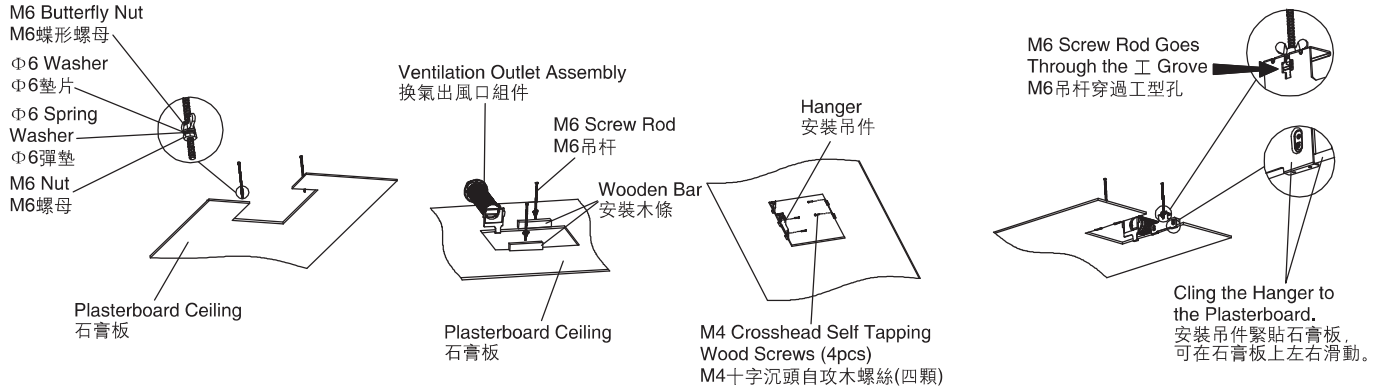


Step Two:

Fix the M6 screw rods in the drilled holes with M6 nuts and washers. Place two wooden bars on the plasterboard ceiling, and attach the hangers to the bars with M4 self-tapping screws. The hangers are supposed to cling to the plasterboard. Finally fix the M6 screw rod with the hanger.

第二步:

在M6吊杆鑽孔位置，將M6吊杆固定于水泥板上，鎖上M6蝶形螺母、Φ6墊片、Φ6彈墊及M6螺母。分別將兩根安裝木條放置于石膏頂上，用M4自攻螺絲將安裝吊件固定于木條上（要求安裝吊件緊貼石膏板，可在石膏板上左右滑動，如下圖所示）。將M6吊杆穿過安裝吊件工型孔，鎖緊M6蝶形螺母及M6螺母。

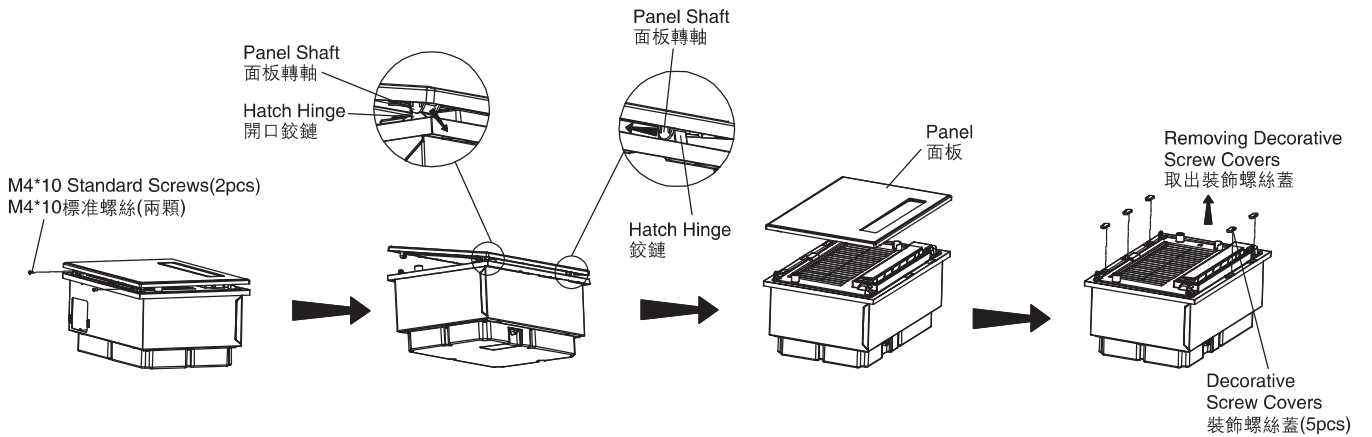


Step Three:

Take off the panel by removing screws, guiding light and LED connector. Remove the decorative screw covers (5pcs).

第三步:

用螺絲刀卸下固定面板的M4*10標準螺絲（2顆），打開面板，拔出指示燈及LED燈接頭，取下面板(將開口鉸鏈端的面板轉軸隨箭頭方向推出，然後推出另一端的面板轉軸)，取下底座上的裝飾螺絲蓋（5pcs）。

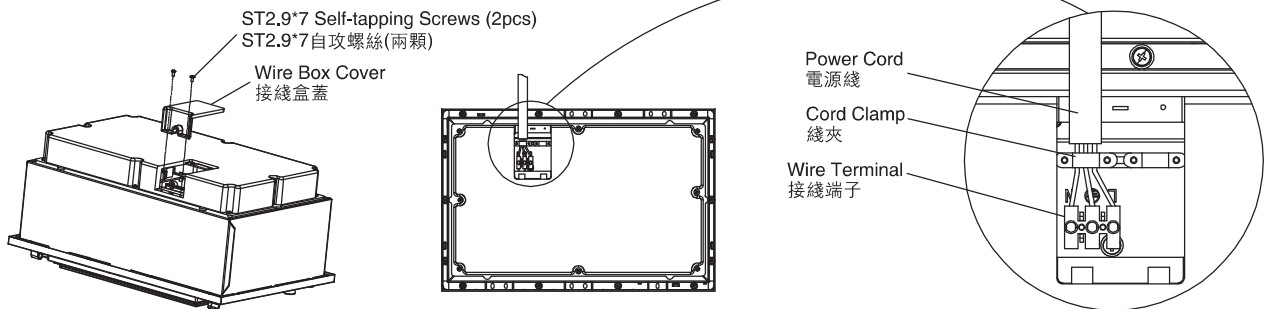


Step Four:

Open the wire box cover and plunge the power cords into the wire terminal. After that, put back the electric box cover.

第四步:

取下接線盒蓋上的ST2.9*7自攻螺絲（兩顆），打開接線蓋板，鬆脫固定電源綫綫夾的螺絲，鬆開接綫柱上的螺絲，將室內固定綫路的電源綫接入接綫柱，擰緊接綫柱螺絲。用電源綫綫夾將電源綫固定，將電源綫接入主機，並蓋好電器盒蓋。

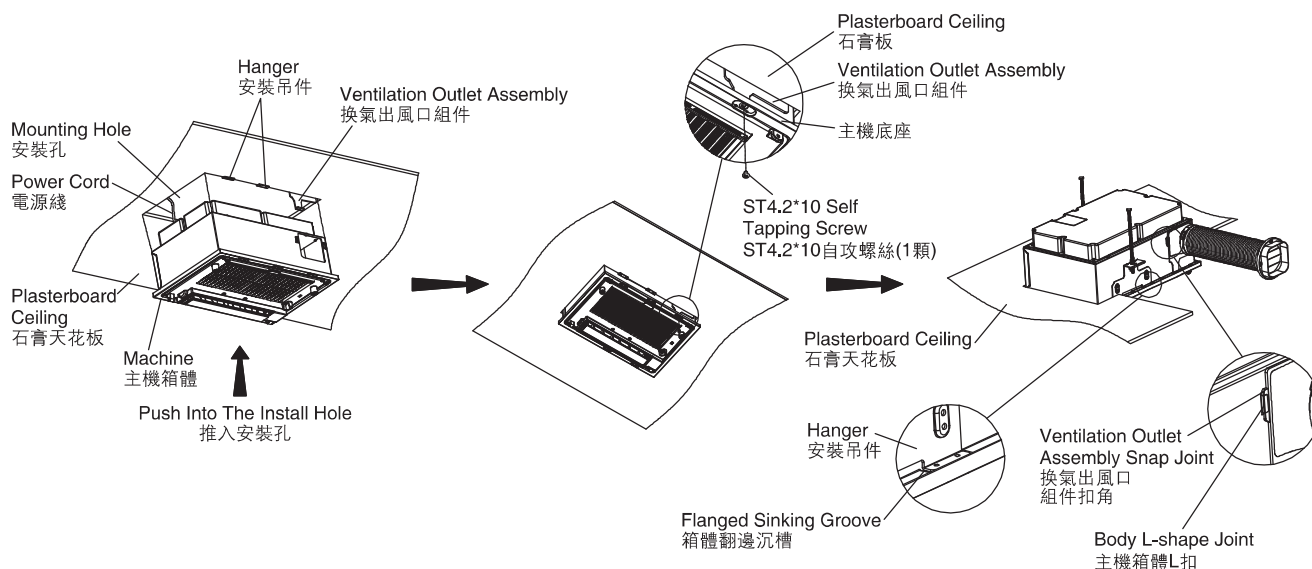


Step Five:

Push the body into the install hole within an appropriate position. Make sure the ventilation outlet assembly match well with the body. Fix the body to the assembly with one ST4.2*8 self-tapping screw.

第五步:

將主機推入安裝孔適當位置，拉下預先放置的換氣出風口組件，使換氣出風組件扣角掛入主機箱體L扣內。使用ST4.2*8自攻螺絲(1顆)與主機底座固定鎖緊，再將主機往安裝孔內推入，使安裝吊件沉入鐵箱體翻邊沉槽內。

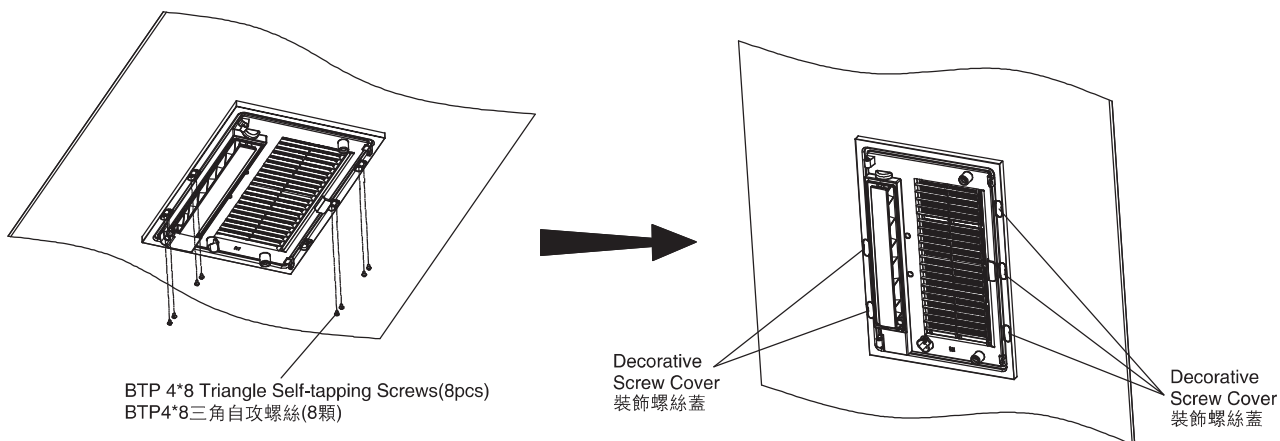


Step Six:

Fix the body to the hanger tightly with 8 BTP 4*8 triangle self-tapping screws. And put back the decorative screw covers.

第六步:

用BTP4*8三角自攻螺絲(8顆)將機體與安裝吊件固定鎖緊，然後蓋上裝飾螺絲蓋。

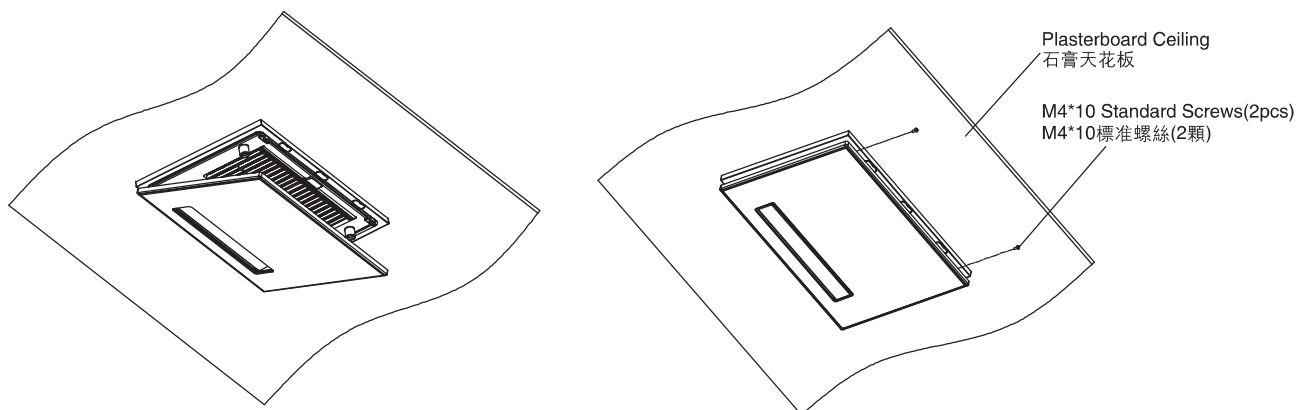


Step Seven:

Put back the bathroom heater panel and fix it with two M4*10 screws.

第七步:

將面板裝上，將步驟3中卸下的M4*10標準螺絲(2顆)將面板與主機連接固定。(安裝完畢)



INSTALLATION OF REMOTE CONTROLLER HOLDER

安裝遙控器支架

NOTE: If the wall for installation is made of special material (such as wood board, density board and etc.), suitable fixing methods shall be adopted.

注意：如果安裝牆面是特定材料（比如木板、密制板等）時，使用合適的固定方法。

NOTE: The place to install the remote controller shall not be easily splashed by water.

注意：遙控器的安裝位置應該是不易被水淋到的地方。

Choose a mounting location for the remote holder.

選擇一個合適地方安裝遙控器支架。

Drilling two holes with depth larger than 45mm on the wall by drill with a diameter of 6mm in accordance with the position of screw holes on the remote control holder. Installing the expansion tube into the holes.

根據遙控器支架螺釘孔的位置，用直徑6mm的鑽頭在牆上鑽兩個深度 大于45mm的孔。在孔中裝入膨脹管。

Placing the installation holder on the fixing hole.

將安裝支架在放置固定孔上。

Fixing the holder with screws and install it.

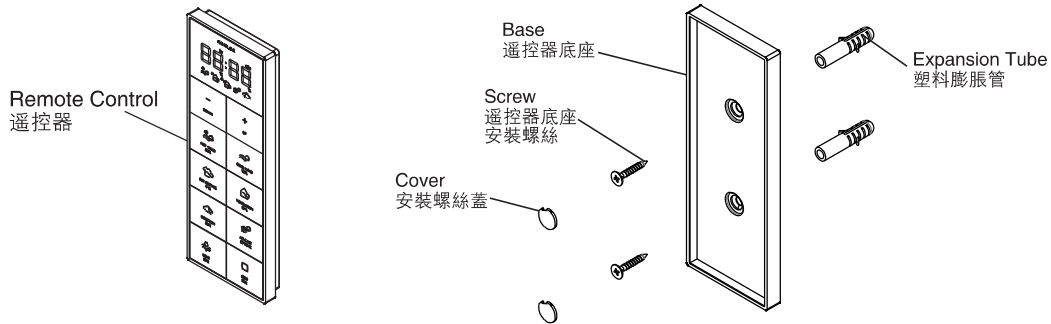
用螺釘固定安裝支架。

Installing the screw covers on the screws.

把螺釘蓋裝在螺釘上。

Placing the remote controller on the holder.

把遙控器放在支架上。

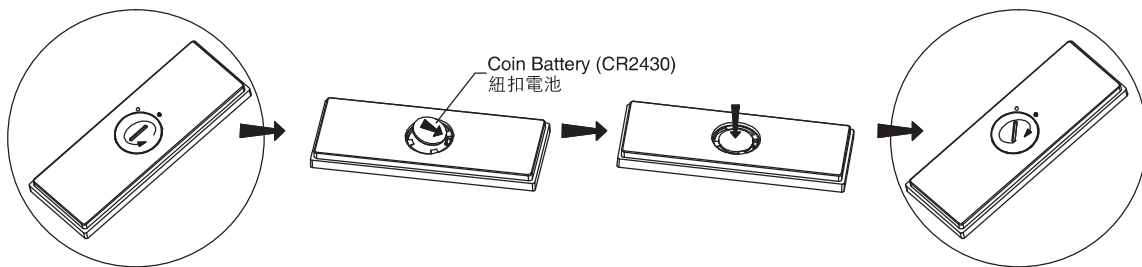


INSTALLATION OF COIN BATTERY

遙控器鈕扣電池的安裝

Please follow the installation diagram.

按圖示指導進行安裝。

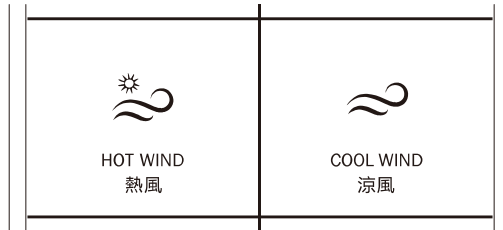


A. Pairing

- Connect to the power source, press the "HEATER" and "FAN" together within 3 minutes to make the pairing. "Beep, Beep, Beep" will be heard and the LED lamp will be turned on if the pairing successfully.

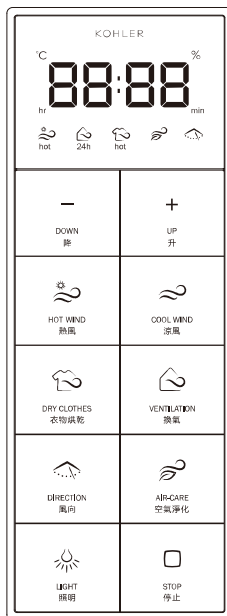
A. 遙控器配對

- 通電3分鐘內，請同時按壓“熱風”和“涼風”，設備發出“嗶嗶嗶”三聲，並且照明LED燈亮起，遙控器完成配對。



B. Button Function

B. 按鍵功能

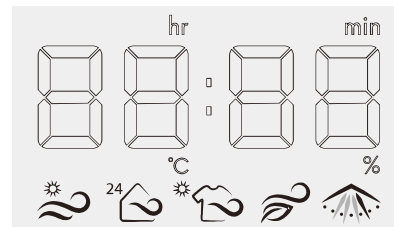


- DOWN : Timer down
減號：減少設定時間。
- +** UP : Timer up
加號：增加設定時間。
- HEATER** : Turn on the heater mode
熱風：開啓“熱風”模式。
- FAN** : Turn on the fan mode
涼風：開啓“涼風”模式。
- DRY** : Turn on the hot /cool dry clothes mode
干燥：開啓“干燥”模式，切换“熱干燥”或者“涼干燥”，默認爲上一次的操作。
- VENTILATION** : Turn on the ventilation/long time vent mode
換氣：開啓“換氣”模式，切换“換氣”或者“24小時換氣”，默認爲上一次的操作。
- AIR FLOW** : Set the air flow swing or fixed
風向：設定擺風或者固定風向，默認爲自動擺風。
- AIR-CARE** : Turn on the air-care mode
空氣净化：開啓空氣净化模式。
- LIGHT** : Lighting on and off/changed the light color
照明：開啓燈光/切换燈光顏色。
- STOP** : Stop certain function
停止：停止任意功能(除照明)。

C. Display information

C. 顯示說明

- Hour 小時
- Minute 分鐘
- Celsius 攝氏度
- Humidity 濕度
- HEATER 熱風
- FAN 涼風
- HOT DRY 熱干燥
- COOL DRY 涼干燥
- 24H VENTILATION 24小時換氣
- VENTILATION 換氣
- AIR-CARE 空氣净化
- AIR FLOW FIXED 固定風向
- SWING MODE 自動擺風



D. Activated mode

- During the standby mode, press any button to the activated mode. Room temperature is displayed in K-77315H-G-MZ. Display will be turned off if there is no any further action within 10 seconds.
- During the working mode, display the room temperature and humidity. Display will be turned off after the countdown finish.
- Press the function button, the "beep" will be heard.

E. Time setting

- Setting time could be changed during the "HEATER", "FAN", "DRY", "VENTILATION" and "AIR-CARE" mode.
- Setting time will be changed back to the default after each use.
- "HEATER": the default time is 6 hours, minimum time is 10 minutes, and maximum time is 6 hours.
- "FAN": the default time is 6 hours, minimum time is 10 minutes, and maximum time is 6 hours.
- "DRY": the default time is 6 hours, minimum time is 10 minutes, and maximum time is 6 hours.
- "VENTILATION": the default time is 6 hours, minimum time is 10 minutes, and maximum time is 6 hours.
- "AIR-CARE": the default time is 2 hours, minimum time is 10 minutes, and maximum time is 2 hours.
- "24H VENTILATION": the default time is 24 hours, the setting time cannot be changed.

D. 激活模式

- 待機狀態下，用戶按壓任意鍵會進入**激活模式**，屏幕被激活，K-77315TW-G-MZ顯示當前室內溫濕度，10秒內沒有進一步操作，則屏幕熄滅。
- 工作狀態下，屏幕保持常亮，顯示室內溫度和濕度，直至倒計時結束，機器關閉，遙控器屏幕熄滅。
- 按壓遙控器任意鍵，機器會發出“嗶”的提示音。

E. 時間設置

- 在“熱風”，“涼風”，“干燥”，“換氣”，“空氣淨化”狀態下，可以按壓“+”和“-”來調節設定時間。每次使用都會恢復到默認時間。
- “熱風”：默認時間是6小時，最小時間是10分鐘，最大時間是6小時。
- “涼風”：默認時間是6小時，最小時間是10分鐘，最大時間是6小時。
- “熱/涼干燥”：默認時間是6小時，最小時間是10分鐘，最大時間是6小時。
- “換氣”：默認時間是6小時，最小時間是10分鐘，最大時間是6小時。
- “空氣淨化”：默認時間是2小時，最小時間是10分鐘，最大時間是2小時。
- “24小時換氣”：默認時間是24小時，時間不可調。

TROUBLESHOOTING

Problem	Diagnosis	Solution
Bathroom Heater does not work.	A. A power failure occurred.	A. Wait until the power is restored.
	B. The power cord is disconnected.	B. Connect the power cord into the junction box of bathroom heater.
	C. Circuit breaker is in the "Off" position.	C. Turn on the power at the breaker.
The remote controller does not display.	A. The battery has been used up.	A. Please replace the battery.
	B. The polarity of battery was installed inversely.	B. Please install the battery correctly.
	C. No wake-up.	C. Press any key to wake-up.
The remote controller does not work.	A. No pairing with the bathroom heater.	A. Make the pairing.
	B. The remote controller is used in an inappropriate position or angle.	B. Change the using position or angle to make the controller towards the bathroom heater.
	C. Low battery.	C. Change the battery.
Red LED is on.	A. Temperature sensor error.	Call the Customer Service Centre using the information provided on the Compliance Certification.
	B. Humidity sensor error.	
	C. Heating system error.	
Red LED is flash.	A. Dust filter need be clean.	A. Clean the filter or press the "+" for 2 seconds in the Activated mode(Page 12).

簡單故障排除

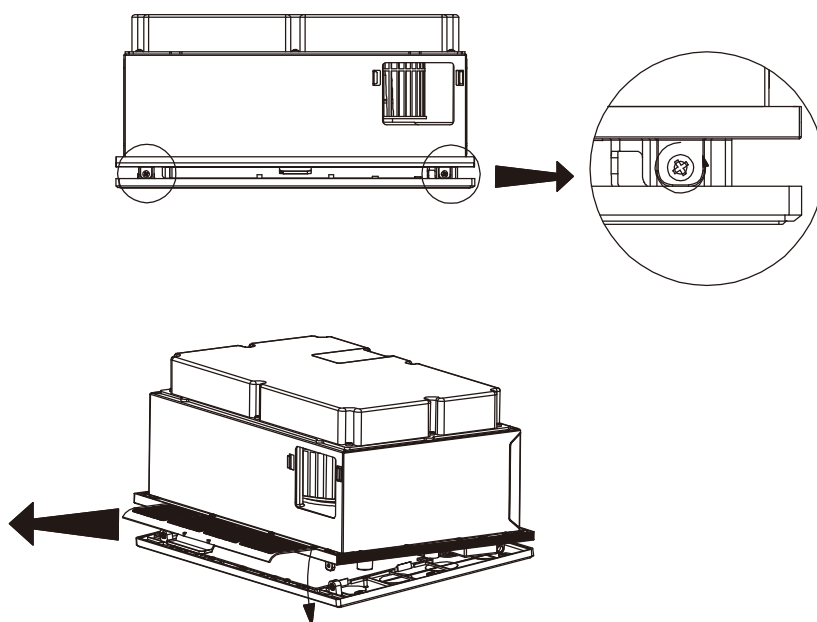
問題	判斷分析	解決方法
浴霸不工作。	A. 停電。	A. 等到電力恢復。
	B. 未接上電源綫。	B. 將電源綫正確連接到浴室暖風乾燥機。
	C. 電源斷路器是關閉狀態。	C. 打開電源斷路器。
遙控器無顯示。	A. 電池電量耗盡。	A. 更換新電池。
	B. 電池極性裝反。	B. 重新安裝。
	C. 沒有喚醒。	C. 按任意鍵喚醒。
遙控器無法遙控浴室暖風乾燥機	A. 遙控器沒有配對。	A. 請配對遙控器。
	B. 使用遙控器的位置和角度不當。	B. 改變使用位置和角度使遙控器對着浴室暖風乾燥機。
	C. 電池電量不足。	C. 更換新電池。
紅色燈亮起。	A. 溫度傳感器故障。	請使用合格證上的信息聯系客服中心。
	B. 濕度傳感器故障。	
	C. 加熱系統故障。	
紅燈閃爍。	A. 濾網需要清潔。	A. 清潔濾網，或者在激活模式下（P12頁）長按“+”號鍵2秒。

CARE & CLEAN (PROFESSIONAL ONLY)

1. Turn off power supply before maintenance or cleaning. If Casing or Air Louver are covered with dust, do not splash water onto it. Use only damp sponge or cloth to wipe dirt off.
2. Do not use eradicator, abrasive powder or oil, acid or alkali liquid detergent to clean casing or air louver.
3. Never try to put a small screw-driver or any other object into the holes of air Louver from outside. This might cause damage to the interior parts, and electric shock may occur.
4. Shut off the all-pole switch.
5. Wipe the front panel and the panel base with a soft cloth.
6. Remove the filter from the louver.

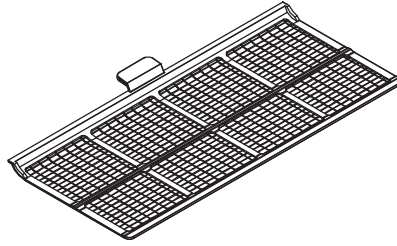
清潔保養（請由專業人士操作）

1. 請先關閉電源或拔下插頭，然後再用柔軟的濕布擦拭清潔表面和出風口柵片，切記絕對不可用水直接衝洗。
2. 禁止使用去污粉、研磨粉及油類、酸性類、鹼性類清潔劑清潔表面和出風口柵片。
3. 請勿將螺絲刀或任何細長尖銳物品伸入出風口柵片內，因為這樣可能導致內部零件損壞及觸電等意外事件。
4. 斷開“電源全極開關”。
5. 用軟布擦拭前面板及面板底座。
6. 將過濾網從面板組合中拆除。



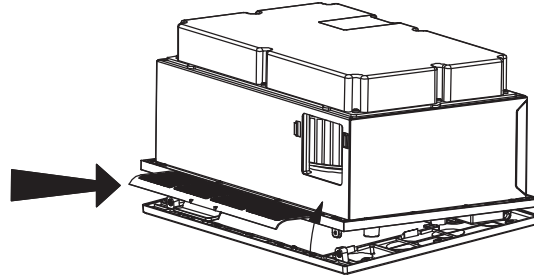
7. Use a vacuum cleaner to remove dust and dirt from the filter.

7. 用吸塵器清除過濾網上的灰塵和污垢。



8. Reinstall the filter assembly.

8. 重新安裝過濾網組合。



9. Turn on the all-pole switch.

9. 開啓“電源全極開關”。

10. Press the "+" for 2 seconds in the Activated mode(Page 12) to reset the filter cleaning indication.

10. 取消機體接受過濾網清潔提示。在激活模式下 (P12頁) 長按“+”號鍵2秒。機體發出“嗶嗶”聲，紅燈閃爍停止。

IMPORTANT CONSUMER INFORMATION

用戶須知

1. When AC power unit is connected to 220V AC power supply, corresponding protective measures should be taken.
2. Please confirm no water penetration at the connection area of AC wire, and the connection area is not easy to be affected by damp.
3. The head AC power supply must be protected with appropriate fuse.
4. Please confirm the AC power supply should be shut off before maintaining the products with AC power related.
5. All electrical connection must be compliance with related regulation and codes.
6. All installation staff should be well familiar with installation instruction.
7. Non-professionals must not take apart panel assembly or base assembly at any time.
8. Precautions must be taken to avoid the back-flow of gases into the room from the open flue of gas or other fuel-burning appliances.

1. 將產品接入220V電源時，應採取相應的防衛措施。
2. 應確保交流導線連接處無水滲入以及不易受潮。
3. 交流電的總電源必須有合適的熔斷絲加以保護。
4. 維修交流供電型的產品時，必須首先斷開交流電源。
5. 所有電路連接必須符合相關規範和條例要求。
6. 所有參與安裝人員都必須熟知安裝說明。
7. 非專業人士請勿打開面板或底座組件。
8. 請注意避免源于任何開放烟道或者明燃設備的回流氣體。



Products are not suitable for covering with thermally insulating material.



產品不可被絕熱材料覆蓋。

Notice: Troubleshooting needs to be done by professional of KOHLER CHINA. Users are not suggested to do this without help. Please remember that the checking and repairs done by users themselves could easily cause damage to the machine or cause physical harm to the person.

注意：本產品需由本公司專業人員維修，用戶在沒有任何技術協助下修理機器，易導致零件損壞或人身傷害。