

# KOHLER®

## INSTALLATION INSTRUCTIONS

### 安装说明书

## Mop Faucet

### 拖把槽龙头

### 13901T-4-CP

### 拖把槽龙头

#### 安装之前

#### BEFORE YOU BEGIN

所有的资料是按最新出版的产品资料编写而成。科勒公司保留任何时候不经通知即可改变产品特性、包装或产品可供类型的权利。

说明书包括重要的安装、保养及清洁方面的内容,请把这些资料交给用户阅读。

#### 注意事项:

1. 一定要先彻底冲洗供水管以清除管道中的杂质。
2. 使用静水压力不超过 1.0Mpa(10bars), 适用水温 0°C~80°C。

All information is based on the latest product information available at the time of publication. Kohler Co. reserves the right to make changes in product characteristics, packaging, or availability at any time without notice. Please leave these instructions for the consumer. They contain important information.

#### NOTES:

1. Flush the water supply pipe thoroughly to remove debris.
2. The static water pressure should not exceed 1.0Mpa(10bars). The supply water temperature should be between 0°C and 80°C.

#### 使用说明

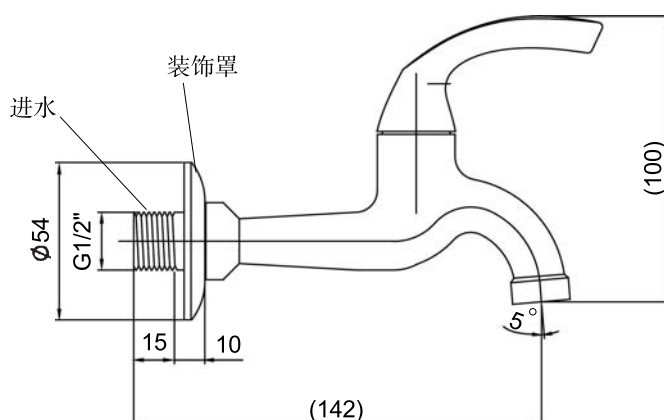
#### HANDLE OPERATION

顺时针旋转手柄为关,逆时针为开。

The handle closes with one-quarter turn clockwise, opens with one-quarter turn counter-clockwise.

#### 安装尺寸

#### ROUGH-IN DIMENSIONS



北京科勒有限公司

中国北京市密云县果园西路27号 邮编:101500

|   |   |
|---|---|
| <h2>安装步骤</h2>   | <h2>INSTALLATION</h2>   |
| <h3>如何安装龙头</h3> <p>切断供水管路。将装饰罩套入进水牙管,在装饰罩背面边缘涂一圈油灰。在进水牙管上缠密封胶带或涂密封膏,将龙头装在供水管路上,用带状扳手旋紧。将装饰罩向后推,靠墙贴紧。去除多余油灰。</p>   | <h3>How To Install The Faucet</h3> <p>Shut off the water supply. Slide the escutcheon to the inlet shank. Apply a ring of plumbers putty around the underside of the escutcheon. Apply tape or sealant to the inlet shank and install it to the pipe. Tighten with a strap wrench. Push the escutcheon against the wall and remove any excess putty.</p>  |
| <h2>安装结果检查</h2>   | <h2>INSTALLATION CHECKOUT</h2>  |
| <p>检查并确保所有的衔接处都已拧紧。确保手柄处于关闭位置。打开主供水源,检查并修理有漏水的接口。</p>   | <p>Ensure that all connections are tightened, and the handle is in the off position. Turn on the main water supply and check for leaks. Repair as required.</p>   |
| <h2>清理说明</h2>   | <h2>CLEANING INSTRUCTIONS</h2>  |
| <p>适用于所有加工处理过的表面:以中性肥皂水清洗镀层表面,再以干净的软布彻底擦干整个表面,许多清洁剂,比如氨水、去污粉及洁厕灵等,会对电镀表面造成伤害,切忌使用。</p> <p>有磨损性的清洁用具或清洁剂也不可用于科勒牌的水龙头及其配件上。</p>   | <p>All Finishes: Clean the finish with mild soap and warm water. Wipe entire surface completely dry with clean soft cloth. Many cleaners may contain chemicals, such as ammonia, chlorine, toilet cleaner etc. which could adversely affect the finish and are not recommended for cleaning.</p> <p>Do not use abrasive cleaners or solvents on Kohler faucets and fittings.</p>  |
| <h2>质量担保</h2>   | <h2>WARRANTY</h2>   |
| <p>科勒对正常使用下由阀芯造成的龙头滴漏现象,及正常使用下的龙头制造和质料上的瑕疵提供长达三年的质量担保,对其后出现的损坏不负任何责任。</p> <p><b>注意:</b>担保范围不包括:水压不足或过高,水温低于0°C,水中的杂质过多,水质过硬和不正当清洗所导致的问题;私自拆装产品,外观碰伤,使用不当以及未按说明书安装的额外损失;未有列明的修理和零件以及安装费用。</p> <p>要获得担保服务,请通过您的安装承建者,或写信给科勒中国客户服务中心(请出示销售发票原件作为购货凭证):</p> <p>科勒(中国)投资有限公司中央客户服务中心<br/>中国上海市浦东新区金滇路18号E幢<br/>邮编:201206<br/>免费咨询保修电话:8008202628 &amp; 4008202628<br/>网址:www.kohler.com.cn</p> | <p>Kohler provides three years warranty for its faucet to be leak &amp; drip and all other aspects of defects of material &amp; workmanship free during normal residential and commercial use from the date the product is purchased.</p> <p><b>NOTES:</b> This warranty does not cover problems arising from insufficient or beyond the upper limit of the water pressure, water supply temperature below 0°C, excessive water impurities, hard water quality or improper care or cleaning. Kohler is not responsible for disassembling the product, surface damage, labor charges, installation, or other incidental or consequential costs.</p> <p>To obtain warranty service, please contact your distributor or plumbing contractor or write to the following Kohler Customer Service Center (Please provide all pertinent information regarding your claim, including the original invoice, a complete description of the problem ect.):</p> <p>Central Customer Service Center, Kohler China Investment Co., LTD.<br/>Building E, 18 Jindian Road, Pudong New Area, Shanghai, PRC<br/>Post Code: 201206<br/>Toll-free service call: 8008202628 &amp; 4008202628<br/>Website: www.kohler.com.cn</p> |