

45368T

花洒托架

安装之前

BEFORE YOU BEGIN

所有的资料是按最新出版的产品资料编写而成。科勒公司保留任何时候不经通知即可改变产品特性、包装或产品可供类型的权利。

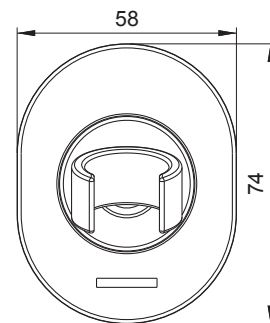
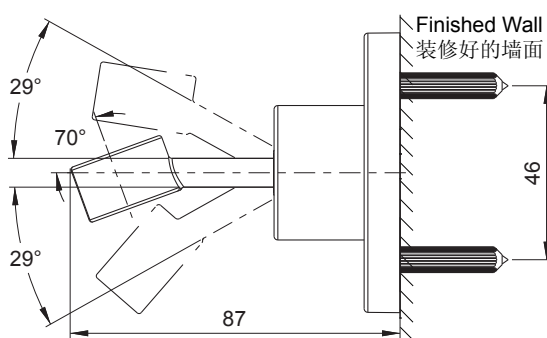
All information is based on the latest product information available at the time of publication. Kohler Co. reserves the right to make changes in product characteristics, packaging, or availability at any time without notice.

说明书包括重要的安装、保养及清洁方面的内容，请把这些资料交给用户阅读。

Please leave these instructions for the consumer. They contain important information.

安装尺寸

ROUGH-IN DIMENSIONS



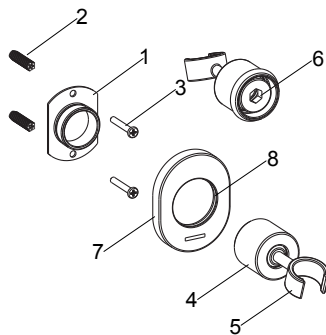
安装步骤

INSTALLATION

在墙面选一合适的位置来安装托架。

Determine a suitable location on the finished wall to install the bracket.

根据安装尺寸在墙壁上标出底座(1)安装孔位。根据胀塞(2)直径钻孔，安装胀塞。旋紧螺钉(3)，固定底座。安装托架(4)之前，检查托架的花洒托环(5)是否松动，如果松动，用9.5mm六角扳手(客户自备)锁紧托架底部的螺母(6)。将装饰盖(7)带O型圈(8)套在托架底部。将托架旋紧到底座上。后推装饰盖使其紧贴墙壁。



Mark bracket support(1) mounting hole locations on the wall according to the dimension. Drill two holes on the finished wall, the holes should match the anchors(2). Install the anchors. Tighten screws(3) to secure bracket support. Before installing the bracket(4), check if the ring(5) of the bracket loosens. If yes, tighten the nut(6) on the bottom of the bracket with 9.5mm hex wrench(not provided). Slide the escutcheon(7) with the o-ring(8) onto the bottom of the bracket. Tighten the bracket onto the bracket support. Push the escutcheon against the finished wall.

清洗说明

适用于所有加工处理过的表面：以中性肥皂水清洗镀层表面，再以干净的软布彻底擦干整个表面，许多清洁剂，比如氨水、去污粉及洁厕灵等，会对电镀表面造成伤害，切忌使用。

有磨损性的清洁用具或清洁剂也不可用于科勒牌的水龙头及其配件上。

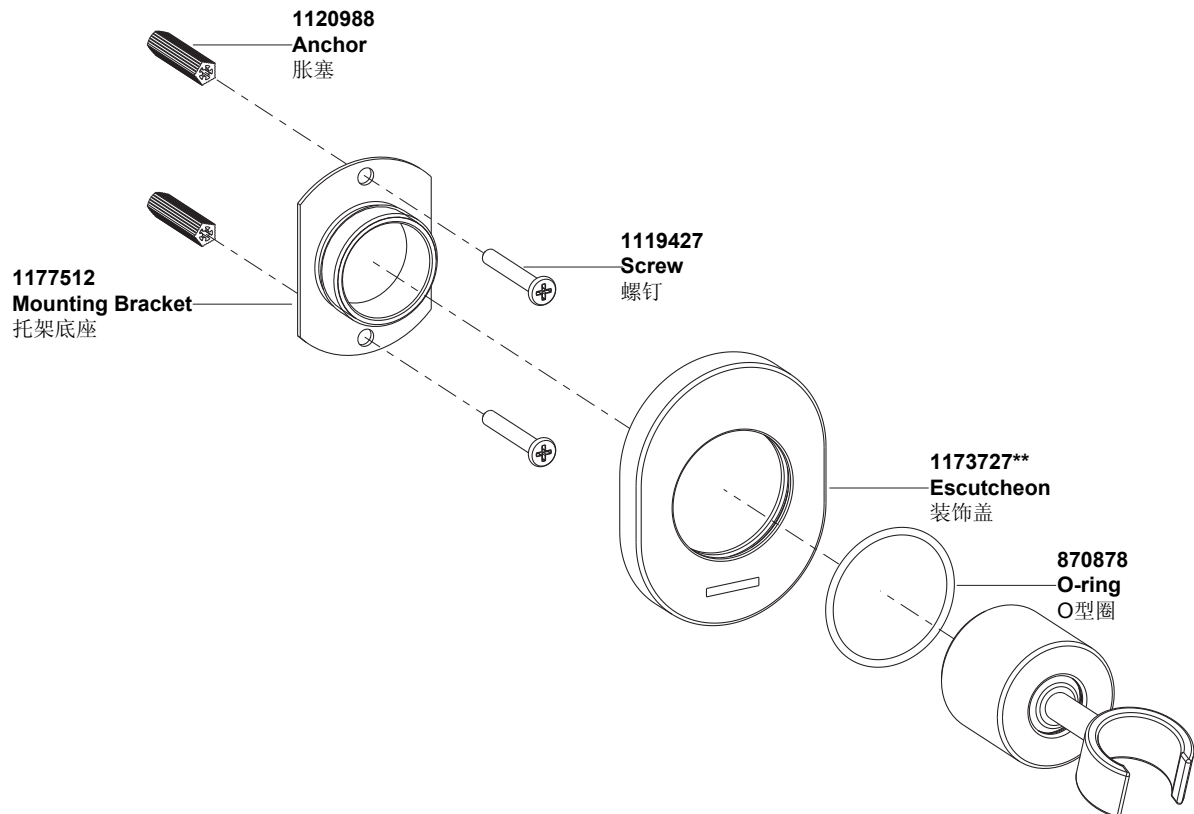
CLEANING INSTRUCTIONS

All Finishes: Clean the finish with mild soap and warm water. Wipe entire surface completely dry with clean soft cloth. Many cleaners may contain chemicals, such as ammonia, chlorine, toilet cleaner etc. which could adversely affect the finish and are not recommended for cleaning.

Do not use abrasive cleaners or solvents on Kohler faucets and fittings.

零件图

SERVICE PARTS



**订购时请说明颜色编号
**Color code must be specified when ordering