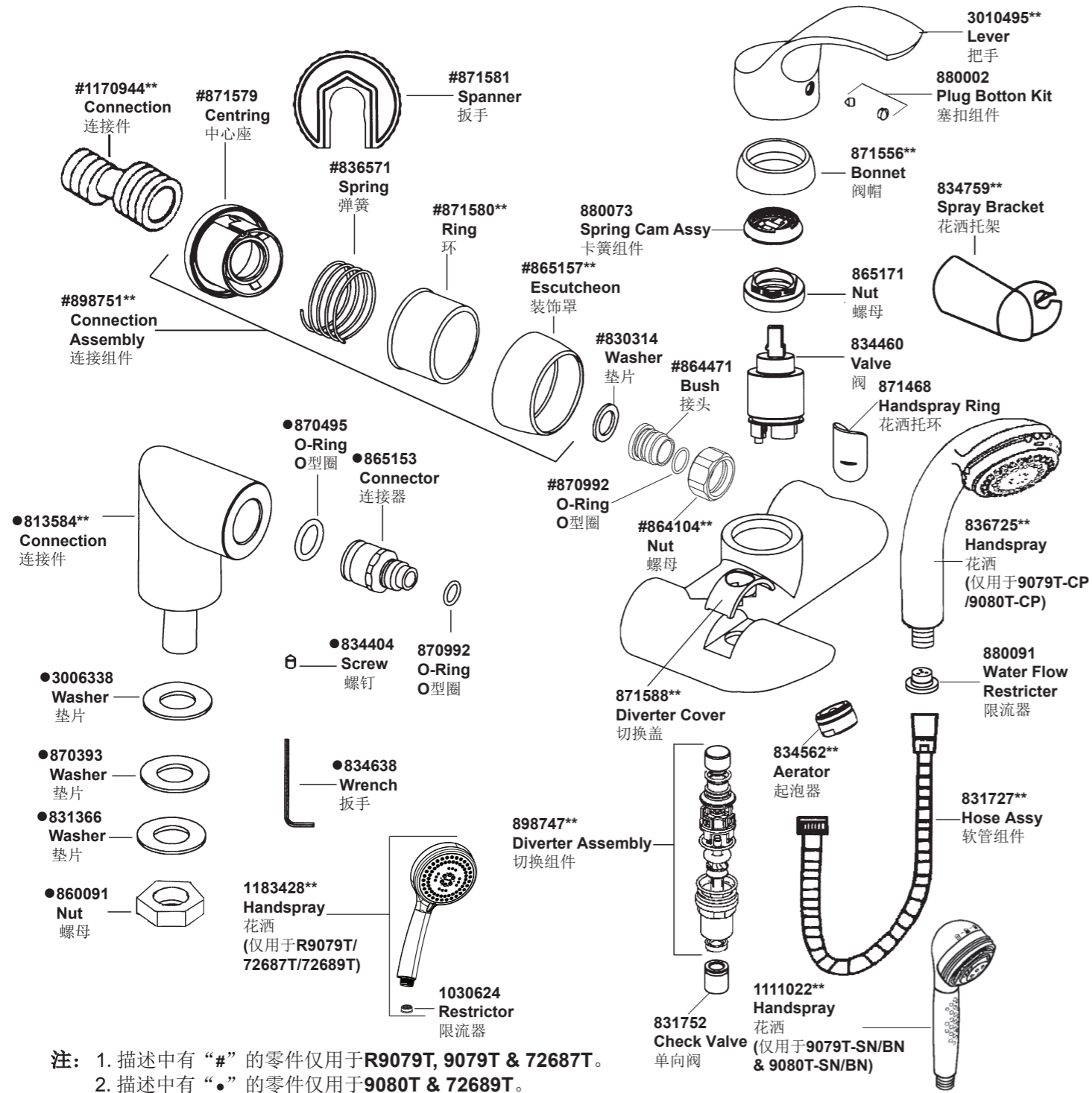


R9079T 9079T 72687T 挂墙式浴缸花洒龙头
9080T 72689T 缸边式浴缸花洒龙头



注: 1. 描述中有“#”的零件仅用于R9079T, 9079T & 72687T。
2. 描述中有“•”的零件仅用于9080T & 72689T。

**订购时请说明颜色编号
**Color code must be specified when ordering

R9079T 9079T 72687T 挂墙式浴缸花洒龙头
9080T 72689T 缸边式浴缸花洒龙头

安装之前

所有的资料是按最新出版的产品资料编写而成。科勒公司保留任何时候不经通知即可改变产品特性、包装或产品可供类型的权利。

说明书包括重要的安装、保养及清洁方面的内容, 请把这些资料交给用户阅读。

注意事项:

1. 一定要先彻底冲洗供水管以清除管道中的杂质。
2. 切换器正常工作的最小压力为0.05MPa(0.5bar)。
3. 花洒最高工作压力: 0.5MPa(5bar)。水压超过0.5MPa(5bar)须安装减压阀。花洒最高工作温度及环境温度: 60°C。请特别注意花洒同花洒连接的臂管须远离浴霸, 否则可能损坏花洒及其密封件, 甚至对使用者造成伤害。

BEFORE YOU BEGIN

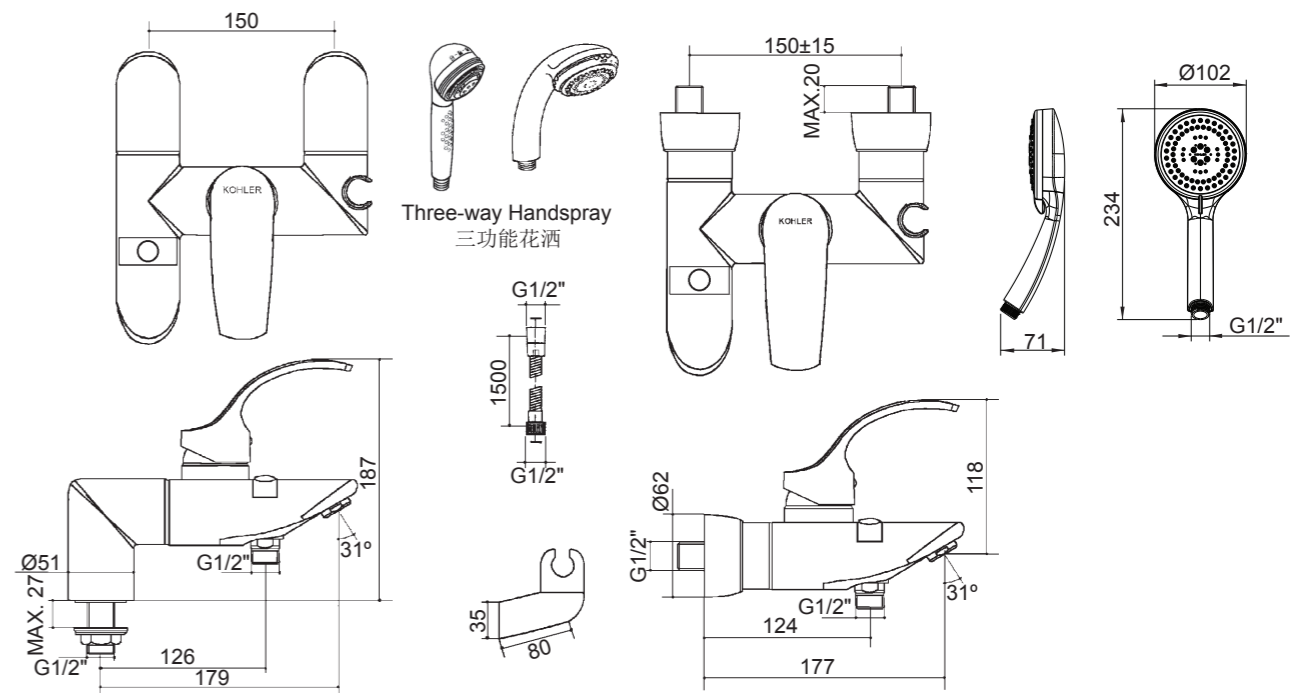
All information is based on the latest product information available at the time of publication. Kohler Co. reserves the right to make changes in product characteristics, packaging, or availability at any time without notice. Please leave these instructions for the consumer. They contain important information.

NOTES:

1. Flush the water supply pipes thoroughly to remove debris.
2. The minimum inlet water pressure for the diverter is 0.05MPa(0.5bar).
3. The highest working pressure for handspray is 0.5MPa(5bar). If it exceeds 0.5MPa(5bar), a pressure reducer is needed. The highest water and environment temperature is 60°C. Please keep handspray, showerhead and the shower arm away from heater, or it may become damaged and cause injury to the user.

安装尺寸

ROUGH-IN DIMENSIONS



9080T 72689T 缸边式浴缸花洒龙头

R9079T 9079T 72687T 挂墙式浴缸花洒龙头

使用说明

将手柄轻轻提起，向左转为热水，右转为冷水。该手柄具有：两档流量、两档热水、省水并且节能的特点。

HANDLE OPERATION

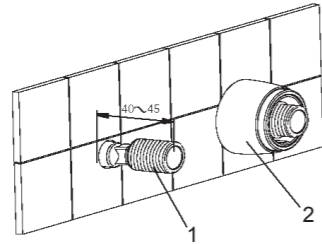
Lift the handle gently. Turn left for hot water, right for cold water. There are two stops in both flow and hot water control in order to conserve water and energy.

安装说明

安装 R9079T, 9079T & 72687T

在两个接头(1)涂上螺纹密封膏或缠绕密封胶带，然后旋入冷热供水管中。

调节两个接头使其中心距离为150mm并保持同一水平。它们凸出墙面的尺寸应该在40到45mm之间。将装饰罩(2)旋入接头，紧贴装修后的墙壁。



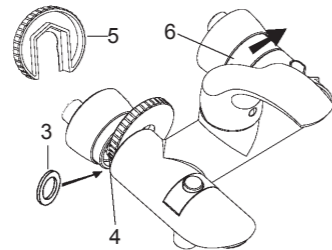
INSTALLATION

Install R9079T, 9079T & 72687T

Install the two offset connectors(1) into the hot and cold supply pipes. Use appropriate thread sealants or thread tape on pipe threads.

Adjust the center-to-center distance between the connectors to 150mm and level. They should extend 40 to 45mm from finished wall. Thread the escutcheons(2) onto the connectors until they contact the finished wall.

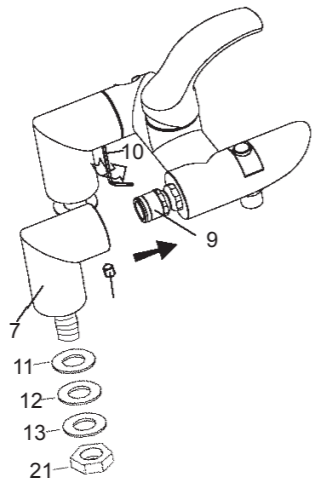
Put the washer(3) into the nut(4) and tighten the nut with the tool(5) supplied and a strap wrench. When both nuts are locked in place, turn and release retractable part(6) on escutcheons as shown in the figure. The part will be reseted.



将垫片(3)放入螺母(4)中，用辅助扳手(5)拧紧，然后用带状扳手锁紧。两个螺母都拧紧后，将装饰盖中可伸缩的部分(6)按图示方向旋转，然后释放，其将自动弹出。

安装 9080T & 72689T

将连接件(9)旋入本体的进水孔中并锁紧。再将缸边连接座(7)安装到连接件(9)上，调整好位置如图所示。用扳手(10)将固定螺钉(8)拧进缸边连接件的固定孔中并锁紧。将垫片(11)装入缸边连接座的沟槽中，然后将龙头缸边连接座的下部装入浴缸安装孔中，从下方将垫片(12)(13)、螺母(21)旋到缸边连接座的牙管上。拧紧螺母(21)。

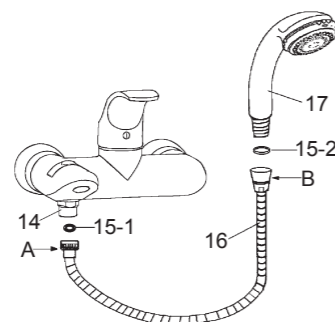


Install 9080T & 72689T

Thread the connector(9) into the inlet hole of the body and tighten. Then install the deck-mount connection(7) onto the connector(9) and adjust the position as shown. Put the fixing screw (8) into the hole of the connection and tighten with the wrench(10). Put the washer(11) into the groove of the deck-mount connection, and then install the connections into the hole of the bath tub. Thread the washer(12)(13), nut(21) onto the shank of the connection from the underside of the bath tub. Tighten the nut(21).

Put the washer(15-1, 3mm) into the end A of the hose(16), and then connect to the faucet outlet(14). Put the washer (15-2, 5mm) into the end B of the hose(16) and connect the hose to the hand spray(17).

将垫片(15-1，厚度3mm)装入到软管(16)的A端，然后与出水口(14)连接。将垫片(15-2，厚度5mm)装入软管的B端接到花洒(17)上。

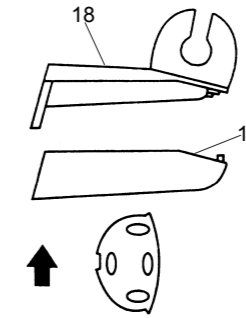


如何安装托架

在垂直面的墙壁，选一个合适的高度来安装托架。

把托架盖(19)与托架底板(18)撬开。

在墙壁标记上安装托架底板位置的记号。在墙上钻两个孔，以便于安装膨胀塞及螺钉。旋紧螺钉，使托架固定贴紧墙壁，用托架盖盖住底板。



How To Install The Bracket

Select a location on vertical wall within reach of the shower hose to install shower bracket.

Pry between the bracket cover(19) and base(18) to separate the two parts.

Mark bracket base mounting hole locations on wall as shown. Drill two holes in the finished wall as required for the installation anchors and screws. Tighten screws to secure bracket base to the finished wall. Replace bracket cover onto bracket base.

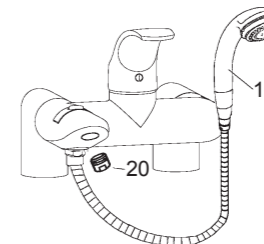
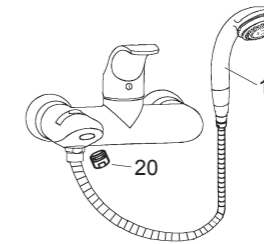
安装结果检查

检查并确保所有的衔接处都已拧紧。

确保手柄在“关”的位置。

打开排水系统和主要供水源，检查并修理有漏水的接口。

将起泡器(20)和花洒(17)拆下，然后打开水龙头的冷热水，让水流出约一分钟以清除杂质。检查渗漏，冲洗起泡器，关闭水龙头，重新装回起泡器和花洒。



Ensure that all coupling nuts are tight.

Ensure that the handle is in the off position.

Turn on the main water supply, and check for leaks. Repair as needed.

Remove the aerator(20) and handspray (17). Run hot and cold water through the faucet for about one minute to remove any debris. Check for leaks. Remove any debris from the aerator assembly. Shut the faucet off, and reinstall the aerator assembly and handspray.

清洗说明

适用于所有加工处理过的表面：以中性肥皂水清洗镀层表面，再以干净的软布彻底擦干整个表面，有许多清洁剂，比如氨水、去污粉及洁厕灵等，会对电镀表面造成伤害，切忌使用。

有磨损性的清洁用具或清洁剂也不可适用于科勒牌的水龙头及其配件上。

CLEANING INSTRUCTIONS

All Finishes: Clean the finish with mild soap and warm water. Wipe entire surface completely dry with clean soft cloth. Many cleaners may contain chemicals, such as ammonia, chlorine, toilet cleaner etc. which could adversely affect the finish and are not recommended for cleaning.

Do not use abrasive cleaners or solvents on Kohler faucets and fittings.