

15136T 浴缸出水口（旋接式）

安装之前

所有的资料是按最新出版的产品资料编写而成。科勒公司保留任何时候不经通知即可改变产品特性、包装或产品可供类型的权利。

说明书包括重要的安装、保养及清洁方面的内容，请把这些资料交给用户阅读。

注意事项：

1. 一定要先彻底冲洗供水管以清除管道中的杂质。
2. 切断供水管路。
3. 遵守所有当地管路安装及建筑条例。
4. 出水口进水螺纹为Rc1/2"。

BEFORE YOU BEGIN

All information is based on the latest product information available at the time of publication. Kohler Co. reserves the right to make changes in product characteristics, packaging, or availability at any time without notice.

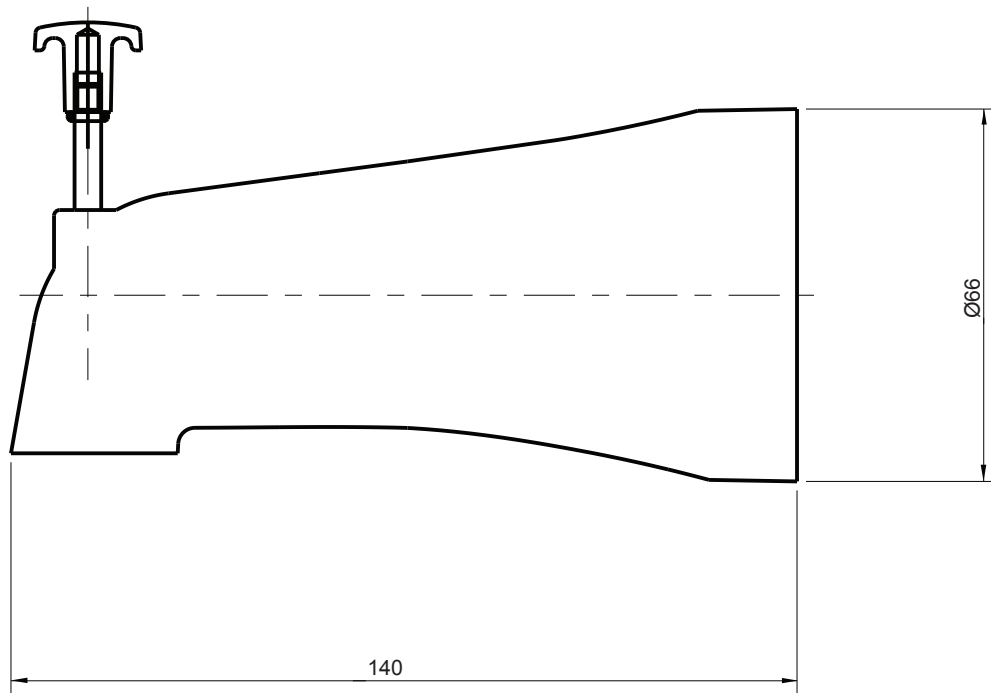
Please leave these instructions for the consumer. They contain important information.

NOTES:

1. Flush the water supply pipes thoroughly to remove debris.
2. Shut off the water supplies to the fitting.
3. Observe all local plumbing and building codes.
4. Inlet threads of spout is Rc1/2".

安装尺寸

ROUGH-IN DIMENSIONS

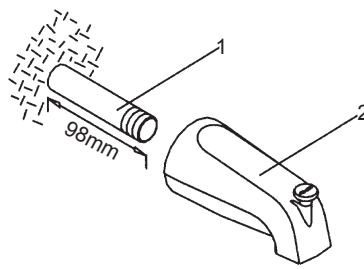


安装步骤

INSTALLATION

取下临时塞子或短管。

将R1/2"接管(1, 客户自备)装到浴缸供水管上。接管露出墙外的长度应为98mm。在出水口底部涂上一圈油灰或密封膏。安装浴缸出水口(2), 用带状扳手将龙头拧紧。



Remove the temporary nipple from the bath pipe.

Install a R1/2" taper thread nipple(1, not provided) to the bath pipe so it extends 98mm beyond the finished wall. Apply a ring of plumbers putty or sealant to the spout base, and install the spout(2). Tighten with a strap wrench.

安装结果检查

INSTALLATION CHECKOUT

检查并确保所有的衔接处都已拧紧。

Ensure that all connections are tight.

打开排水系统和主要供水源, 检查并修理有漏水的接口。

Open the drain. Turn on main water supply and check for leaks. Repair as required.

清洗说明

CLEANING INSTRUCTIONS

适用于所有加工处理过的表面: 以中性肥皂温水清洗镀层表面, 再以干净的软布彻底擦干整个表面。许多清洁剂, 比如氨水、去污粉及洁厕灵等, 会对电镀表面造成伤害而不宜使用。

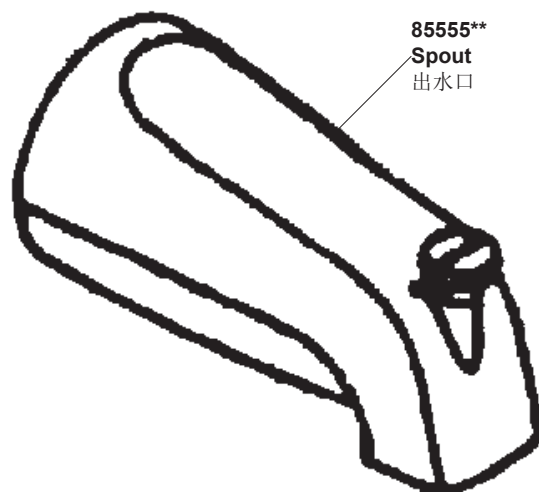
All Finishes: Clean the finish with mild soap and warm water. Wipe entire surface completely dry with clean soft cloth. Many cleaners may contain chemicals, such as ammonia, chlorine, toilet cleaner etc. which could adversely affect the finish and are not recommended for cleaning.

有腐蚀性的清洁剂或溶剂也不可适用于科勒牌的水龙头及其附件上。

Do not use abrasive cleaners or solvents on Kohler faucets and fittings.

零件图

SERVICE PARTS



**订购时请说明颜色编号

**Color code must be specified when ordering