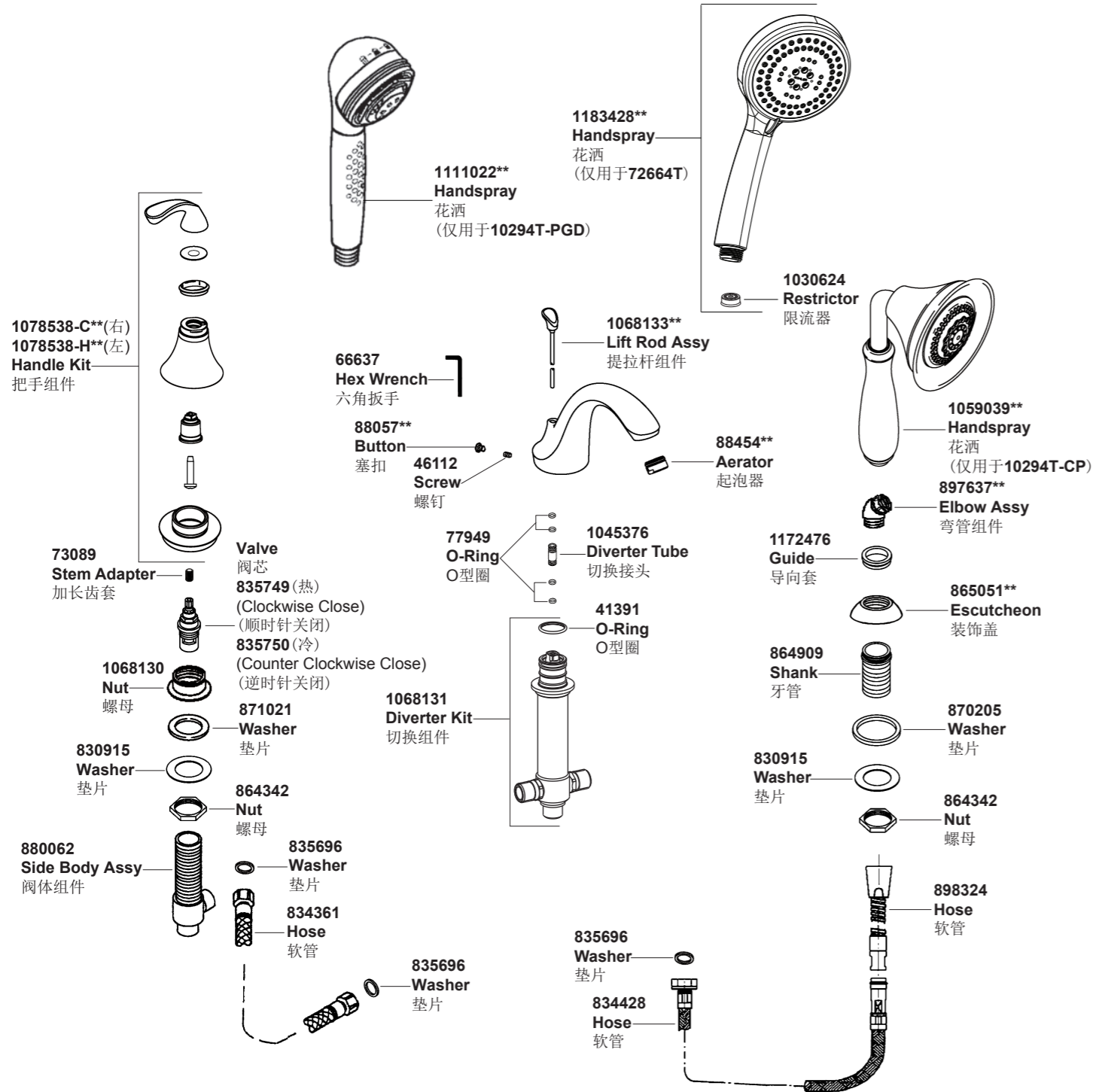


10294T-4 72664T-4 缸边(台面)式浴缸花洒龙头



**订购时请说明颜色编号
**Color code must be specified when ordering

10294T-4 72664T-4 缸边(台面)式浴缸花洒龙头

安装之前

所有的资料是按最新出版的产品资料编写而成。科勒公司保留任何时候不经通知即可改变产品特性、包装或产品可供类型的权利。

说明书包括重要的安装、保养及清洁方面的内容，请把这些资料交给用户阅读。

注意事项：

1. 一定要先彻底冲洗供水管以清除管道中的杂质。
2. 检查供水管有无损坏和漏水。如需要，进行替换和维修。
3. 遵守当地管路安装条例。
4. 尽可能在安装脸盆之前安装水龙头。
5. 花洒最高工作压力：0.5MPa(5bar)。水压超过0.5MPa(5bar)须安装减压阀。花洒最高工作温度及环境温度：60°C。请特别注意花洒同花洒连接的臂管须远离浴霸，否则可能损坏花洒及其密封件，甚至对使用者造成伤害。

BEFORE YOU BEGIN

All information is based on the latest product information available at the time of publication. Kohler Co. reserves the right to make changes in product characteristics, packaging, or availability at any time without notice.

Please leave these instructions for the consumer. They contain important information.

NOTES:

1. Flush the water supply pipes thoroughly to remove debris.
2. Inspect the supply tubing for damage and leakage. Replace and maintain as necessary.
3. Observe local plumbing codes.
4. If possible, install this faucet before installing the lavatory.
5. The highest working pressure for handspray & shower head is 0.5MPa(5bar). If it exceeds 0.5MPa(5bar), a pressure reducer is needed. The highest water and environment temperature is 60°C. Please keep handspray, shower head and the shower arm away from heater, or it may become damaged and cause injury to the user.

使用说明

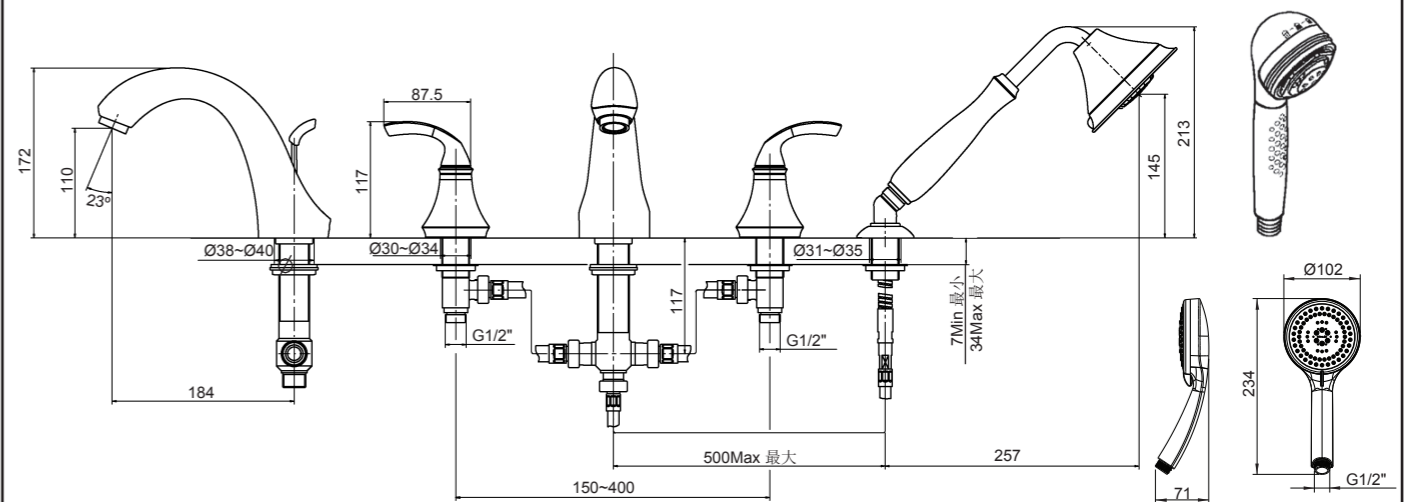
逆时针旋转左把手为开，顺时针旋转右把手为开。

HANDLE OPERATION

Left handle opens with one-quarter turn counter-clockwise. Right handle opens with one-quarter turn clockwise.

安装尺寸

ROUGH-IN DIMENSIONS

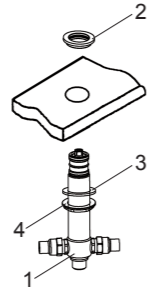


安装步骤

INSTALLATION

如何安装切换器组件

从切换器组件(1)上取下螺母(2)，保留垫片(3)和螺母(4)。将切换器组件从台面或浴缸下方插入安装孔。将螺母(2)拧紧到切换器组件上(平面朝上)。调整切换器组件使软管接头处便于安装软管。用扳手锁紧螺母(4)。

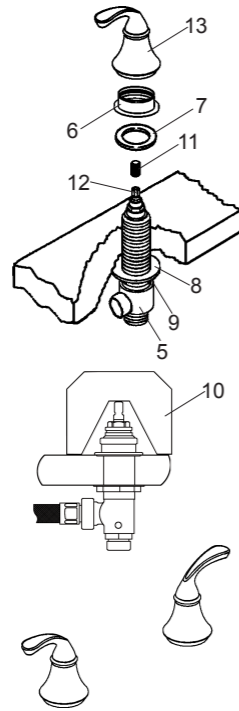


How To Install The Diverter Kit

Remove the nut(2) from the diverter kit, remaining washer(3) and nut(4). Insert the diverter kit through mounting hole of the deck or bath tub rim. Thread nut(2) with flange side up onto the diverter kit. Adjust the diverter kit to make sure it is convenient for installing hoses. Wrench tighten nut(4).

如何安装阀体和把手

从阀体组件(5)上面拆下螺母(6)和垫片(7)，保留垫片(8)和螺母(9)。将阀体组件从台面或浴缸下方插入安装孔(注意：贴有红圆的阀体组件装在左侧)。将垫片(7)嵌入螺母(6)底面的凹槽中，并安装到阀体组件上。



How To Install The Valve Bodies And Handles

Remove the nut(6) and washer(7) from the valve body, remaining washer(8) and nut(9). Insert the valve body through mounting hole from underside of the deck or bath tub rim (Note: The valve body with red dot should be installed on the left side). Put the washer(7) into the groove on the bottom of the nut(6) and install them onto the valve body.

用调节纸板(10)来调整阀体露在台面或浴缸边缘上方的高度，如图所示。

Adjust the side body's height above the deck or bath tub rim according to the adjustable cardboard(10).

用扳手拧紧螺母(9)。

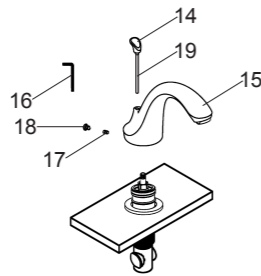
Wrench tighten nut(9).

安装齿套(11)到阀轴(12)上，将把手组件(13)拧到阀体组件上(注意：带有红色垫片的把手组件装在左侧)。调整阀体，阀处于关闭位置，把手的状态如图所示。

Install the stem extension(11) onto the valve stem(12), thread the handle kit(13) onto the valve body (Note: The handle kit with red washer should be installed on the left side of the body). Adjust the valve body. The illustration shown is the correct position of the handles in the valve closed position.

如何安装出水口

将出水口组件(15)摀到切换组件上，调整出水口的位置。用六角扳手(16)锁紧出水口背部螺钉(17)，然后将塞子(18)塞入螺钉孔。将切换拉杆(19)从提拉孔插入并拧紧。切换头(14)的方向如图所示。

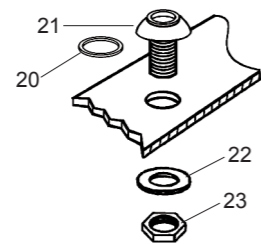


How To Install The Spout

Push the spout kit(15) onto the diverter kit. Tighten the screw(17) by hex wrench(16) provided, then insert the plug button(18) into the rear hole. Insert the diverter lift rod(19) into the hole of the spout and screw it by hand. The illustration shown is the correct position of the diverter knob(14).

如何安装花洒及连接软管

拆下螺母(23)和垫片(22)。将橡胶垫片(20)置于装饰盖组件(21)的凹槽内。将牙管装入安装孔，从下方将垫片和螺母安装到装饰盖上。然后拧紧螺母。

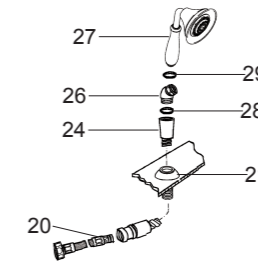


How To Install The Handspray And Hoses

Remove the nut(23) and washer(22). Put the rubber washer(20) into the groove of the escutcheon(21). Insert the shank through the mounting hole. From underside, install washer and nut to the escutcheon. Then tighten the nut(23) firmly.

将软管(24)穿过装饰盖(21)连接到软管(25)上。

将垫片(29)放入弯头组件(26)，把弯头组件旋接到花洒(27)上。把垫片(28, 5mm)放入软管接头并旋紧到弯头组件上。



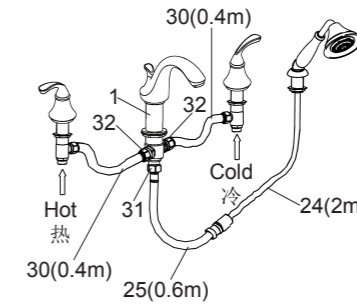
Slide the hose(24) through the escutcheon(21), and attach to the hose(25).

Put the washer(29) into the elbow assembly(26). Thread the elbow assembly to the handspray(27). Put the washer(28, thickness 5mm) into the connector of the hose and thread them to the elbow assembly.

在软管(25)的连接螺母内放入垫片，并将其锁紧到切换组件(1)的花洒接口(31)上。在软管(30)的两端连接螺母内分别放入垫片，连接到阀体组件和切换组件的进水接口(32)。锁紧所有的连接螺母。

为保证水流顺畅，花洒抽取自如，应避免软管打结、缠绕。

注意：软管只能用于指定部位。



Put the fiber washer into connecting nut of the hose(25), then thread the nut to the shower end(31) of diverter(1). Put the fiber washer into each connecting nut of hose(30), then connect the valve body and inlet end(32) of the diverter. Tighten all the connecting nuts.

To ensure the water flow smoothly and the handspray can be drawn out easily, the hose should avoid kinking, twisting.

NOTE: The hoses should only be used where indicated.

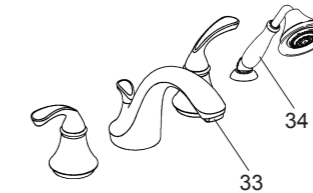
安装结果检查

检查并确保所有衔接处都已拧紧。

确保手柄在关的位置。

打开主要供水源和排水系统，检查并修理有漏水的接口。

将起泡器(33)及花洒(34)拆下，打开水龙头的冷热水，让水流约一分钟以清除杂质，检查渗漏。冲洗起泡器，关闭水龙头，重新装回起泡器及花洒。



INSTALLATION CHECKOUT

Ensure that all coupling nuts are tight.

Ensure that the lever handle is in the off position.

Turn on the main water supply and drain, and check for leaks. Repair as needed.

Remove the aerator(33) and handspray (34). Run hot and cold water through faucet for about one minute to remove any debris. Check for leaks. Repair as needed. Remove any debris from the aerator. Shut off the faucet. Reinstall the aerator and handspray.

清洗说明

适用于所有加工处理过的表面：以中性肥皂水清洗镀层表面，再以干净的软布彻底擦干整个表面，许多清洁剂，比如氨水、去污粉及洁厕灵等，会对电镀表面造成伤害，切忌使用。

有磨损性的清洁用具或清洁剂也不可适用于科勒牌的水龙头及其配件上。

CLEANING INSTRUCTIONS

All Finishes: Clean the finish with mild soap and warm water. Wipe entire surface completely dry with clean soft cloth. Many cleaners may contain chemicals, such as ammonia, chlorine, toilet cleaner etc. which could adversely affect the finish and are not recommended for cleaning.

Do not use abrasive cleaners or solvents on Kohler faucets and fittings.