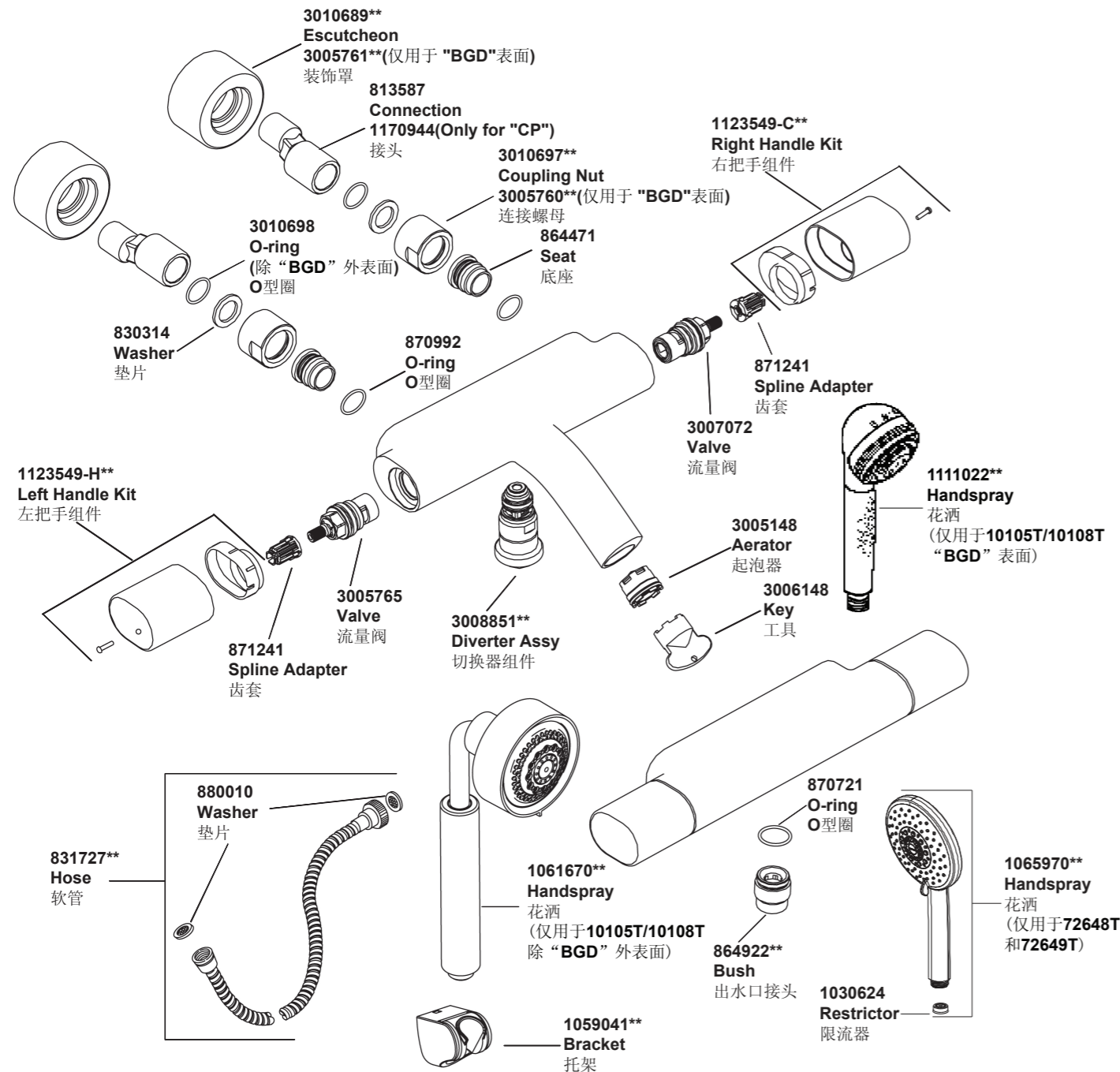


10105T-9 72649T-9 挂墙式浴缸花洒龙头
10108T-9 72648T-9 挂墙式花洒龙头



**订购时请说明颜色编号

**Color code must be specified when ordering

10105T-9 72649T-9 挂墙式浴缸花洒龙头
10108T-9 72648T-9 挂墙式花洒龙头

安装之前

所有的资料是按最新出版的产品资料编写而成。科勒公司保留任何时候不经通知即可改变产品特性、包装或产品可供类型的权利。

说明书包括重要的安装、保养及清洁方面的内容，请把这些资料交给用户阅读。

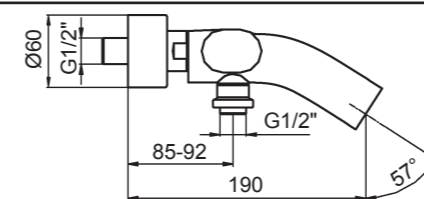
注意事项：

1. 一定要先彻底冲洗供水管以清除管道中的杂质。
2. 切换器正常工作的最小压力为0.05MPa(0.5bar)。
3. 花洒最高工作压力：0.5MPa(5bar)。水压超过0.5MPa(5bar)须安装减压阀。花洒最高工作温度及环境温度：60°C。请特别注意花洒同花洒连接的臂管须远离加热器，否则可能损坏花洒及其密封件，甚至对使用者造成伤害。

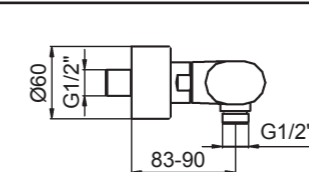
使用说明

逆时针旋转左把手为关，顺时针旋转右把手为关。

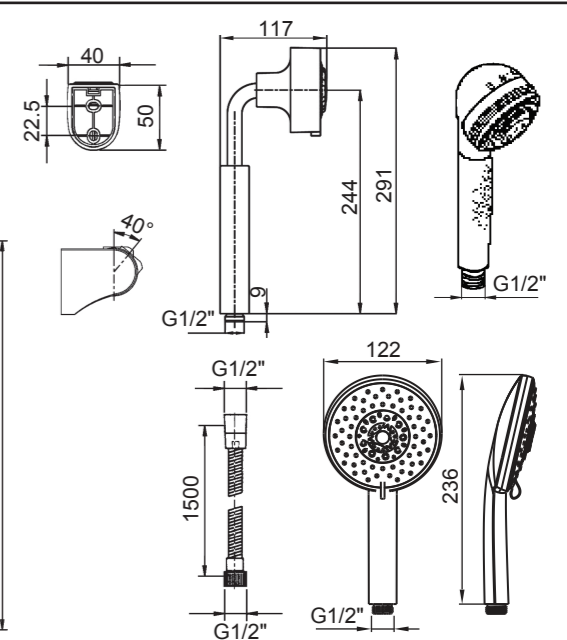
安装尺寸



10105T-9 72649T-9



10108T-9 72648T-9



BEFORE YOU BEGIN

All information is based on the latest product information available at the time of publication. Kohler Co. reserves the right to make changes in product characteristics, packaging, or availability at any time without notice.

Please leave these instructions for the consumer. They contain important information.

NOTES:

1. Flush the water supply pipes thoroughly to remove debris.
2. The minimum inlet water pressure for the diverter is 0.05MPa(0.5bar).
3. The highest working pressure for handspray is 0.5MPa(5 bar). If it exceeds 0.5MPa(5 bar), a pressure reducer is needed. The highest water and environment temperature is 60°C. Please keep handspray and shower arm away from heater, or it may become damaged and cause injury to the user.

HANDLE OPERATION

Left handle closes with turning anticlockwise, right handle closes with turning clockwise.

ROUGH-IN DIMENSIONS

安装步骤

如何安装水龙头

为使安装顺利，G1/2"内螺纹管道配件应已安装好。预留150mm的间距，保持水平，并垂直墙面，不要凸出墙面。热供水管装在左边。

在两个接头(1)涂上螺纹密封胶或缠绕足以密封的密封胶带，旋入冷热供水管中。

调节两个接头，使其中心距离为150mm并保持同一水平。他们凸出墙面的尺寸应该在40到47mm之间。将装饰罩(2)旋入接头，紧贴墙壁。

将垫片(3)放入水龙头螺母(4)中，将螺母旋到接头上，并用辅助扳手(5)拧紧。

根据需要安装花洒(7)限流器(见限流器安装说明)。将垫片(6-1，厚3mm)安装在软管(8)与出水口(9)之间。垫片(6-2，厚5mm)安装在软管(8)与花洒之间。

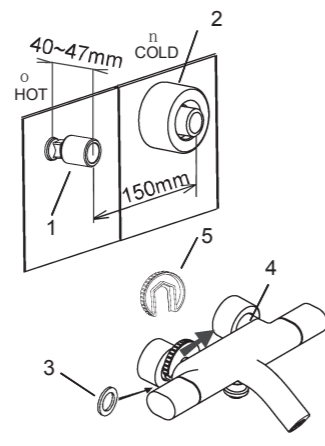


Fig. 1

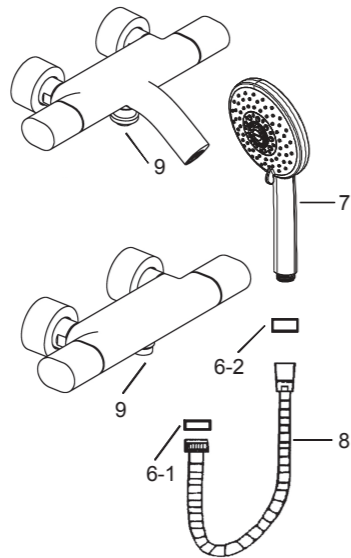


Fig. 2

INSTALLATION

How To Install The Faucet

To perform installation, installer must provide G1/2" female supply fittings, spaced 150mm apart, level, vertical, and not extending beyond finished wall surface. Hot supply pipe must be located on the left.

Install the two offset connector(1) into the hot and cold supply fittings. Use appropriate thread sealants or thread tape onto the threads.

Adjust the center-to-center distance between the connectors to 150mm and level. They should extend 40 to 47 mm beyond the finished wall. Thread the escutcheons(2) onto the connectors until they are against the finished wall.

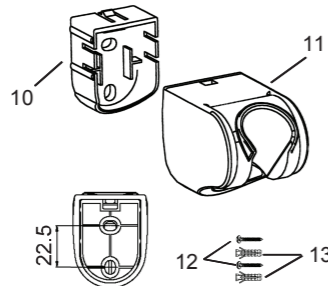
Put the washers(3) into the nuts(4) and tighten the nuts with the tool(5).

Install the regulator of handspray(7) as required(shown in regulator installation instruction). Put the washer(6-1, thickness 3mm) between hose(8) and shower outlet(9). Provide the washer(6-2, thickness 5mm) between hose(8) and handspray.

如何安装托架

在墙面选一合适的位置来安装托架。

根据孔距在墙面标记位置，依据涨塞(13)直径打孔，安装涨塞。旋紧螺钉(12)，使底座(10，平面朝上)固定紧贴墙壁。将托架(11)扣在底座上，使凸台嵌入豁口。把花洒挂在托架上。



How To Install The Bracket

Determine a suitable location on the finished wall to install the bracket.

Mark bracket base mounting hole locations on the wall according to the dimension. Drill two holes on the finished wall, the holes should match the anchors(13). Install the anchors. Tighten screw(12) to secure bracket base(10). Put the bracket(11) onto the bracket base and lock by stopper. Hang the hand spray on the shower bracket.

安装结果检查

检查并确保所有的衔接处都已拧紧。

确保手柄在“关”的位置。

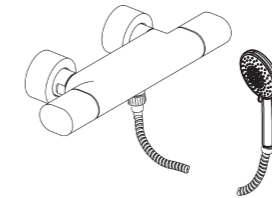
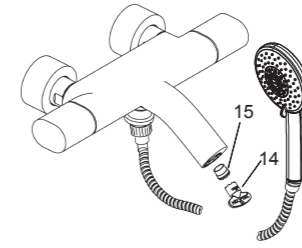
打开排水系统和主要供水源，检查并修理有漏水的接口。

浴缸花洒龙头:

取下花洒并用附带的工具(14)取下起泡器组件(15)。打开冷热水，让水流出约一分钟以清除杂质。检查渗漏。清洗起泡器。关闭水龙头，并装回起泡器组件和花洒。

花洒龙头:

取下花洒。打开冷热水，让水流出约一分钟以清除杂质。检查渗漏。关闭水龙头，并装回花洒。



INSTALLATION CHECKOUT

Ensure that all coupling nuts are tight.

Ensure that the handles are in the off position.

Turn on the main water supply, and check for leaks. Repair as needed.

Bath & Shower Faucet

Remove the handspray. Remove the aerator(15) by key(14). Run hot and cold water through faucet for about one minute to remove any debris. Check for leaks. Remove any debris from the aerator. Shut the faucet off. and reinstall the aerator and handspray.

Shower Faucet

Remove the handspray. Run hot and cold water through faucet for about one minute to remove any debris. Check for leaks. Remove any debris from the aerator. Shut off the faucet. and reinstall the handspray.

清洗说明

适用于所有加工处理过的表面：以中性肥皂水清洗镀层表面，再以干净的软布彻底擦干整个表面，许多清洁剂，比如氨水、去污粉及洁厕灵等，会对电镀表面造成伤害，切忌使用。

有磨损性的清洁用具或清洁剂也不可适用于科勒牌的水龙头及其配件上。

CLEANING INSTRUCTIONS

All Finishes: Clean the finish with mild soap and warm water. Wipe entire surface completely dry with clean soft cloth. Many cleaners may contain chemicals, such as ammonia, chlorine, toilet cleaner etc, which could adversely affect the finish and are not recommended for cleaning.

Do not use abrasive cleaners or solvents on Kohler faucets and fittings.