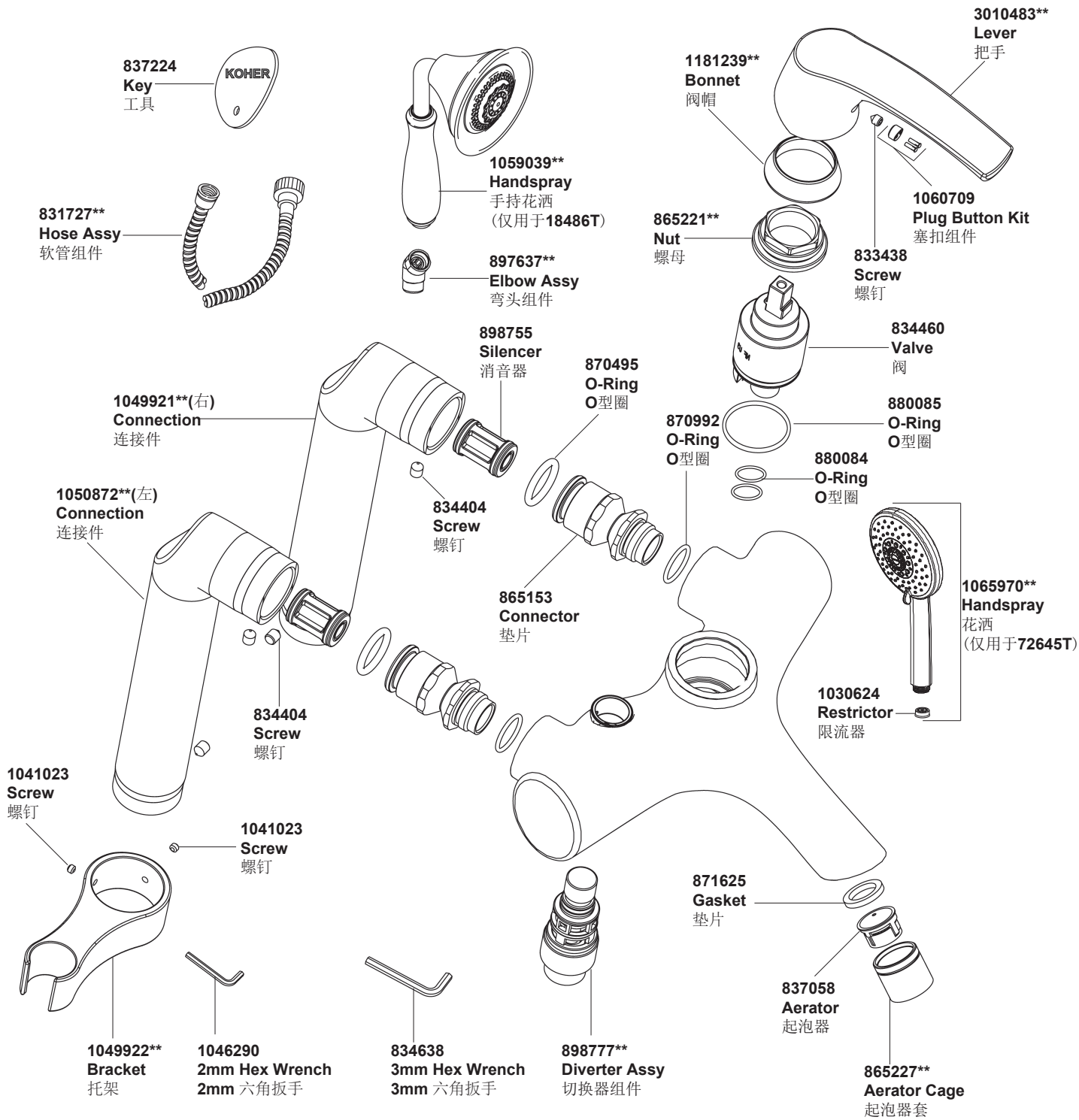


18486T-4 72645T-4 落地式浴缸花洒龙头



\*\*订购时请说明颜色编号  
\*\*Color code must be specified when ordering

18486T-4 72645T-4 落地式浴缸花洒龙头

**安装之前**

所有的资料是按最新出版的产品资料编写而成。科勒公司保留任何时候不经通知即可改变产品特性、包装或产品可供类型的权利。

说明书包括重要的安装、保养及清洁方面的内容，请把这些资料交给用户阅读。

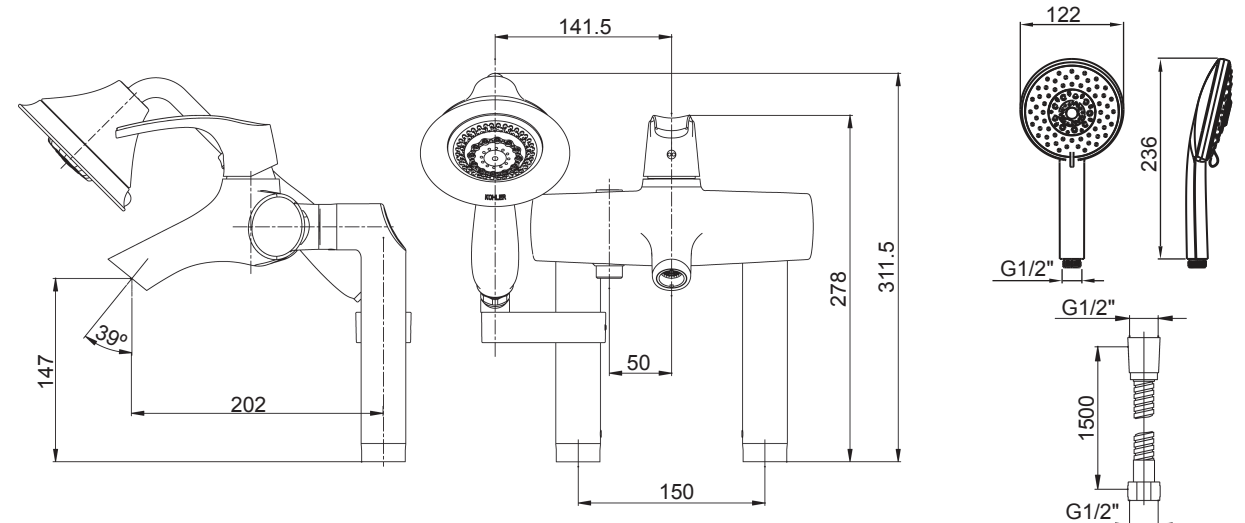
**注意事项：**

1. 一定要先彻底冲洗供水管以清除管道中的杂质。
2. 检查供水管有无损坏。如需要，进行替换。
3. 遵守当地管路安装条例。
4. 切换器正常工作的最小压力为0.05MPa(0.5bar)。
5. 与落地式支架18492T配合使用。
6. 花洒最高工作压力：0.5MPa(5bar)。水压超过0.5MPa(5bar)须安装减压阀。花洒最高工作温度及环境温度：60°C。请特别注意花洒同花洒连接的臂管须远离浴霸，否则可能损坏花洒及其密封件，甚至对使用者造成伤害。

**使用说明**

将手柄轻轻提起，向左转为热水，右转为冷水。

**安装尺寸**



**BEFORE YOU BEGIN**

All information is based on the latest product information available at the time of publication. Kohler Co. reserves the right to make changes in product characteristics, packaging, or availability at any time without notice.

Please leave these instructions for the consumer. They contain important information.

**NOTES:**

1. Flush the water supply pipes thoroughly to remove debris.
2. Inspect the supply tubing for damage. Replace as necessary.
3. Observe local plumbing codes.
4. The minimum inlet water pressure for the diverter is 0.05MPa(0.5bar).
5. Used with riser tubes 18492T.
6. The highest working pressure for handspray is 0.5MPa(5bar). If it exceeds 0.5MPa(5bar), a pressure reducer is needed. The highest water and environment temperature is 60°C. Please keep handspray, showerhead and the shower arm away from heater, or it may become damaged and cause injury to the user.

**HANDLE OPERATION**

Lift the handle gently. Turn left for hot water, right for cold water.

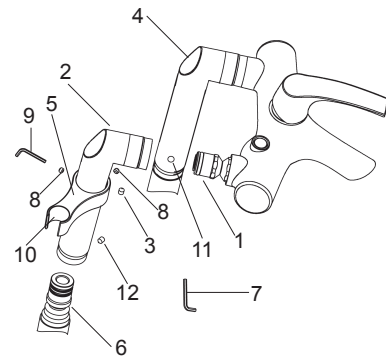
**ROUGH-IN DIMENSIONS**

## 安装说明

### 如何安装出水口

为使安装顺利，18492T落地支架(客户单购)应已安装在适当位置，两管中心距150mm，相互平行且垂直于地面，高度一致。

去掉连接件(1)的保护套。将落地连接件(2, 4)安装到连接件(1)上，保持螺孔(11)朝内，并相互平行，中心距150mm。用六角扳手(7, 3mm)适当旋紧固定螺钉(3)。

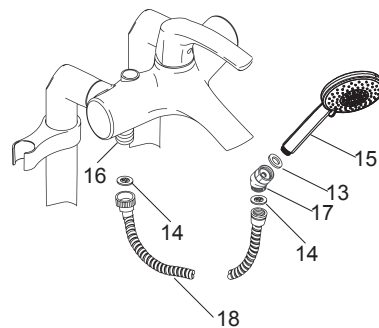


将托架(5)套入左侧落地连接件(2)。保持螺孔朝后，花洒固定孔(10，锥孔大端朝上)朝外，调整到适当的位置及高度。用六角扳手(9, 2mm)锁紧固定螺钉(8)。

去掉落地支架接头(6)保护套，将落地连接件(2, 4)套入落地支架接头(6)，调整好位置，用六角扳手(7, 3mm)同时锁紧固定螺钉(3, 12)。

### 如何安装花洒

用垫片(14, 厚3mm)和软管(18)连接花洒出水口(16)和弯头(17)。垫片(13, 厚5mm)安装在弯头(17)与花洒(15)间。



## INSTALLATION

### How To Install The Faucet

To perform installation, installer must install riser tubes 18492T(purchase separately) in proper position in advance, space 150mm apart, parallel to each other, perpendicular to the ground and keep same height.

Remove the guards from connectors(1). Keeping the screw holes(11) facing inside, parallel to one another and space 150mm apart, install the floor-mount connectors(2, 4) onto connectors(1). Thread fixing screws(3) with hex wrench(7, 3mm).

Slide bracket(5) onto floor-mount connector on the left. Keep screw hole facing backward and handspray holder(10, large side of taper facing up) outside. Adjust to proper position and height. Tighten fixing screws(8) with hex wrench(9, 2mm).

Remove the guards from riser tube connectors(6). Install floor-mount connectors(2, 4) onto riser tube connectors(6) and adjust the position. Tighten fixing screws(3, 12) with hex wrench(7, 3mm) at the same time.

### How To Install The Handspray

Connect shower outlet(16) and the elbow assembly(17) with washers (14, thickness 3mm) and hose(18). Put washer(13, thickness 5mm) between elbow assembly(17) and handspray(15).

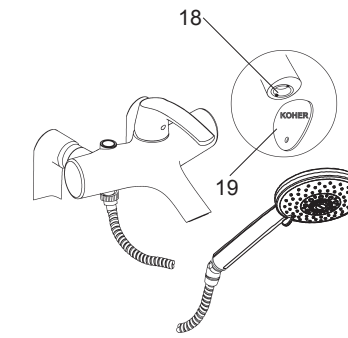
## 安装结果检查

确定所有衔接螺母都已锁紧。

确定手柄在关闭的位置如右图所示。

开启主水源，检查是否有漏水。如有漏水，修理之。

取下花洒，并用附带的工具(19)取下起泡器组件(18)。打开冷热水，让水流出约一分钟以清除杂质。检查渗漏。清洗起泡器。关闭水龙头，并装回起泡器组件和花洒。



## INSTALLATION CHECKOUT

Ensure that all connections are tight.

Ensure that the lever handle is in the off position as shown.

Turn on the main water supply, and check for leaks. Repair as needed.

Remove the handspray and aerator assembly(18) by key(19). Run hot and cold water through the faucet for about one minute to remove any debris. Check for leaks. Remove any debris from the aerator assembly. Shut the faucet off. Reinstall the aerator assembly and handspray.

## 清理说明

适用于所有加工处理过的表面：以中性肥皂水清洗镀层表面，再以干净的软布彻底擦干整个表面，许多清洁剂，比如氨水、去污粉及洁厕灵等，会对电镀表面造成伤害，切忌使用。

有磨损性的清洁用具或清洁剂也不可适用于科勒牌的水龙头及其配件上。

## CLEANING INSTRUCTIONS

All Finishes: Clean the finish with mild soap and warm water. Wipe entire surface completely dry with clean soft cloth. Many cleaners may contain chemicals, such as ammonia, chlorine, toilet cleaner etc. which could adversely affect the finish and are not recommended for cleaning.

Do not use abrasive cleaners or solvents on Kohler faucets and fittings.