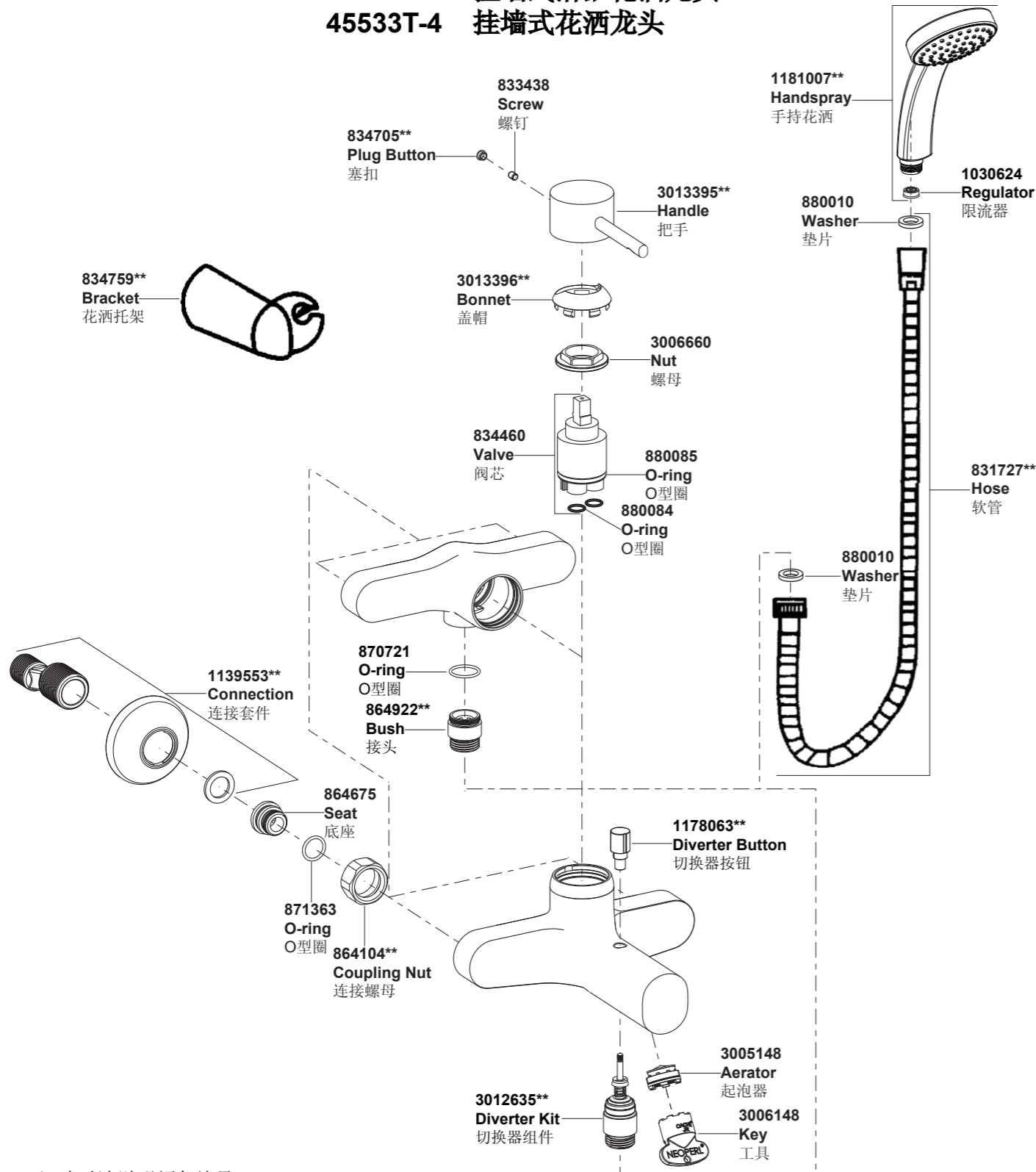


Wall-Mount Bath/Shower Faucet

45532T-4 挂墙式浴缸花洒龙头
45533T-4 挂墙式花洒龙头



**订购时请说明颜色编号

**Color code must be specified when ordering

Wall-Mount Bath/Shower Faucet

45532T-4 挂墙式浴缸花洒龙头
45533T-4 挂墙式花洒龙头

安装之前

所有的资料是按最新出版的产品资料编写而成。科勒公司保留任何时候不经通知即可改变产品特性、包装或产品可供类型的权利。

说明书包括重要的安装、保养及清洁方面的内容，请把这些资料交给用户阅读。

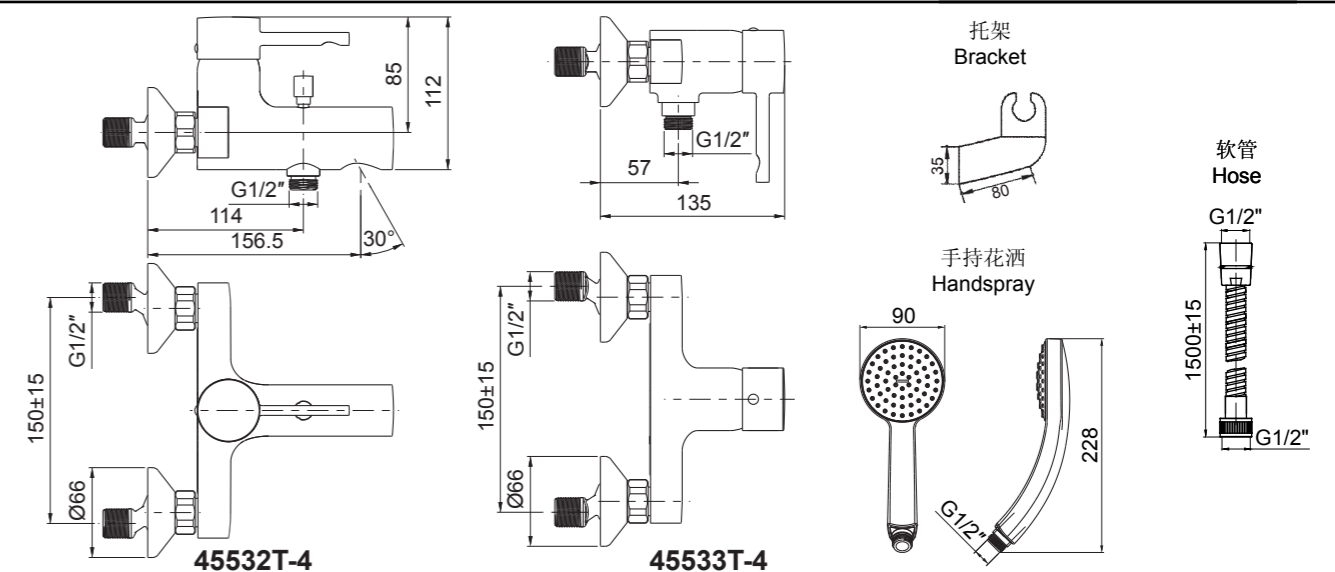
注意事项：

1. 一定要先彻底冲洗供水管以清除管道中的杂质。
2. 切换器正常工作的最小压力为0.05Mpa(0.5bar)。
3. 花洒最高工作压力：0.5Mpa(5bar)。水压超过0.5Mpa(5bar)须安装减压阀。花洒最高工作温度及环境温度：60°C。请特别注意花洒须远离加热器，否则可能损坏花洒，甚至对使用者造成伤害。

使用说明

将手柄轻轻提起，向左转为热水，右转为冷水，浴缸出水口出水；将切换器轻轻提起，顺时针旋转切换器，花洒出水；关闭龙头，逆时针旋转切换器到停止位置。

安装尺寸



BEFORE YOU BEGIN

All information is based on the latest product information available at the time of publication. Kohler Co. reserves the right to make changes in product characteristics, packaging, or availability at any time without notice. Please leave these instructions for the consumer. They contain important information.

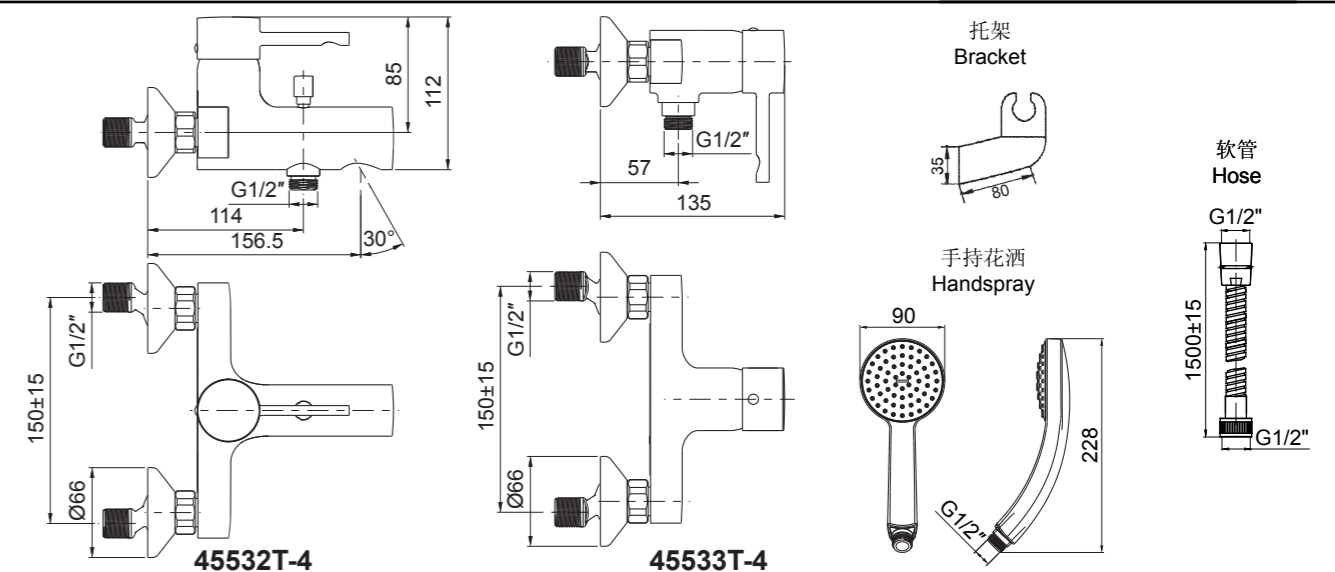
NOTES:

1. Flush the water supply pipes thoroughly to remove debris.
2. The minimum inlet water pressure for the diverter is 0.05Mpa(0.5bar).
3. The highest working pressure for handspray is 0.5Mpa(5 bars). If it exceeds 0.5Mpa(5 bars), a pressure reducer is needed. The highest water and environment temperature is 60°C. Please keep handspray away from heater, or maybe damage it and hurt user.

HANDLE OPERATION

Lift the handle gently, turn left for hot water, right for cold water, bath spout works; lift the diverter gently, turns clockwise for shower; shut off the faucet, turns counter-clockwise until it stops.

ROUGH-IN DIMENSIONS



安装步骤

如何安装水龙头

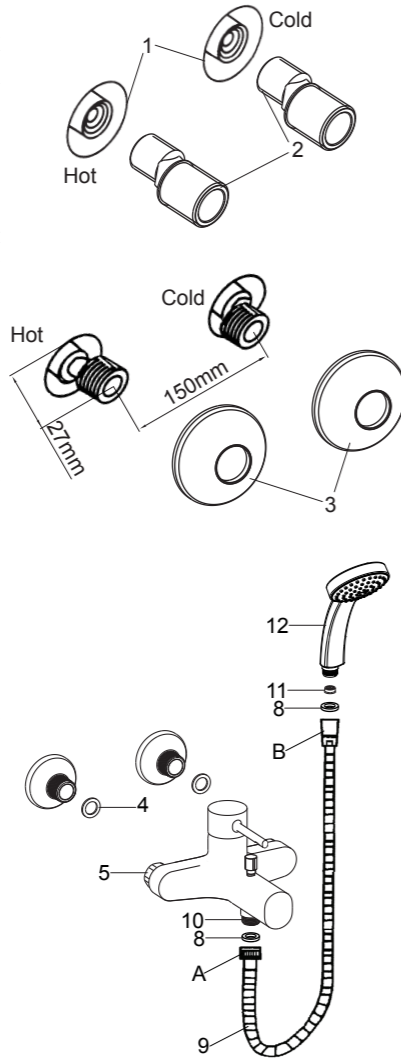
为使安装顺利，G1/2"内螺纹管道配件(1)应已安装好。预留150mm的间距，并保持水平。管道配件要垂直并不能凸出装修好的墙面。热供水管装在左边。

在两个接头(2)涂上螺纹密封胶或缠绕足以密封的密封胶带，旋入冷热水管中。

调节两个接头，使其中心距离为150mm并保持同一水平，凸出墙面27mm。将装饰盖(3)旋入接头，紧贴墙壁。

将垫片(4)放入水龙头螺母(5)中，将螺母旋入接头。用带状扳手或用软布垫在普通扳手和螺母之间，锁紧螺母。

将垫片(8)装入软管(9)的A端，与出水口(10)连接。将限流器(11)按图示方向塞入手持花洒(12)进水口，将垫片(8)装入软管的B端，与手持花洒连接。



INSTALLATION

How To Install The Faucet

To perform installation, installer must provide G1/2" female supply fittings(1), spaced 150mm apart and level. The supply fittings should be vertical and not beyond the finished wall. Hot supply pipe must be located on the left.

Install the two offset connectors(2) into the hot and cold supply pipes. Use appropriate thread sealants or thread tape on pipe threads.

Adjust the center-to-center distance between the connectors to 150mm and level. They should extend 27mm beyond the finished wall. Thread the escutcheons(3) onto the connectors until they are against the finished wall.

Put the washers(4) into the nuts(5), thread the nuts to connectors. Tighten the nuts with strap wrench or soft cloth between product and regular wrench.

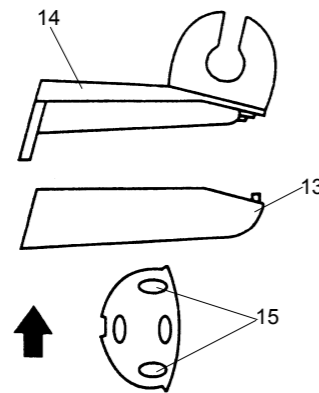
Put the washer(8) into the end A of the hose(9), and connect to the faucet outlet(10). Put the restrictor(11) into the handspray(12) inlet as shown. Put the washer(8) into the end B of the hose, and connect to the handspray.

如何安装托架

在垂直面的墙壁，选一个花洒能够着的位置来安装托架。

把托架盖子(13)与底板(14)撬开。在墙壁标记安装托架底板的位置。然后在墙上钻两个孔(15)，以便于安装螺钉及铰钉。旋紧螺钉，固定托架，并使其紧贴墙壁。

用托架盖子盖住底板。把花洒挂在托架上。



How To Install The Shower Bracket

Select a location in vertical wall within reach of the shower hose to install shower bracket.

Pry between the bracket cover(13) and base(14) to separate the two parts. Mark bracket base mounting hole locations on wall as shown. Drill two holes(15) in the finished wall as required, for the installation screws and anchors. Tighten screws to secure bracket base to the finished wall.

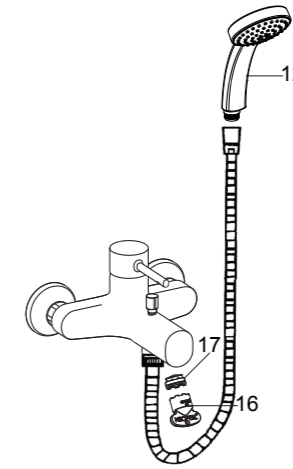
Replace bracket cover onto bracket base. Hang the handspray on the shower bracket.

安装结果检查

检查并确保所有的衔接处都已拧紧，确保把手在关的位置。

打开排水系统和主要供水源，检查并修理有漏水的接口。

拆下花洒(12)。用工具(16)拆下起泡器(17)。打开龙头的冷热水，让水流出约一分钟以清除杂质，检查渗漏，冲洗起泡器。关闭水龙头，重新装回花洒和起泡器。



清洗说明

适用于所有加工处理过的表面：以中性肥皂水清洗镀层表面，再以干净的软布彻底擦干整个表面，许多清洁剂，比如氨水、去污粉及洁厕灵等，会对电镀表面造成伤害，切忌使用。

有磨损性的清洁用具或清洁剂也不可适用于科勒牌的水龙头及其配件上。

INSTALLATION CHECKOUT

Ensure that all connections are tight. Ensure that the handle is in the off position.

Turn on the drain and main water supply, and check for leaks. Repair as needed.

Remove the handspray(12). Remove the aerator(17) with the key(16). Turn on the faucet. Run the hot and cold water through the faucet for about one minute to remove any debris. Check for leaks. Remove any debris from the aerator. Shut off the faucet. Reinstall the handspray and the aerator.

CLEANING INSTRUCTIONS

All Finishes: Clean the finish with mild soap and warm water. Wipe entire surface completely dry with clean soft cloth. Many cleaners may contain chemicals, such as ammonia, chlorine, toilet cleaner etc. which could adversely affect the finish and are not recommended for cleaning.

Do not use abrasive cleaners or solvents on Kohler faucets and fittings.