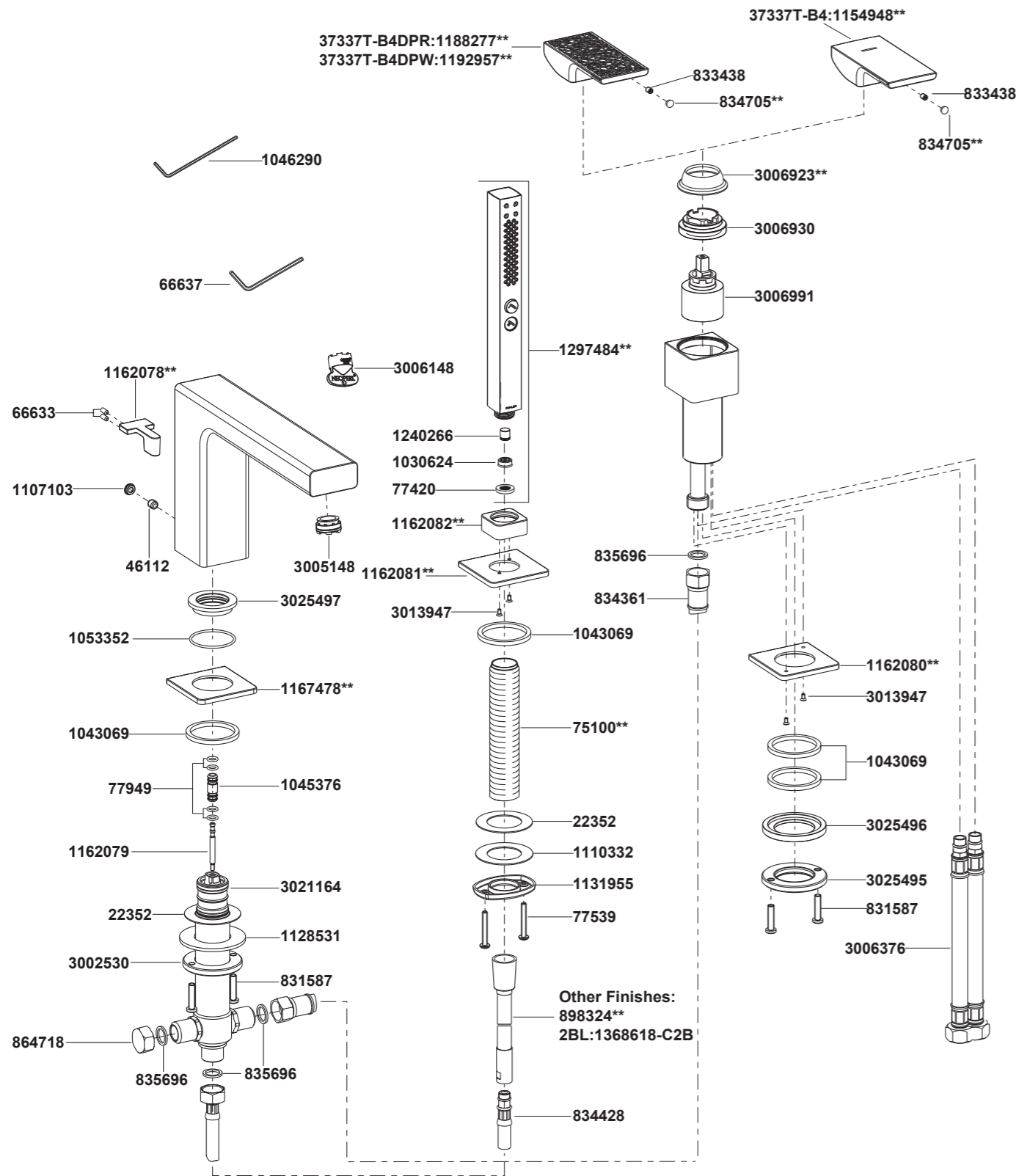


37337T-B4/B4DPR/B4DPW Deck-Mount Bath & Shower Faucet



**Color code must be specified when ordering.

NOTE: For all Asia pacific regions (excluding China) add SP (SPxxxxxx**) in front of the part number when ordering.

37337T-B4/B4DPR/B4DPW Deck-Mount Bath & Shower Faucet

BEFORE YOU BEGIN

All information is based on the latest product information available at the time of publication. Kohler Co. reserves the right to make changes in product characteristics, packaging, or availability at any time without notice. Please leave these instructions for the consumer. They contain important information.

NOTES:

1. Flush the water supply pipes thoroughly to remove debris.
2. Inspect the supply tubing for damage. Replace as necessary.
3. Observe local plumbing codes.
4. If possible, install this faucet before installing the bath.
5. The highest working pressure for handshower & showerhead is 0.5MPa(5bar). If it exceeds 0.5MPa(5bar), a pressure reducer is needed. The highest water and environment temperature is 60°C. Please keep handshower, showerhead and shower arm away from heater, or it may become damaged and cause injury to the user.

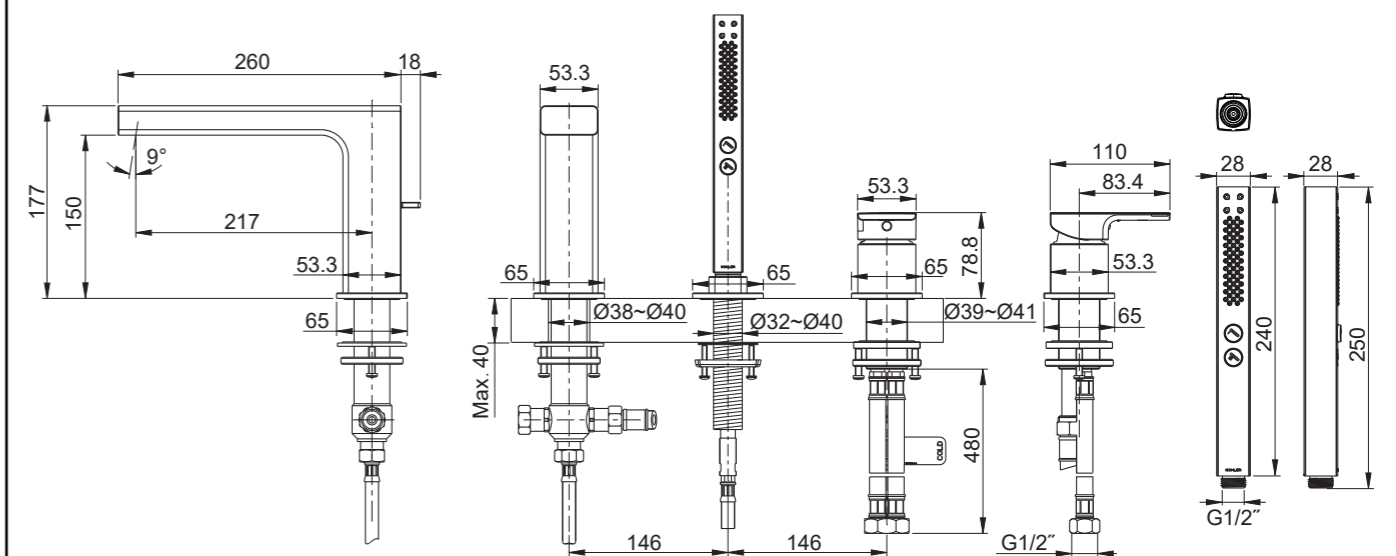
STANDARD APPLICABLE

Special model meets or exceeds the following at date of manufacture: TIS

HANDLE OPERATION

Lift the handle gently. Turn clockwise for hot water, counter-clockwise for cold water. Water flows out from spout when diverter is in the normal position and it's diverted to handshower when the diverter knob is lifted.

ROUGH-IN DIMENSIONS



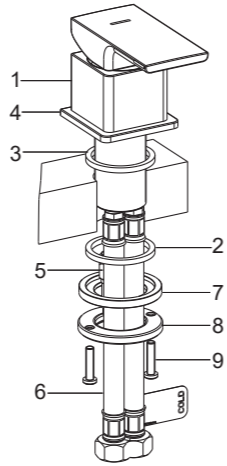
INSTALLATION

How to Install the Valve Kit

Put the rubber washer(3) into the groove on the bottom of the escutcheon(4). Fit the valve kit(1) to the hole of the bath tub.

From underside of the bath tub, install the parts according to the following order: washers(2), washer(7) and ring(8). Position the valve kit so that the connector(5) of the valve kit is on the back. Adjust the ring to the appropriate position. Tighten the screws(9) to secure the valve kit.

Attach the hoses(6) to water supplies. The hose with "COLD" mark connects to cold water.



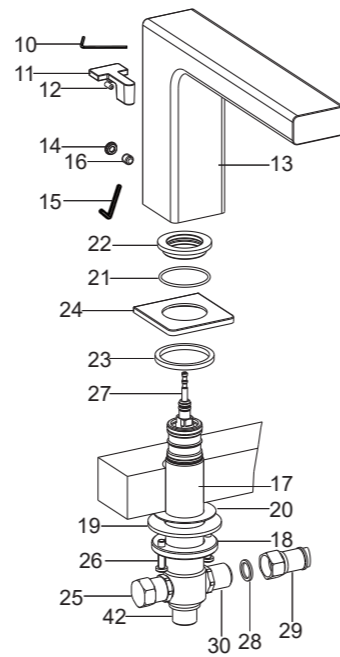
How to Install the Spout

Loosen the screws(12) of the lift rod knob kit(11) with the hex wrench(10), and remove the lift rod knob kit. Remove the plug(14) from the spout kit(13). Loosen the screw(16) with the hex wrench(15), and remove the diverter kit(17). Put the ring(18), washer(19) and washer(20) to the lower location of the diverter kit. Slide the o-ring(21) into the bottom groove of the nut(22). Put the washer(23) into the bottom groove of the escutcheon(24).

From underside of the bath tub, insert the diverter kit into the hole of bath tub and put out it as much as possible. Slide the escutcheon with the washer onto the diverter kit, and keep it against the bath tub. Tighten the nut(22) with o-ring onto the diverter kit. Position the diverter kit so that the nut(25) is on the left. Adjust the ring to the appropriate position. Tighten the screws(26) to secure the diverter kit.

Install the spout kit onto the diverter kit, position the spout kit so that the spout points to the front. Install the lift rod knob kit onto the lift rod(27), and tighten the screws(12) with the hex wrench(10). Tighten the screw(16) with the hex wrench(15), and install the plug.

Install the washer(28) into the connector of hose(29), then connect the connector(5) of valve kit and connector(30) of diverter kit with the hose.

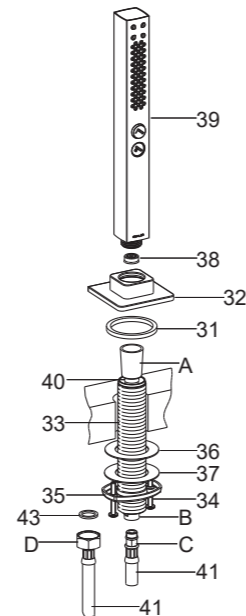


How to Install the Handshower

Put the washer(31) into the bottom groove of the escutcheon(32). Tighten the escutcheon with washer on the shank(33), and then insert the shank into the mounting hole.

Pre-install the screws(34) into the screw holes of the threaded ring(35). From underside, install the fiber washer(36), steel washer(37) and threaded ring to the shank. Position the escutcheon so that two arc edges are symmetrical up and down. Tighten the screws.

Install regulator(38) into the handshower(39) if needed. Connect the connector(A) of the hose(40) to the handshower, connect the other connector(B) of the hose(40) to the connector(C) of the hose(41). Install the washer(43) into the connector(D) of the hose(41), then connect to the connector(42) of the diverter kit.



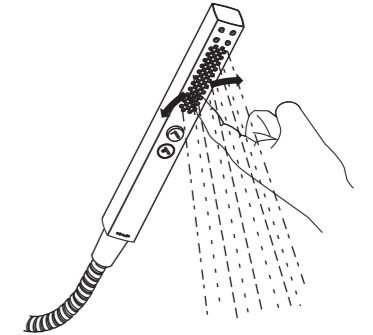
How to Operate the Handshower

Press the buttons of the handshower to change the water flow.

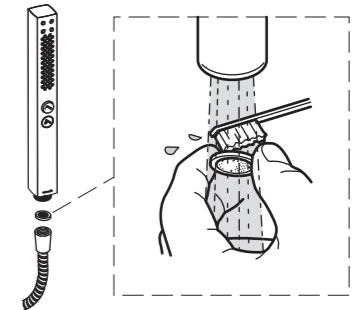


How to Maintain the Handshower

Any debris or mineral build-up may cause the flow stream to become distorted or reduce the flow rate. To remove the debris or mineral build-up, run water through the handshower, firmly press or rub your finger back and forth across the rubber nozzles.



Remove and clean the screen washer.

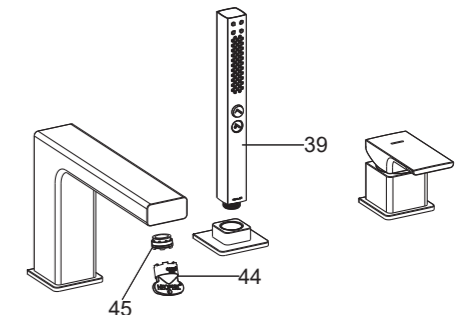


INSTALLATION CHECKOUT

Ensure that all coupling nuts are tight. Ensure that the handle is in the off position.

Turn on the drain and main water supply, and check for leaks. Repair as needed.

Remove the aerator(45) with the key(44). Remove the handshower(39). Turn on faucet handle. Run hot and cold water through spout about one minute to remove any debris. Check for leaks at this time. Remove any debris. Shut off the faucet. Reinstall the aerator and the handshower.



CLEANING INSTRUCTIONS

All Finishes: Clean the finish with mild soap and warm water. Wipe entire surface completely dry with clean soft cloth. Many cleaners may contain chemicals, such as ammonia, chlorine, toilet cleaner etc. which could adversely affect the finish and are not recommended for cleaning.

Do not use abrasive cleaners or solvents on Kohler faucets and fittings.