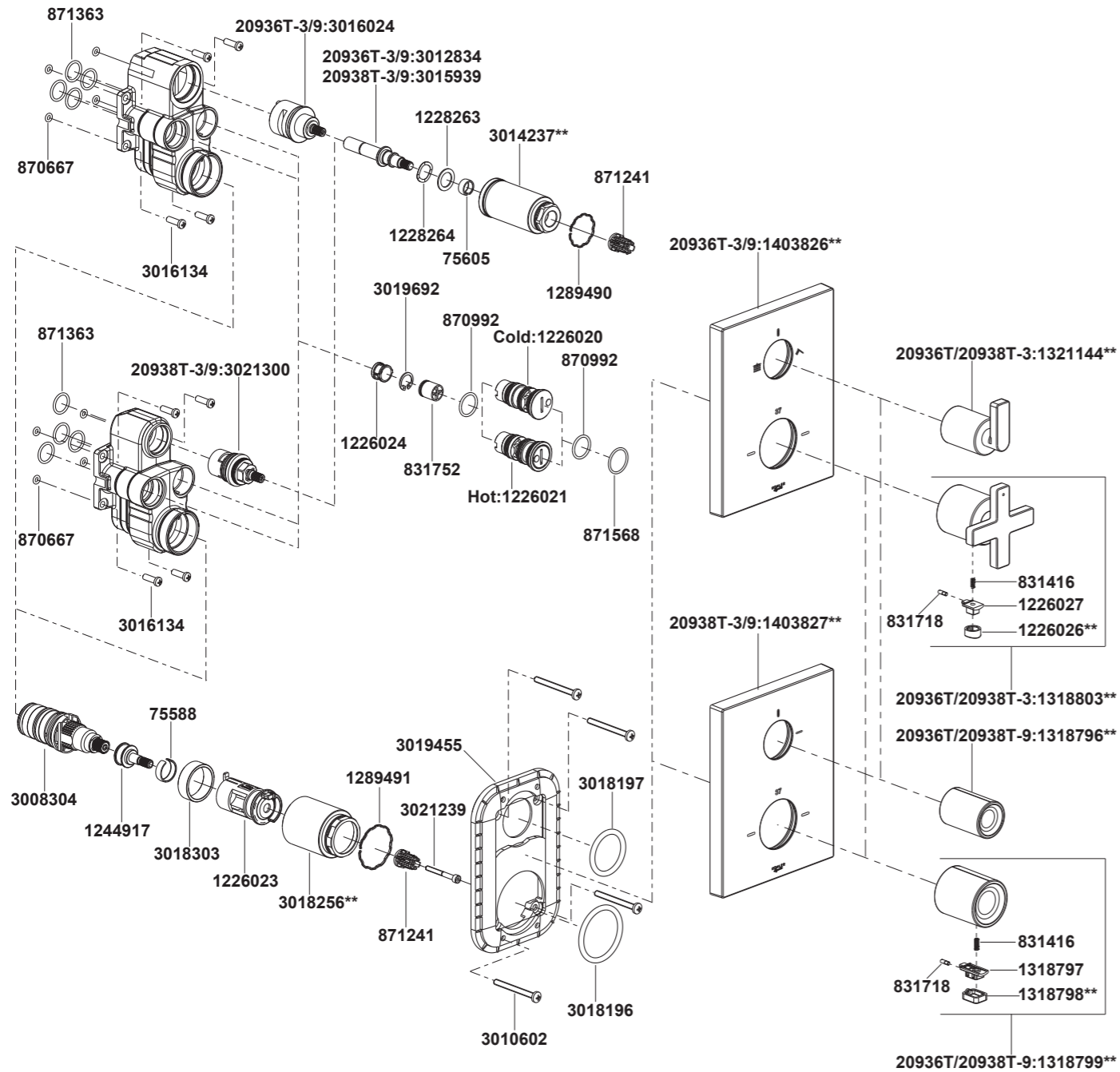


20936T-3 20936T-9 Recessed Thermostatic Bath Shower Trim & Valve  
 20938T-3 20938T-9 Recessed Thermostatic Shower Only Trim & Valve



\*\*Color code must be specified when ordering.

20936T-3 20936T-9 Recessed Thermostatic Bath Shower Trim & Valve  
 20938T-3 20938T-9 Recessed Thermostatic Shower Only Trim & Valve

### BEFORE YOU BEGIN

All information is based on the latest product information available at the time of publication. Kohler Co. reserves the right to make changes in product characteristics, packaging, or availability at any time without notice.

Please leave these instructions for the consumer. They contain important information.

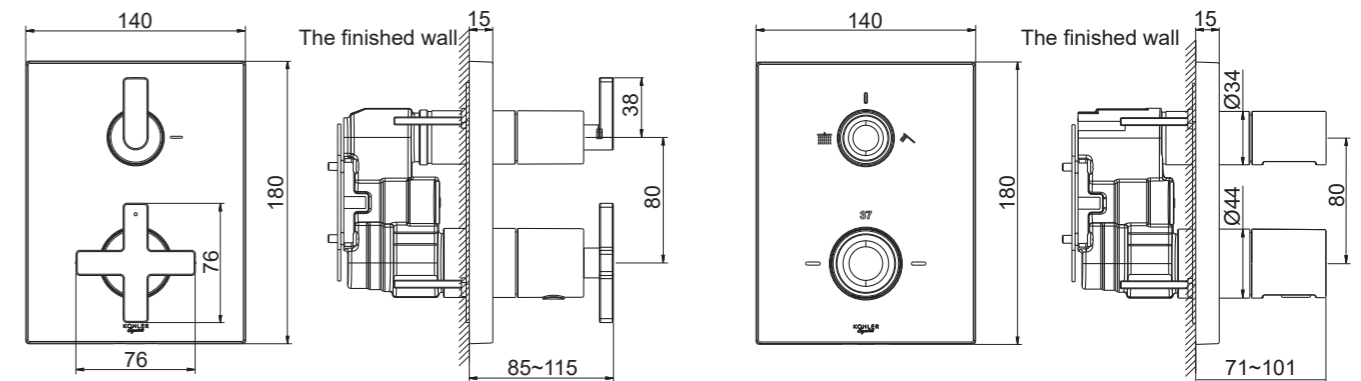
### NOTES:

1. Flush the water supply pipes thoroughly to remove debris.
2. Inspect the supply tubing for damage and leakage. Replace and maintain as necessary.
3. Observe local plumbing codes. Shut off the main water supply.
4. Check for leaks before covering the pipes, repair as needed.
5. Please ensure only apply water pressure test on the product, and empty the air in pipe and faucet thoroughly before the test. Please ensure test pressure below 0.8MPa(8bar) and test duration within 30 minutes.

### OPERATION CONDITION

1. Minimum supply pressures: 0.5bar.
2. Recommended supply pressures: 3bar on hot and cold water.
3. If supply pressure higher than 5bar: install a pressure reducer.
4. Pressure difference between hot and cold supply: 2bar maximum.
5. Hot supply water temperatures, minimum: 50°C, maximum: 70°C.
6. Recommended hot supply water temperature: 60°C (energy-saving).
7. Setting range, approximately: 20°C to 49°C.
8. Safety stop at: 37°C.

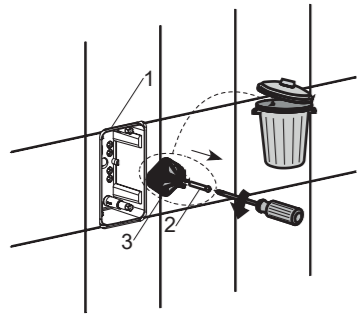
### ROUGH-IN DIMENSIONS



20936T-3 & 20938T-3

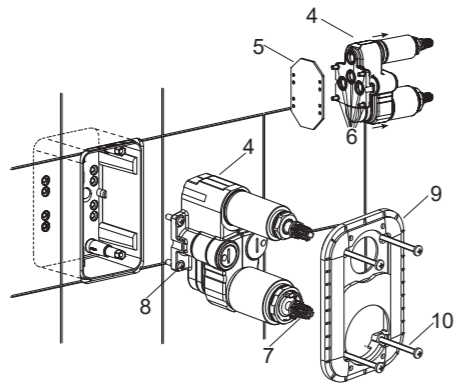
20936T-9 & 20938T-9

## INSTALLATION



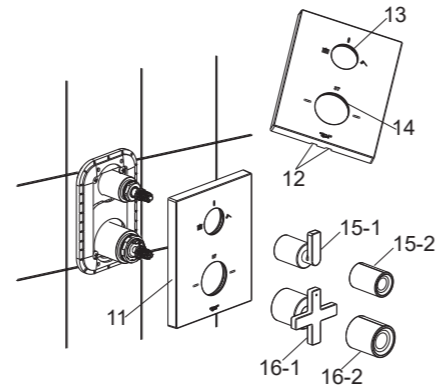
**NOTE:** Install mounting box kit(1) according to the rough-in dimensions of 98699T-NA.

Cut the protrudent part of the mounting box kit out of the finished wall. Unscrew the screw(2), remove the protect cover kit(3).



Remove the protection(5) on the valve kit(4). **NOTE:** Don't drop the O-rings(6), don't turn the cartridge spindle(7) when install it. The holes on the bottom of the valve kit should be aligned with the holes in the mounting box. Install the valve kit into the mounting box kit, tighten the screws(8).

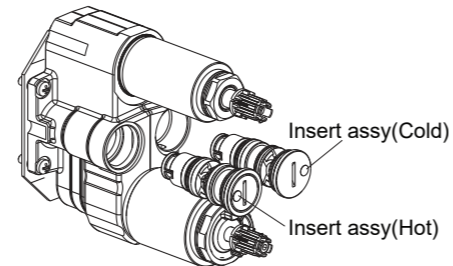
Slide the cover kit(9) onto the valve. Push it against the wall. Secure it with the screws(10).



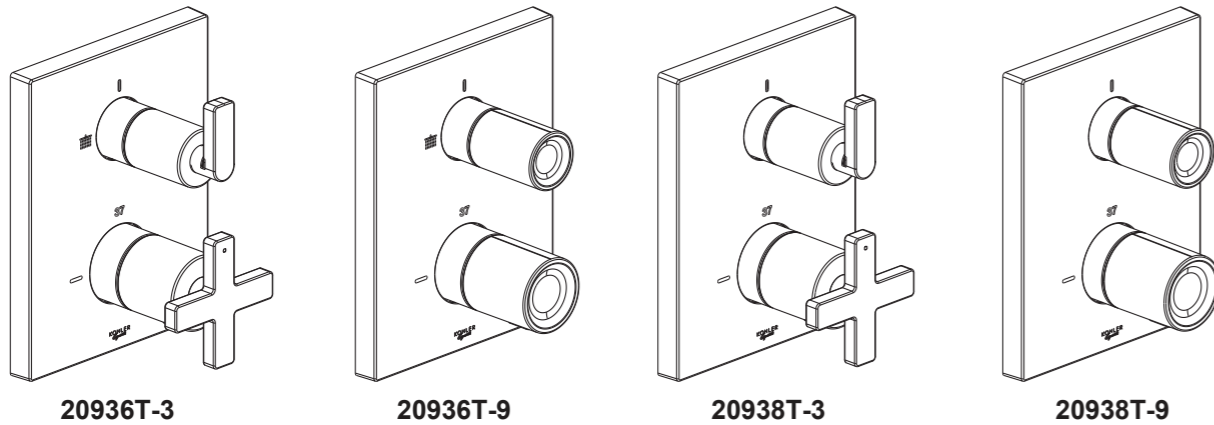
Slide the faceplate(11) onto the valve with slots(12) downwards. **NOTE:** Don't squeeze out the rings(13,14). Push it against the wall.

Install the handles(15-1 or 15-2, 16-1 or 16-2) on the cartridge spindle. Please position the handles as shown.

**NOTE:** If the hot and cold water supplies are connected inversely, installer must exchange the position of the hot and cold insert assy. Ensure the product works properly.



The illustration shown is the correct position of the handles in the closed position.



## OPERATION INSTRUCTION

The temperature is set by slowly turning the temperature handle(lower handle). For safety reasons, there is a stop that limits temperature to 37°C. To get a higher temperature, push the button and continue turning the temperature handle.

Water flow is set by turning the flow handle(upper handle).

## Temperature Verification and Setting

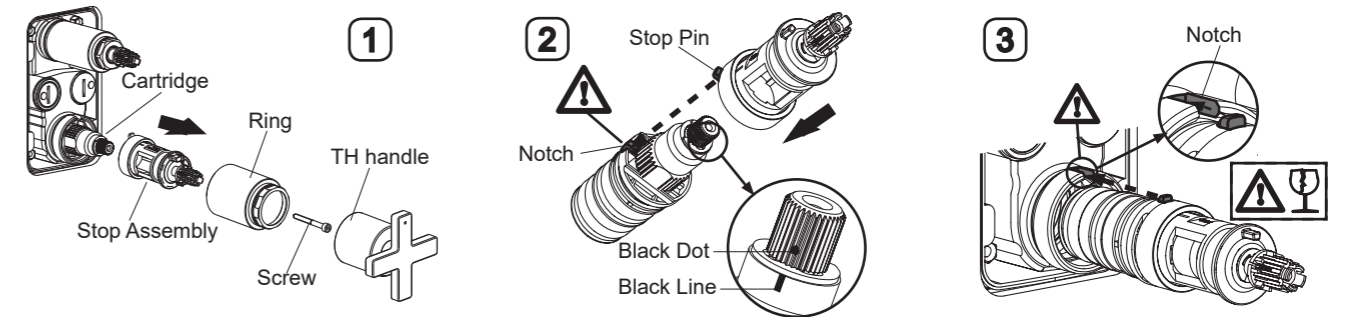
Make sure that the water feeds of the faucet have reached their highest temperature but within the recommended range by running the water sufficiently. With the selector in position 37°C, the temperature of the water should be within a range of 36°C and 38°C, as measured by a thermometer. If the temperature out of the range, the installer can adjust the setting. Proceed with the setting as follows:

Remove the temperature handle kit.

Under the normal condition of water flow, slowly turn the temperature selector(always in the same direction) from the cold water position until water temperature reaches 37°C. If the temperature goes over 37°C, go back to the "cold" setting and reset it.

When the temperature is stable, do not turn the cartridge spindle, reinstall the handle kit.

## CARE AND MAINTENANCE



### Clean Thermostatic Cartridge

Very hard water can obstruct the filters on thermostatic cartridge and reduce the flow of water. Please clean the cartridge as follows:

Shut off the water supplies of the faucet and open the flow valve, then proceed to remove the cartridge. The cartridge is sense part, please be careful.

Make sure the laser engraving on the handle is aligned with the number 37 on faceplate before your action. Remove the temperature handle kit. Remove stem, detent and stop assembly(Fig.1). Removing the thermostatic cartridge cautiously(15). Clean the thermostatic cartridge by soaking it in warm vinegar.

After cleaning, make sure that the black dot is correctly in line with the black line. Install the "stop assembly" back on the cartridge, adjusting the stop pin into the notch(Fig.2). Install the cartridge and stop assembly into the body, adjusting the stop pin into the notch(Fig.3). Reinstall the ring and screw. Reinstall the temperature handle kit and align the laser engraving on the handle to the "37" on the faceplate.

## INSTALLATION CHECKOUT

Ensure that all coupling nuts are tight. Ensure that the handles are in the off position.

Turn on the main water supply, and check for leaks. Repair as needed.

## CLEANING INSTRUCTIONS

All Finishes: Clean the finish with mild soap and warm water. Wipe entire surface completely dry with clean soft cloth. Many cleaners may contain chemicals, such as ammonia, chlorine, toilet cleaner etc, which could adversely affect the finish and are not recommended for cleaning.

Do not use abrasive cleaners or solvents on Kohler faucets and fittings.