

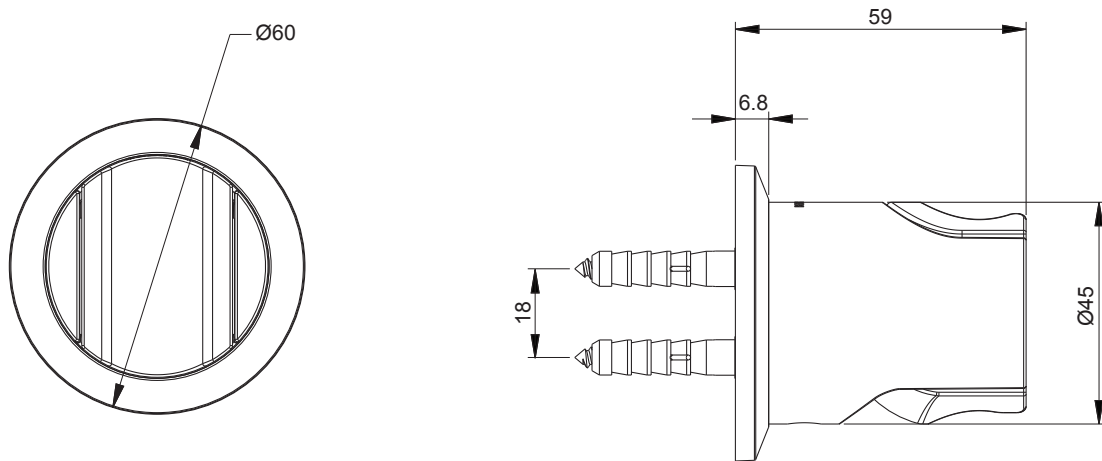
24028T Handshower Bracket

BEFORE YOU BEGIN

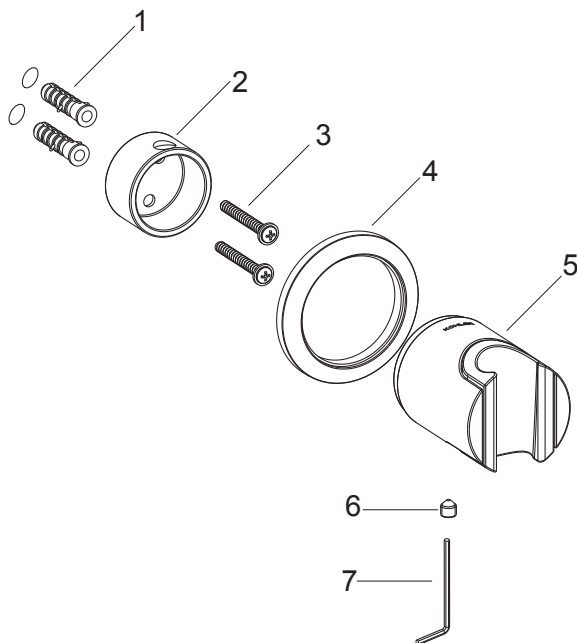
All information is based on the latest product information available at the time of publication. Kohler Co. reserves the right to make changes in product characteristics, packaging, or availability at any time without notice.

Please leave these instructions for the consumer. They contain important information.

ROUGH-IN DIMENSIONS



INSTALLATION



How to Install the Bracket

Determine a suitable location on the finished wall to install the bracket, make sure it should avoid buried cables and pipes in the wall.

Mark mounting locations of bracket base(2) on the wall, and drill two holes vertically in the finished wall according to the dimension. Install the anchors(1). Tighten screws(3) to fix the bracket base onto the wall.

Slide the escutcheon(4) onto the bracket(5). Apply a ring of plumbers putty or other sealants at the backside of the escutcheon. Install the bracket with escutcheon onto the bracket base until against the finished wall. Make sure the screw hole is facing downwards. Tighten it by hex wrench(7) and screw(6).

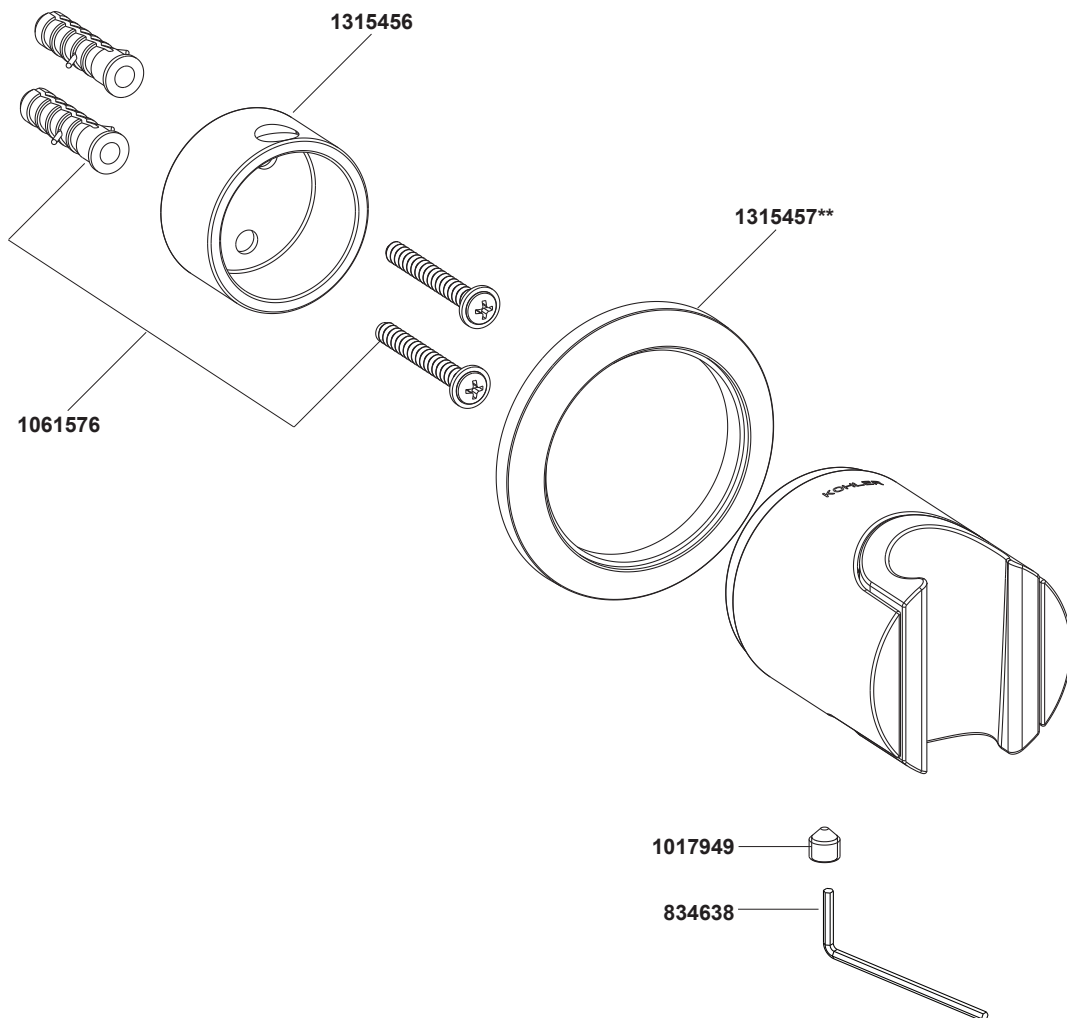
Remove any excess putty or sealants.

CLEANING INSTRUCTIONS

All Finishes: Clean the finish with mild soap and warm water. Wipe entire surface completely dry with clean soft cloth. Many cleaners may contain chemicals, such as ammonia, chlorine, toilet cleaner etc, which could adversely affect the finish and are not recommended for cleaning.

Do not use abrasive cleaners or solvents on Kohler faucets and fittings.

SERVICE PARTS



**Color code must be specified when ordering