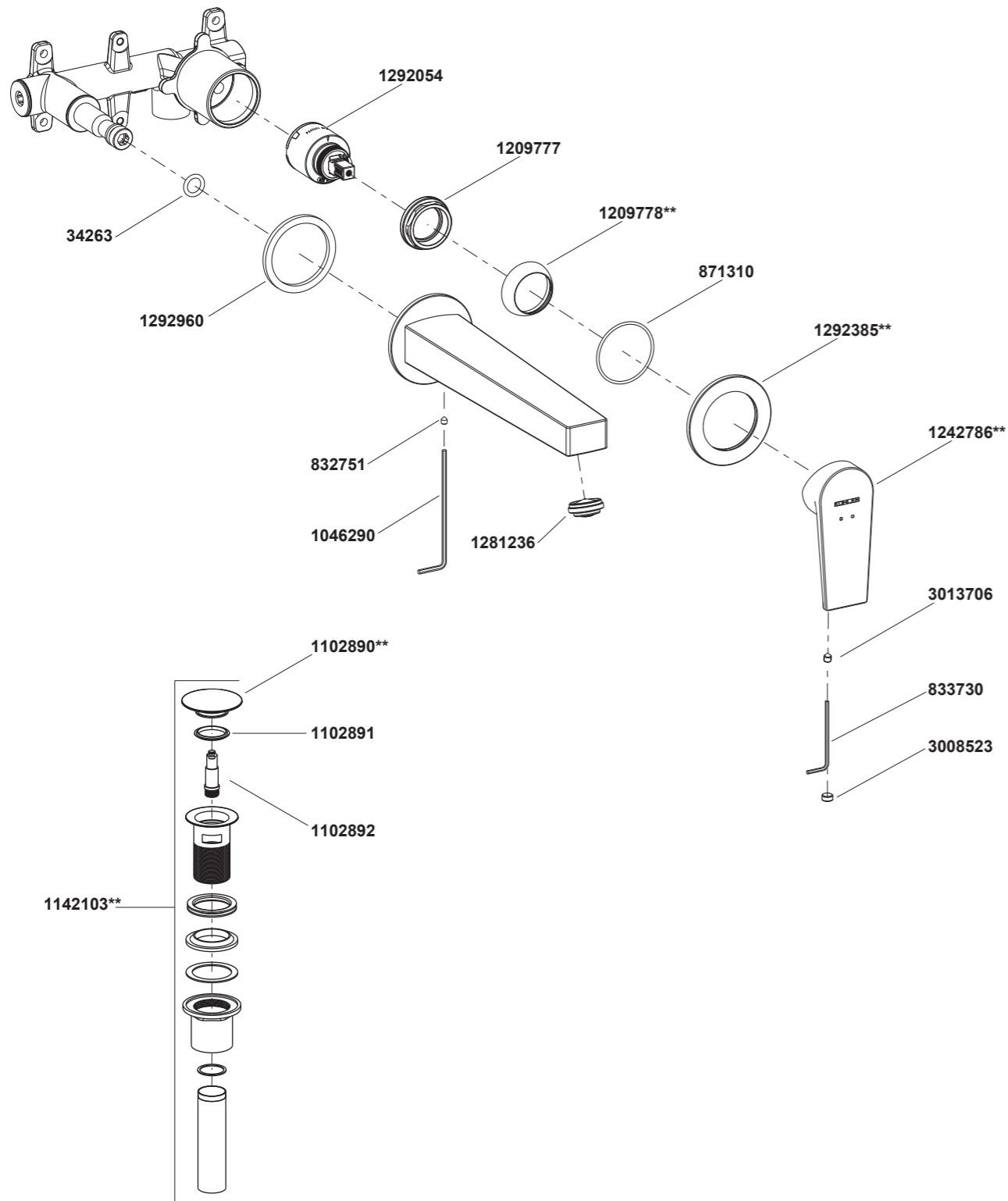


**74027T-4E2 Wall Mount Single Lever Lavatory Faucet**



\*\*Color code must be specified when ordering.

**74027T-4E2 Wall Mount Single Lever Lavatory Faucet**

**BEFORE YOU BEGIN**

All information is based on the latest product information available at the time of publication. Kohler Co. reserves the right to make changes in product characteristics, packaging, or availability at any time without notice.

Please leave these instructions for the consumer. They contain important information.

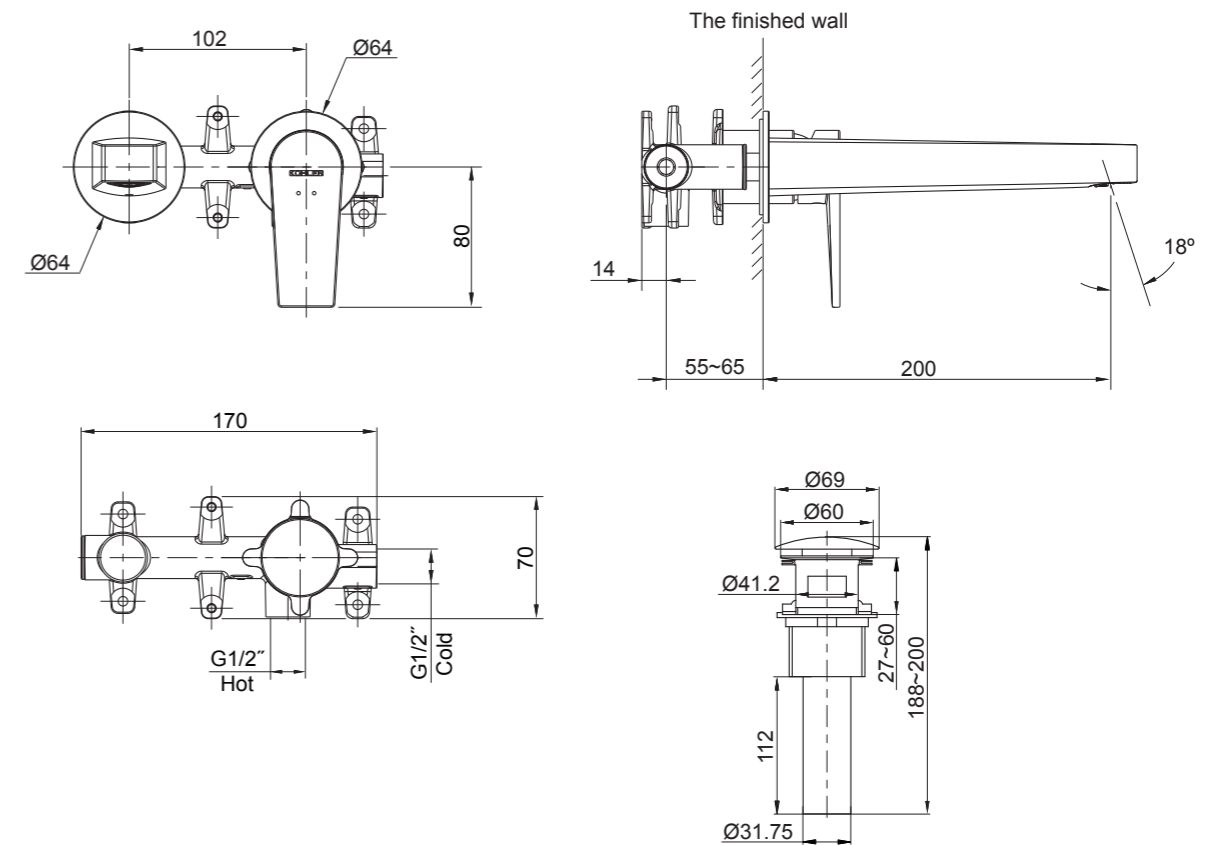
**NOTES:**

1. Flush the water supply pipes thoroughly to remove debris.
2. Inspect the supply tubing for damage and leakage. Replace and maintain as necessary.
3. Observe local plumbing codes.
4. If possible, install this faucet before installing the lavatory.
5. Please ensure only apply water pressure test on the product, and empty the air in pipe and faucet thoroughly before the test. Please ensure test pressure below 0.8MPa and test duration within 30 minutes.

**HANDLE OPERATION**

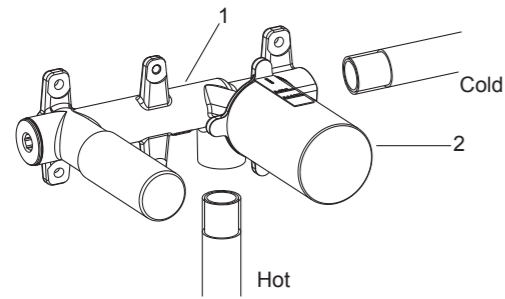
Lift handle gently. Turn clockwise for hot water, counter-clockwise for cold water.

**ROUGH-IN DIMENSIONS**



**74027T-4E2**

## INSTALLATION



### How to Install the Body

Determine where the valve body(1) will be located on the wall. Be sure the protectors(2) face front and the inlet of the valve body with mark 'C' is on the right.

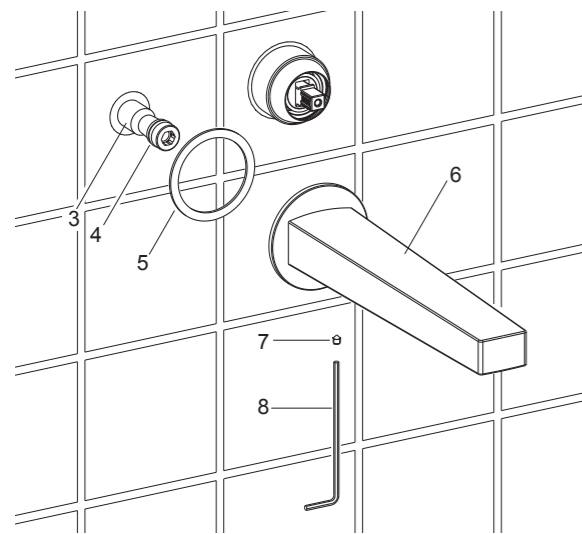
The outer surface of the finished wall should be between the MAX and MIN marks on the protector. The size of opening in finished wall is as figure shown.

**NOTE:** Ensure the centerline of valve is vertical to the wall.

Connect hot and cold supplies to the inlets of the valve body. Connect cold supply to the right inlet with mark 'C'. Connect hot supply to the bottom inlet with mark 'H'.

During installation, the protectors remain on the valve body.

①



### How to Install the Handle and Spout

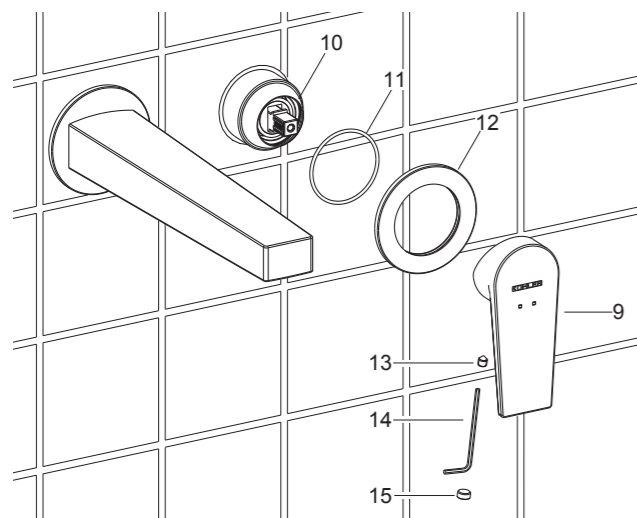
Remove the protectors after the wall is finished.

Remove the sticker from the washer(5), stick the washer into the rear of spout kit(6).

Loosen the screw(7) in the spout kit with hex wrench(8).

Install the spout kit onto the connector(3) with its outlet downwards until it is against the wall. Tighten the screw(7) with hex wrench to secure the spout. **NOTE:** Don't damage the O-ring(4) on connector.

②

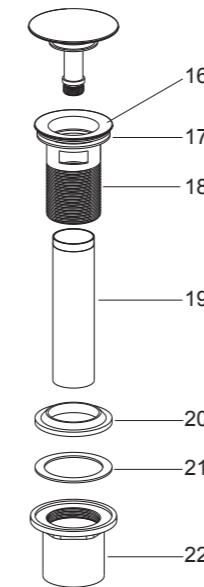


Be sure the O-ring(11) is in the groove of the escutcheon(12). Supply enough plumbers putty or other sealant to the rear of the escutcheon. Slide the escutcheon with o-ring onto the valve base(10) until it is against the wall.

Turn off the valve, and loosen the screw(13) in the handle(9) with 2.5mm hex wrench(14). Install the handle onto the valve base with it downwards. Tighten the screw with hex wrench and press the plug button(15) to the hole.

③ Remove any excess plumbers putty or sealant.

### How to Install the Drain



Remove the locknut(22), plastic washer(21) and the rubber gasket(20) and tailpiece(19) from the drain body(18).

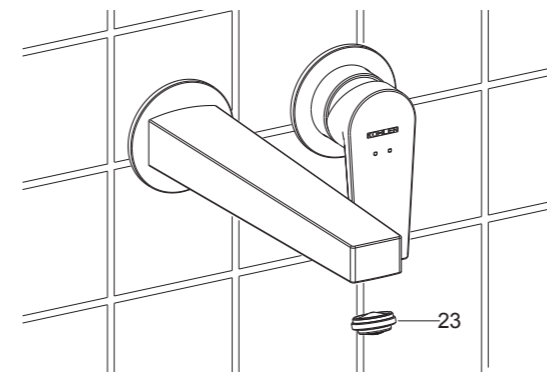
Supply enough tape or sealant to tailpiece thread. Reinstall the tailpiece.

Insert the drain body into the lavatory. Install the rubber gasket(Tapered side up), plastic washer and locknut back to the drain body in turn. Tighten the locknut.

**NOTE:** If needed, apply a ring of plumbers putty or other sealants around the underside of the drain flange(16), instead of using rubber washer(17).

Do not reposition the drain after the locknut is tightened, or you may break the putty or sealant seal. Remove any excess putty.

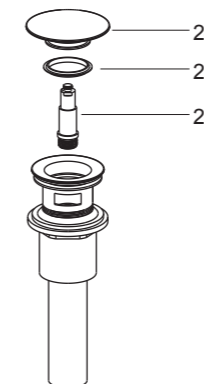
## INSTALLATION CHECKOUT



Ensure that all coupling nuts are tight. Ensure that the lever handle is in the off position.

Turn on the main water supply and drain, and check for leaks. Repair as needed.

Remove the aerator kit(23) by coin. Run hot and cold water through faucet for about one minute to remove any debris. Check for leaks. Repair as needed. Remove any debris from the aerator. Shut off the faucet. Reinstall the aerator.



### Replacing the Washer and Piston Kit

Turn counter clockwise to remove the stopper(24). Take out washer(25). Replace with a new one.

Turn counter clockwise to remove the piston kit(26). Replace with a new one. Reinstall stopper and washer.

## CLEANING INSTRUCTIONS

All Finishes: Clean the finish with mild soap and warm water. Wipe entire surface completely dry with clean soft cloth. Many cleaners may contain chemicals, such as ammonia, chlorine, toilet cleaner etc, which could adversely affect the finish and are not recommended for cleaning.

Do not use abrasive cleaners or solvents on Kohler faucets and fittings.