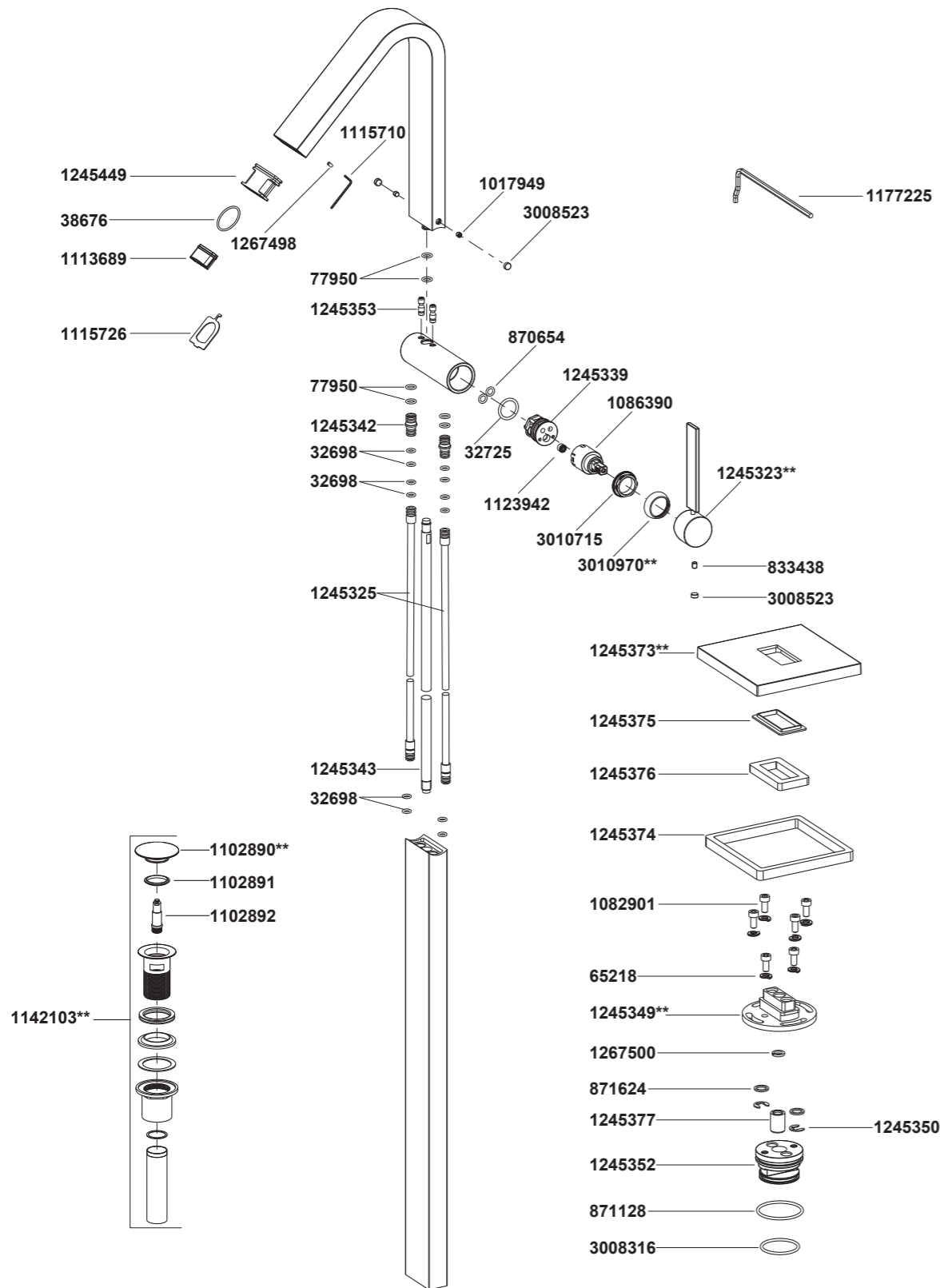


97909T-4 Floor Mount Lavatory Faucet



**Color code must be specified when ordering.

97909T-4 Floor Mount Lavatory Faucet

BEFORE YOU BEGIN

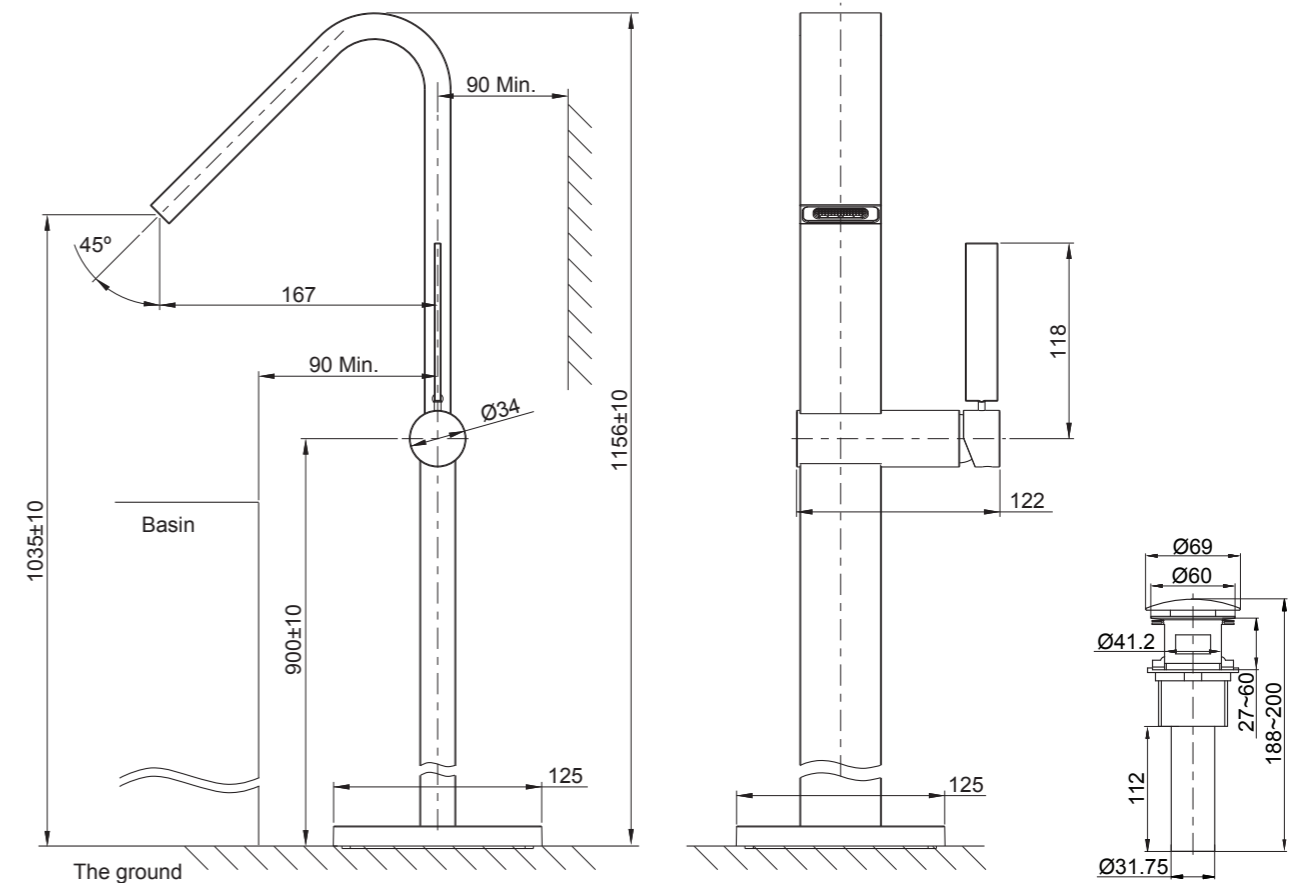
All information is based on the latest product information available at the time of publication. Kohler Co. reserves the right to make changes in product characteristics, packaging, or availability at any time without notice.

Please leave these instructions for the consumer. They contain important information.

NOTES:

1. Flush the water supply pipes thoroughly to remove debris.
2. Inspect the supply tubing for damage. Replace as necessary.
3. Observe local plumbing codes.
4. **Please purchase the matched mounting base 97904T-NA before install the faucet.**
5. Check for leaks before install the faucet, repairs as needed.
6. **The highest working pressure for faucet is 0.5MPa(5bar). If it exceeds 0.5MPa(5bar), a pressure reducer is needed. Or maybe damage the faucet.**

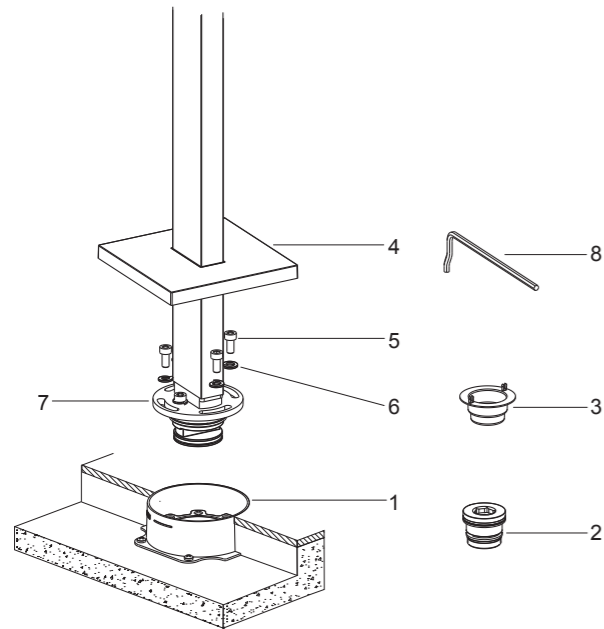
ROUGH-IN DIMENSIONS



HANDLE OPERATION

Open the handle gently. Turn clockwise for cold water, counter-clockwise for hot water.

INSTALLATION



①

How to Install the Faucet

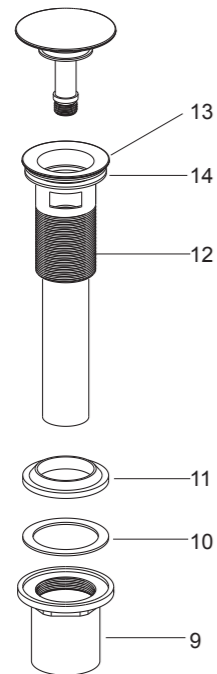
Please make sure the mounting base 97904T-NA(to be ordered separately) is already installed before install the faucet.

Shut off water supply. Cut away the extending part of the base protector(1) in accordance with the tile surface. Remove plug(2) from the base.

Remove protector(3) from the faucet. Slide up escutcheon kit(4). Install the faucet. **NOTE:** Keep the faucet vertical to base, to avoid damaging the O-rings on the bottom.

Keep the spout pointing to lavatory. Fix the faucet to the base with screws(5) and washers(6) through flange(7). Tighten the screws with hex wrench(8).

Slide down the escutcheon kit, make sure it against the finished wall.



②

How to Install the Drain

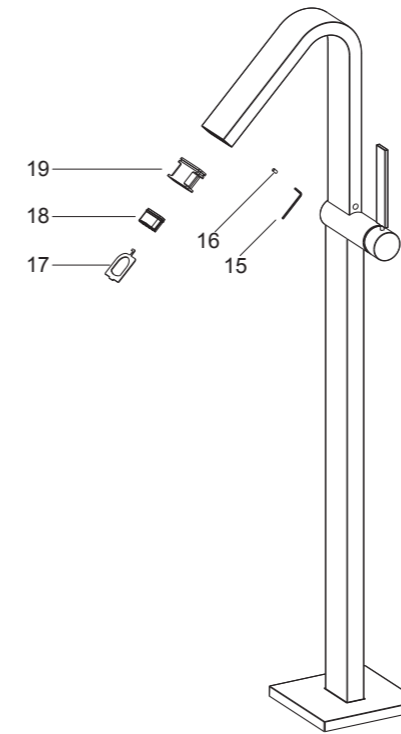
Remove the locknut(9), plastic washer(10), rubber gasket(11) from the drain body(12).

Insert the drain body into the lavatory. Reinstall the rubber gasket(Tapered side up), plastic washer and locknut back to the drain body in turn. Tighten the locknut.

NOTE: If needed, apply a ring of plumbers putty or other sealants around the underside of the drain flange(13), instead of using rubber washer(14).

Do not reposition the drain after the locknut is tightened, or you may break the putty or sealant seal. Remove any excess putty.

INSTALLATION CHECKOUT

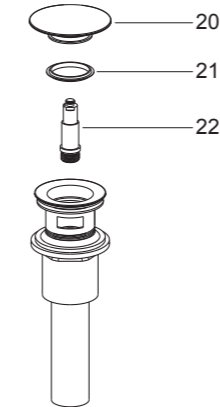


Ensure that all connections are tightened and the handle is in the off position.

Open the drain. Turn on main water supply and check for leaks. Repair as required.

Loosen screw(16) with 1.5mm hex wrench(15). Remove the aerator(18) carefully with key(17). Reinstall the aerator sleeve(19) by hand if the sleeve is pulled down.

Turn on the faucet. Run the water through the spout for about one minute to remove any debris. Remove any debris from the aerator. Shut off the faucet. Keep the fixing hole facing downwards, reinstall the aerator.



Replacing the Washer & Piston Kit

Turn counterclockwise to remove the stopper(20). Take out washer(21). Replace with a new one.

Turn counterclockwise to remove the piston kit(22). Replace with a new one. Reinstall stopper and washer.

CLEANING INSTRUCTIONS

All Finishes: Clean the finish with mild soap and warm water. Wipe entire surface completely dry with clean soft cloth. Many cleaners may contain chemicals, such as ammonia, chlorine, toilet cleaner etc, which could adversely affect the finish and are not recommended for cleaning.

Do not use abrasive cleaners or solvents on Kohler faucets and fittings.