

15344T Multi-Function Handspray  
45973T Traditional Handspray

### BEFORE YOU BEGIN

All information is based on the latest product information available at the time of publication. Kohler Co. reserves the right to make changes in product characteristics, packaging, or availability at any time without notice.

Please leave these instructions for the consumer. They contain important information.

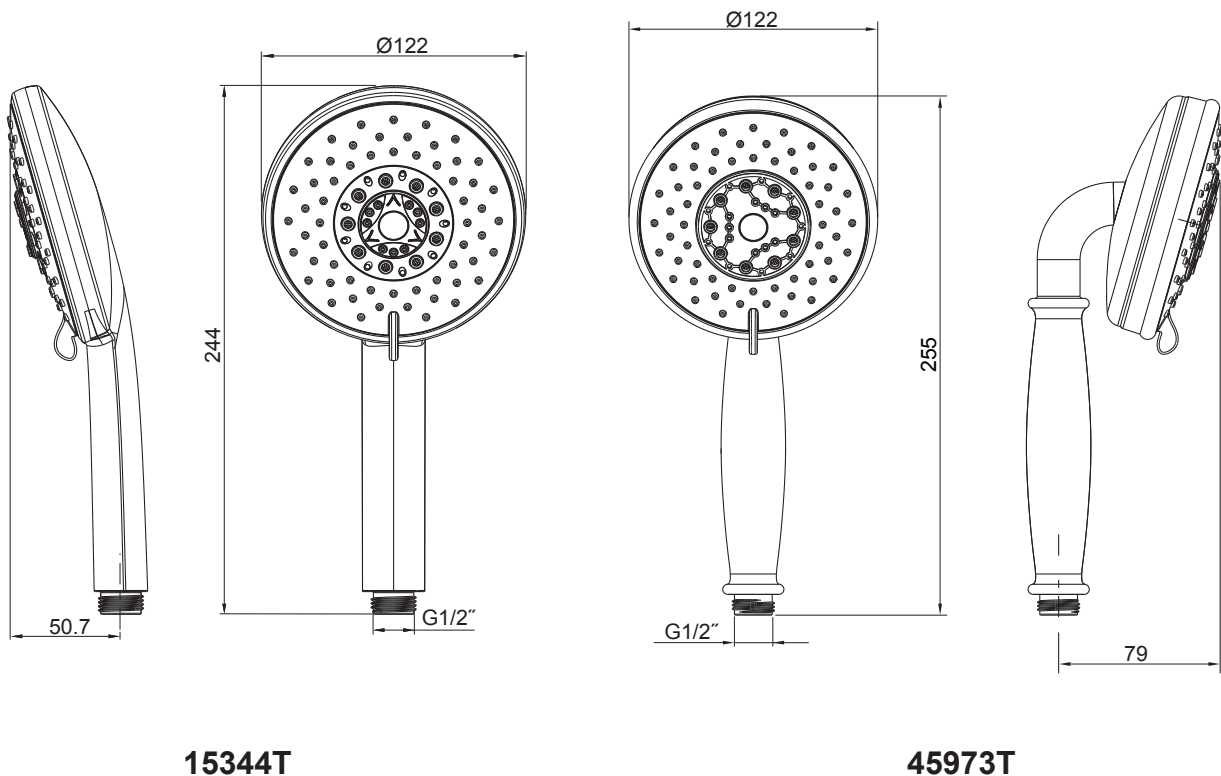
#### NOTES:

1. Flush the water supply pipes thoroughly to remove debris.
2. The highest working pressure for handspray is 0.5MPa(5 bar). If it exceeds 0.5MPa(5 bar), a pressure reducer is needed. The highest water and environment temperature is 60°C. Please keep handspray, showerhead and the shower arm away from heater, or it may become damaged and cause injury to the user.

### STANDARD APPLICABLE

Special model meets or exceeds the following at date of manufacture: TIS

### ROUGH-IN DIMENSIONS



## INSTALLATION

Flush both water supply for about one minute before the handspray is installed.

Place the check valve(2) into the handspray(1) according to the drawing.

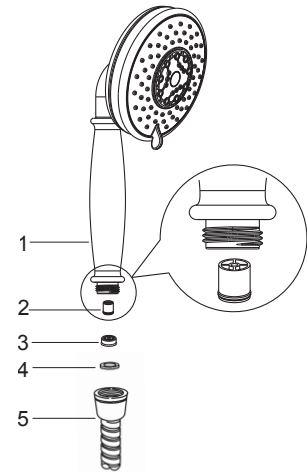
**Note:** Keep the O-ring of the check valve downward.

Install flow regulator(3) into the shower inlet if needed.

**Note:** If working pressure is too low, regulator is not needed.

Put the screen washer(4) into the shower hose(5, not provided) connector. Attach the handspray to shower hose. **Note:** Don't over tighten.

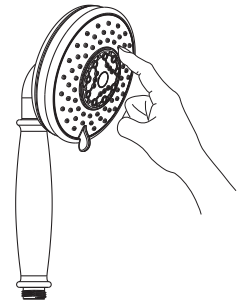
Connect another end of shower hose to the water supply.



## OPERATING INSTRUCTIONS

### How to Clean the Nozzles

Any debris or mineral build-up may cause the flow stream to become distorted or reduce the flowrate. To remove the debris or mineral build-up, run water through the handspray, firmly press or rub your finger back and forth across the rubber nozzles.

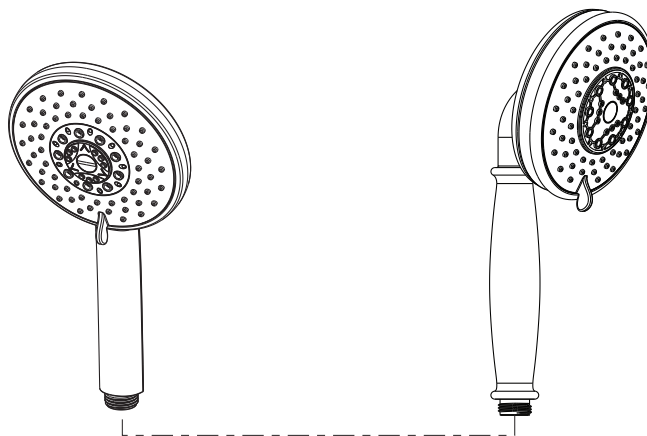


## CLEANING INSTRUCTIONS

All Finishes: Clean the finish with mild soap and warm water. Wipe entire surface completely dry with clean soft cloth. Many cleaners may contain chemicals, such as ammonia, chlorine, toilet cleaner etc. which could adversely affect the finish and are not recommended for cleaning.

Do not use abrasive cleaners or solvents on Kohler faucets and fittings.

## SERVICE PARTS



1240266 — [part]

1030624 — [part]

77420 — [part]

\*\*Color code must be specified when ordering