

INSTALLATION INSTRUCTIONS

12969T-B 12970T-B Straight Shower Column With Showerhead

BEFORE YOU BEGIN

All information is based on the latest product information available at the time of publication. Kohler Co. reserves the right to make changes in product characteristics, packaging, or availability at any time without notice.

Please leave these instructions for the consumer. They contain important information.

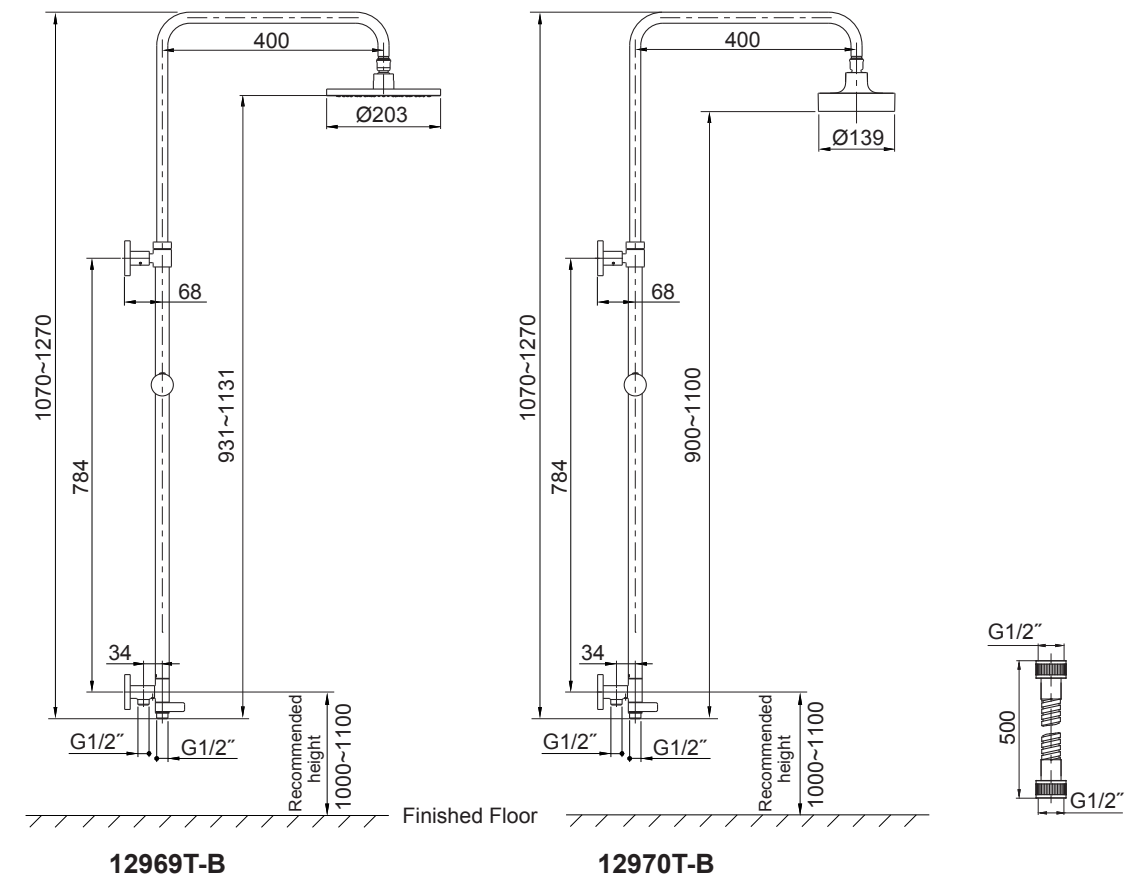
NOTES:

1. Shut off the water supplies to the fitting.
2. Inspect the supply tubing for damage. Replace as necessary.
3. Observe local plumbing codes.
4. Recommended minimum working pressure is 0.2MPa(2bar).
5. The highest working pressure for showerhead is 0.5MPa(5bar). If it exceeds 0.5MPa(5bar), a pressure reducer is needed. The highest water and environment temperature is 60°C. Please keep handspray, showerhead and the shower arm away from heater, or it may become damaged and cause injury to the user.

HANDLE OPERATION

Turn the diverter handle counter-clockwise, the back connector of the diverter works; turn it clockwise, showerhead works.

ROUGH-IN DIMENSIONS



INSTALLATION

How To Install The Shower Column

Select a location in vertical wall to install shower column according to rough-in dimensions.

Drill the lower hole as anchors(1) diameter and lower base(3-1) position in the finished wall(**NOTE:** The arrow in the base is upward). Press anchors into the hole, secure the base by the screw(2).

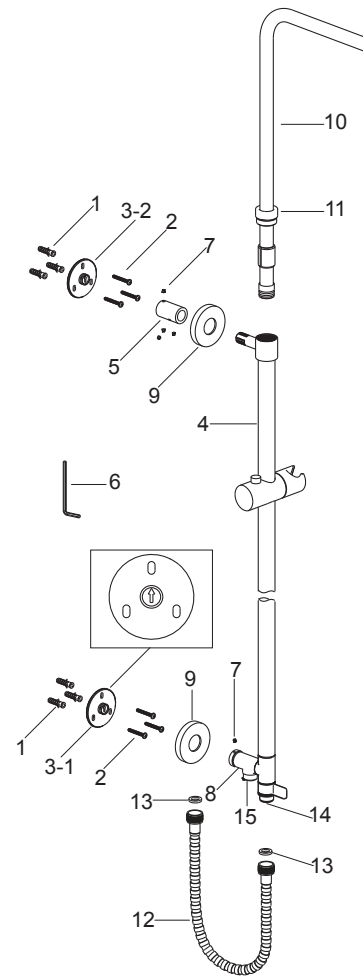
Rehearse the slide bar kit(4) installation for the upper base(3-2) mounting location determination. Slide the tube joint(5) onto the slide bar kit, and connect them to the base(**NOTE:** The arrow in the base is upward). Install the screws(7) into the tube joint with the hex wrench(6), and tighten them.

Place the slide bar and the body against the finished wall. Connect the lower base and the diverter body kit(8). Position and tighten them by hex wrench. Mark the hole of upper base(3-2) with a pencil. Uninstall the slide bar kit and tube joint.(**NOTE:** Don't lose the screws.)

Drill holes on the mark. Press the anchors into the holes. Secure the upper base(3-2) by the screws. Install the tube joint(5) to the base(3-2) and tighten them by screws. Reinstall the slide bar kit with escutcheons (9) to the bases. Tighten the screws with the hex wrench. Screw the escutcheons with the bases until against the finished wall.

Install the tube kit(10) into the slide bar kit. Install the nut(11) onto the tube kit with soft cloth between internal hole of the nut and the tube kit. Then screw the nut onto the slide bar kit with strap wrench or soft cloth between the nut and regular wrench.

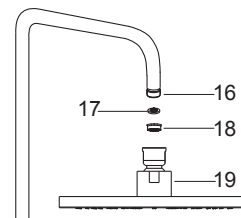
Connect the hose(12) with washers(13) between the mixer water supply and the connector(14). The connector(15) will be used for handspray connection.



How To Install The Showerhead

Turn the diverter handle to showerhead(19) work, run hot and cold water for about one minute to remove any debris before the showerhead is installed.

Tighten the showerhead onto the tube kit outlet(16) with strap wrench. For 12969T-B, before installation, take out the washer(17) and install the regulator(18) into the showerhead inlet if needed, then reinstall the washer as shown.



CLEANING INSTRUCTIONS

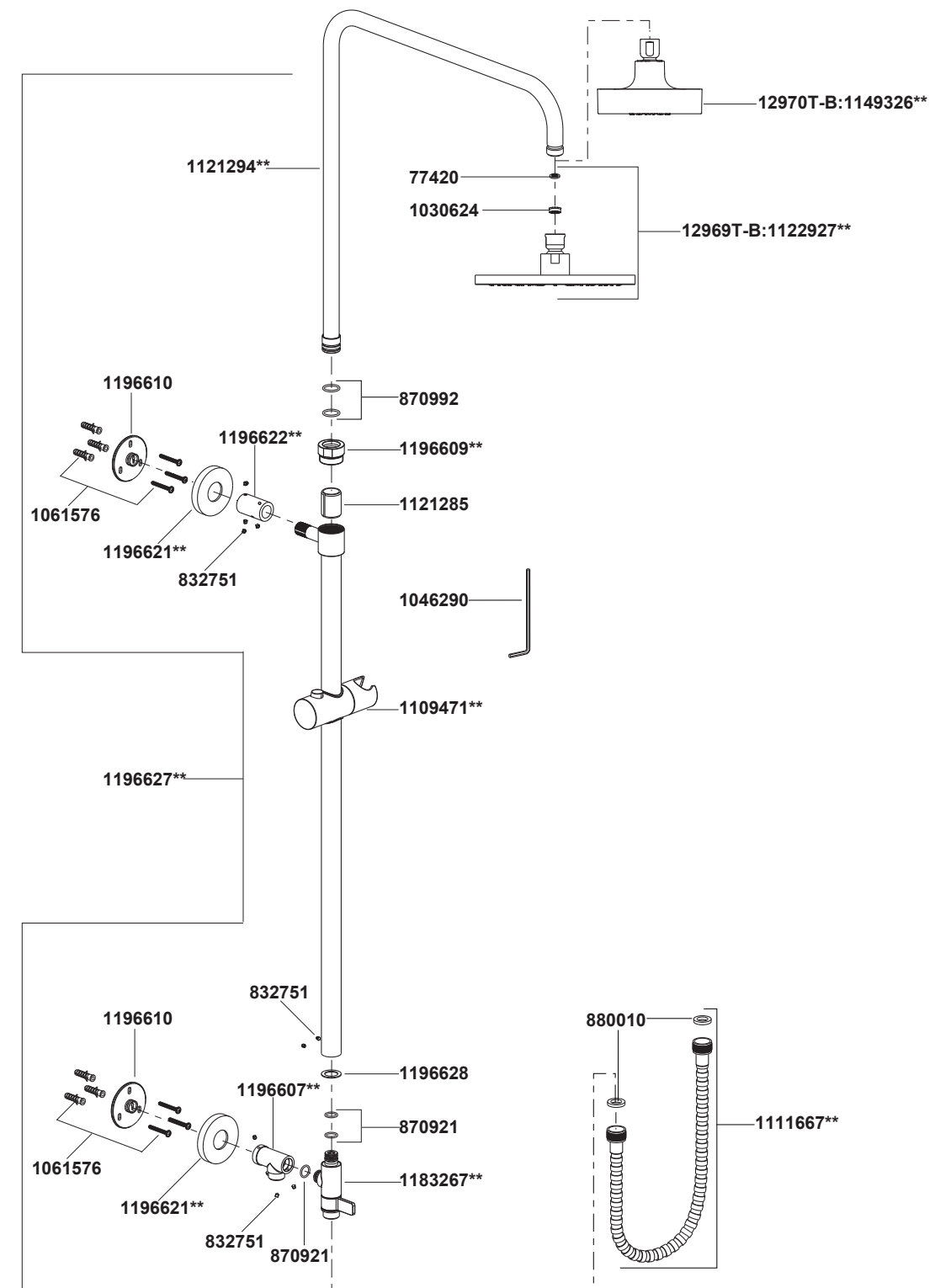
All Finishes: Clean the finish with mild soap and warm water. Wipe entire surface completely dry with clean soft cloth. Many cleaners may contain chemicals, such as ammonia, chlorine, toilet cleaner etc. which could adversely affect the finish and are not recommended for cleaning.

Do not use abrasive cleaners or solvents on Kohler faucets and fittings.

KOHLER®

SERVICE PARTS

12969T-B 12970T-B Straight Shower Column With Showerhead



**Color code must be specified when ordering