

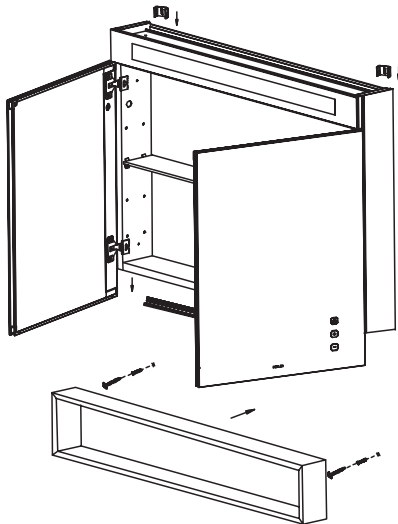
### IMPORTANT INFORMATION

1. The product is composed of mirrored cabinet and open shelf. They are separately packed. Please install according to their installation instructions.
2. The product contains lighting and anti-fogging equipment. Please pre-arrange power port of 220V/50Hz.

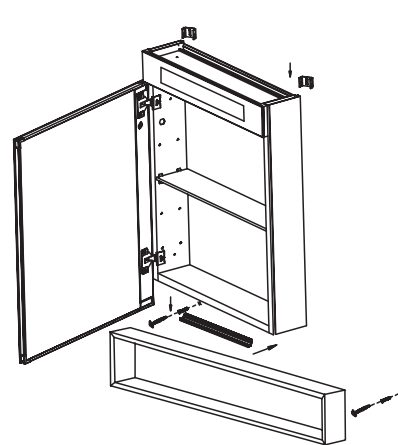
### 重要提示

1. 本产品由镜柜和开放式横柜两部分组件, 分为两个独立包装, 请分别按包装内的说明书进行安装。
2. 本产品含有灯具和防雾功能的电器, 请在安装前预留 220V/50Hz电源接口。

**K-99932T**  
Double Open Cabinet  
双门镜柜

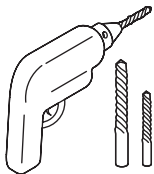


**K-99933T**  
Single Open Cabinet  
单门镜柜

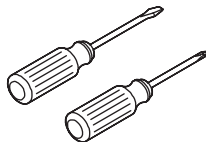


### TOOLS AND MATERIALS

### 工具和材料



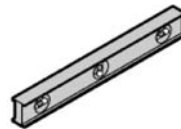
Drill with Assorted Bits  
电钻及配套钻头



Assorted Screwdrivers  
螺丝刀



Band Tape  
卷尺



Levelling Ruler  
水平尺



Pencil  
笔

**Plus:**

- Protective Material
- Tape

**其他:**

- 垫子或防护材料;
- 胶帶。

## SERVICE KITS.

## 安装附件包



Wall Bracket  
托条  
X1



Wall Clips  
顶扣  
X2



Snap-in Pins  
嵌入式层板架  
X10



Hole Plugs  
孔塞  
X10



Glass Shelf  
层板玻璃  
X2



Wall Anchors  
入墙胶粒  
X5



Screw ST3.5X35  
盘头自攻螺钉ST3.5X35  
X5



Caps of Screw  
螺钉盖  
X6

## BEFORE YOU BEGIN

## 安装之前

**WARNING: Risk of electric shock. Disconnect power before servicing.**

**危险：有电击的危险。**在工作之前必须先断开电源。

**WARNING: Risk of electric shock:** Connect only to a properly-grounded, grounding-type receptacle which is protected by a 220~240V, 50Hz Ground-Fault Circuit-Interrupter (GFCI) or Residual Current Device (RCD). Do not remove the grounding pin or use a grounding adapter.

**危险：有电击的危险。**产品只能连接到正确接地的接地型插座，而且插座需由220~240伏、50赫兹的接地故障断路器 (GFCI) 或剩余电流漏电保护器 (RCD) 来加以保护。不得去除接地引脚，也不得使用接地适配器。

- Consult the online users guide at kohler.com for more information.
- Kohler Co. reserves the right to make revisions in the design of products without notice.

- 到科勒公司网站 (Kohler.com) 查阅在线用户指南，以获取更详尽的资料。
- 科勒公司保留修改产品设计的权利，恕不另行通知。

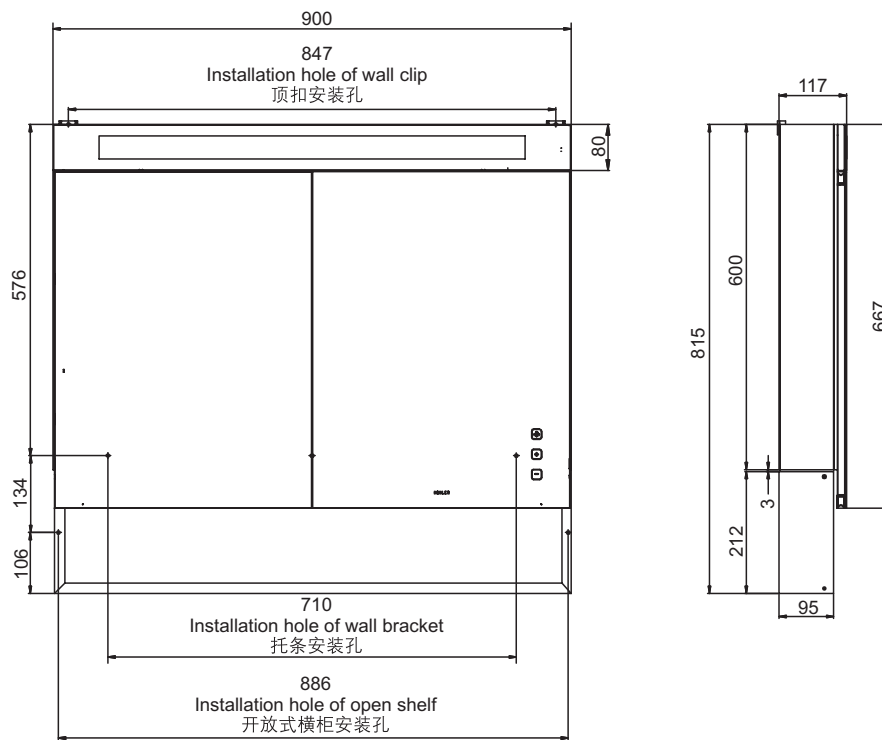
## ROUGHING-IN

## 尺寸图

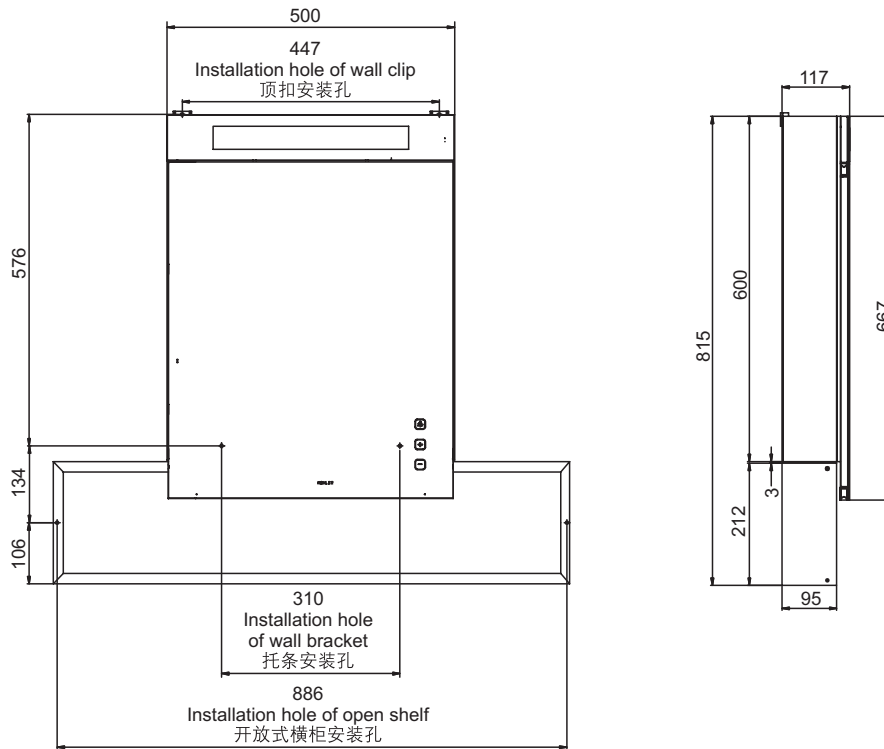
Reference Value  
参考值

**K-99932T**  
**Double Open Cabinet**  
双门镜柜

UNIT : mm  
单位：毫米



**K-99933T**  
**Single Open Cabinet**  
 单门镜柜



科勒公司保留随时变更图中标示尺寸的权利，无需另行通知。  
 Kohler reserves the right to change marked dimensions without prior notice.

**INSTALLATION**

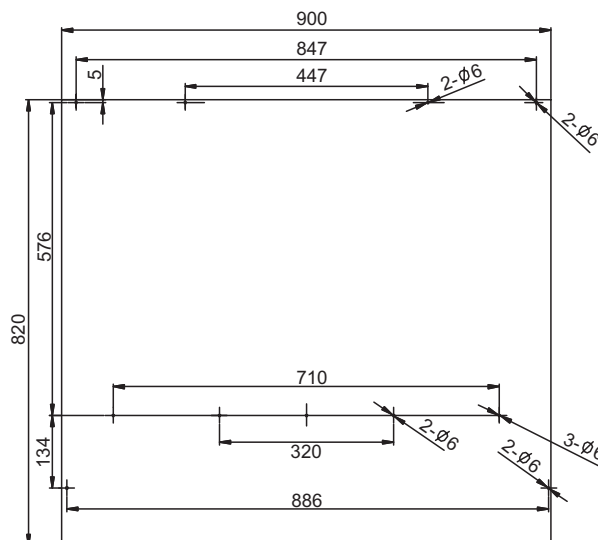
**安装**

**NOTE**

**注**

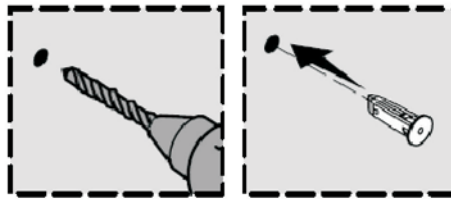
- It is recommended to install open shelf first. Make sure there must be at least 76mm gap between cabinet bottom and facet top.
- When lifting the cabinet, please support the two sides with both hands to avoid touching door bottom (which is easily to open and drop).
- Unfold the "template" on the wall to locate the installation hole (as shown).

- 建议先安装开放式横柜，并注意横柜底面与水龙头把手最高点至少有76mm间隙。
- 拿起镜柜时，双手托镜柜左右两侧，避免抓到门体下端(易旋转打开而脱落)。
- 将附带的“安装模板”展开贴平在墙上，可快速定位安装钻孔位置(如下图)。



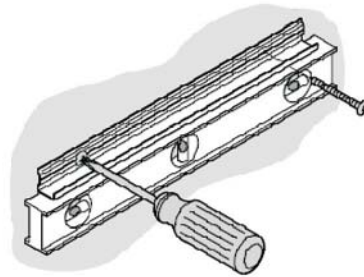
1. Drill a  $\phi 6$  hole and insert wall anchor.

1. 在墙上钻  $\phi 6$  孔，并打入入墙胶粒。



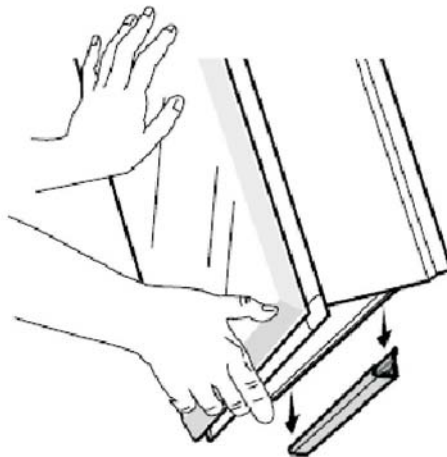
2. Fix the wall bracket with ST3.5x35 pan head self-tapping screw.

2. 用盘头自攻螺钉ST3.5X35固定托条。



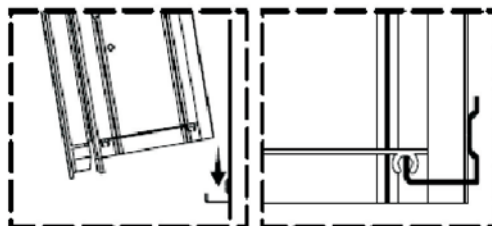
3. Put the cabinet onto the wall bracket.

3. 将柜体放在托条上。



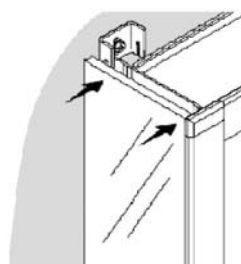
A. When installing cabinet onto the wall bracket, please pay attention to its position.

A. 注意托条与柜体底面的装配位置。



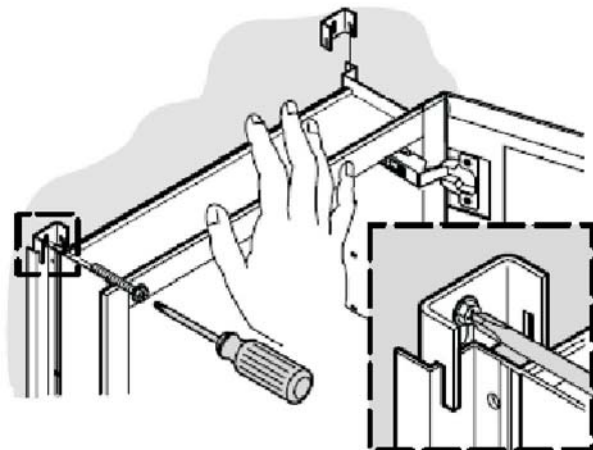
B. Avoid knocking the wall with the sharp corner of side mirror.

B. 安装时避免侧镜尖角碰到墙面。



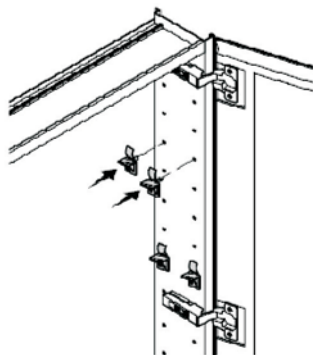
4. Fix the cabinet with wall clip.

4. 用顶扣固定柜体。



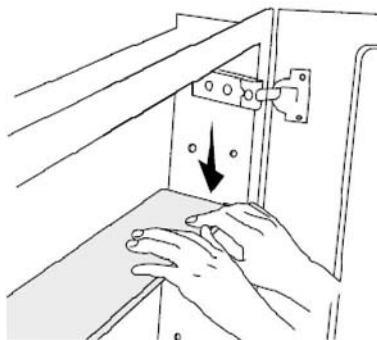
5. Install snap-in pins.

5. 安装嵌入式层板架。



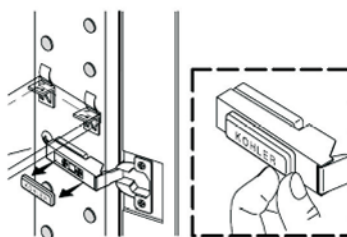
6. Install glass shelf.

6. 安装层板玻璃。



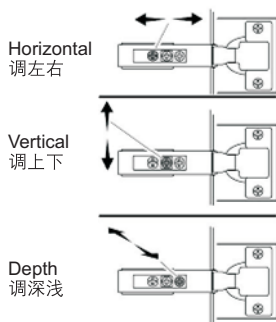
7. Open hinge cover before adjusting the door.

7. 门体调节前，先将铰链盖揭开。



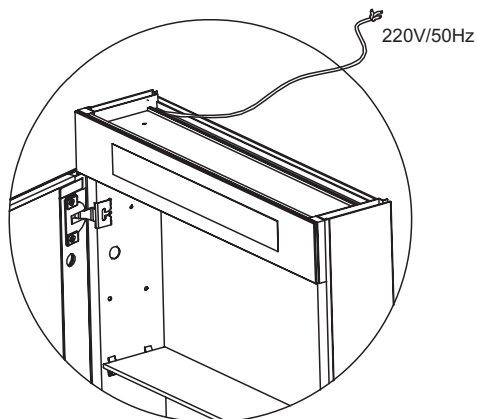
8. Adjust the hinge as shown when necessary.

8. 门体不正时，可按如图所示调节铰链。



9. Connect power supply.

9. 电源线的连接。



Fixture 接线座	Outlet 电源电线	Wiring Color 电线颜色
L	Hot 火线	Brown 棕色线
⊕	Ground 地线	Yellow 黄色线
N	Neutral 零线	Blue 蓝色线

**Button Functions**

**外镜上按键图标功能说明**

NO	Button 按键名称	Icon 按键图标	Functions 功能及操作说明
1	Power 电源按键		Switch on or switch off power(the light flashes under standby mode) 开启或关闭电源(待机有呼吸灯效果)
2	Increase Brightness 亮度增		Press this button to increase brightness. 按此键增大照明灯亮度。
3	Decrease Brightness 亮度减		Press this button to decrease brightness. 按此键减少照明灯亮度。

## USER MAINTENANCE

## 日常维护

### Warn! Risk of product damage.

1. Many cleansers contain abrasive and chemical substance which is not suitable for cleaning stainless steel, enamel, plating or plastic products. You may use mild cleansers or soaps to clean the surfaces. Wipe any splashes of cleaner solutions from the surface with clean soft cloth.
2. Maintain ventilation in the bathroom, and separate the dry area from the damp one if conditions permit. Try to open the door and windows of the bathroom and maintain good ventilation.
3. Kohler mirrored cabinet are dealt with strict procedures for damp-proof, whose good damp-proof function ensures good performance even in bathroom of huge humidity. Yet do not splash and pour water directly on the mirrored cabinet. Make sure that the bathroom is not over damp and wipe any splashes from surfaces immediately.
4. Maintenance of door board: Clean and wipe door board regularly, and wipe the condensation vapor with dry and soft cloth.
5. The mirrored cabinet door and interior are constructed of mirror and aluminum. Use only a damp cloth to clean. Spray the cloth, not the mirror when cleaning. Mirrors are damaged by the use of ammonia or vinegar based cleaners. Rubbing alcohol can be used for stubborn stains.
6. Use no abrasive cleansers on any part of the mirrored cabinet.
7. The white frame should be cleaned with a damp cloth only.

### 警告！小心产品受损。

1. 许多清洁剂都含有研磨剂及化学物质，不可用于清洁不锈钢、搪瓷、镀层或塑料制品。这些表面须使用温和的清洁剂或皂液进行清洁，将残余洗涤剂洗干净，然后用干净的软布擦干。
2. 卫生间请保持良好的通风状态，有条件的可以干、湿分离，平常尽量保持浴室空气畅通，养成开窗开门的习惯。
3. 科勒镜柜都经过严格的防潮处理，但防潮并不是防水，使用时不可随意任镜柜被水浇、溅。良好的防潮性能可以保证在高相对湿度时仍有良好使用性，所以请避免卫生间过于潮湿，遇有水迹要及时擦干。
4. 门板的保养：经常用软布定期清洁、擦拭，洗浴后的冷凝水蒸气应用干布擦净，保持门板的干爽。
5. 镜柜是由玻璃镜和铝材制造出来的。只能用潮布清洁。清洁时请将水喷在布上，而不是玻璃镜上，含氨或酸的清洁剂会损坏玻璃镜，一些顽渍可用酒精擦除。
6. 千万不要磨沙型清洁剂擦拭镜柜的任何地方。
7. 白色框架的镜柜只可用潮布擦拭清洁。