

### 12053T-B Single Lever Kitchen Faucet

#### BEFORE YOU BEGIN

All information is based on the latest product information available at the time of publication. Kohler Co. reserves the right to make changes in product characteristics, packaging, or availability at any time without notice.

Please leave these instructions for the consumer. They contain important information.

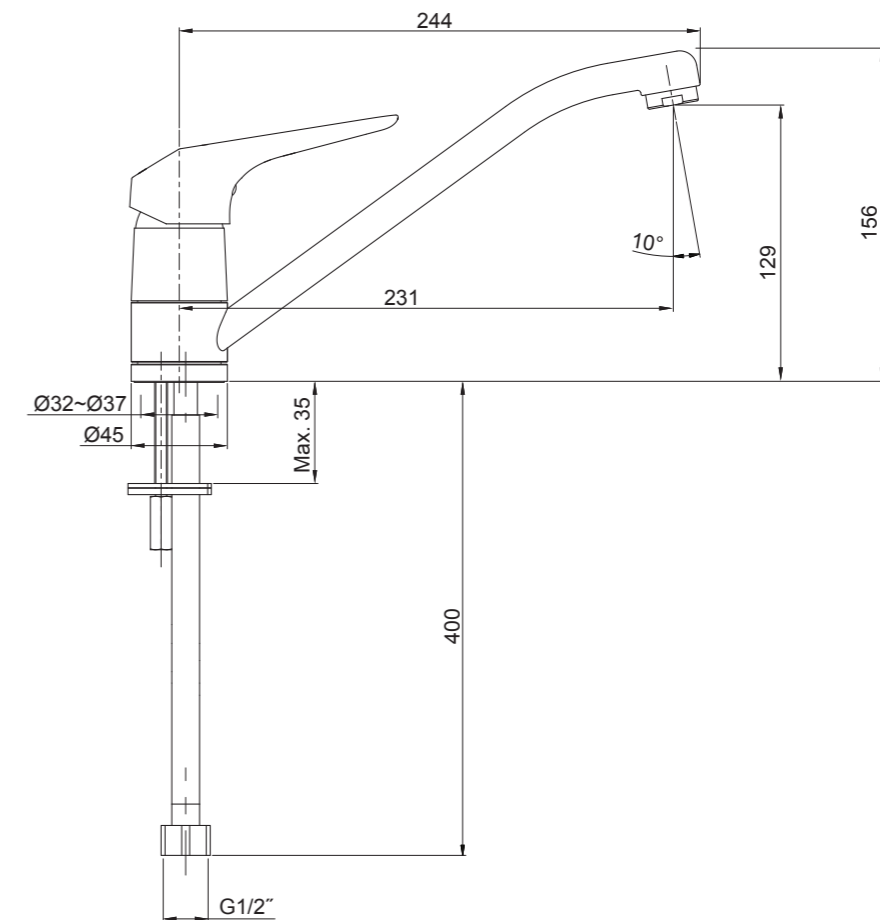
#### NOTES:

1. Flush the water supply pipes thoroughly to remove debris.
2. For new installations, assemble the faucet to sink before installing.

#### HANDLE OPERATION

Lift the handle gently. Turn clockwise for hot water, counter-clockwise for cold water.

#### ROUGH-IN DIMENSIONS



## INSTALLATION

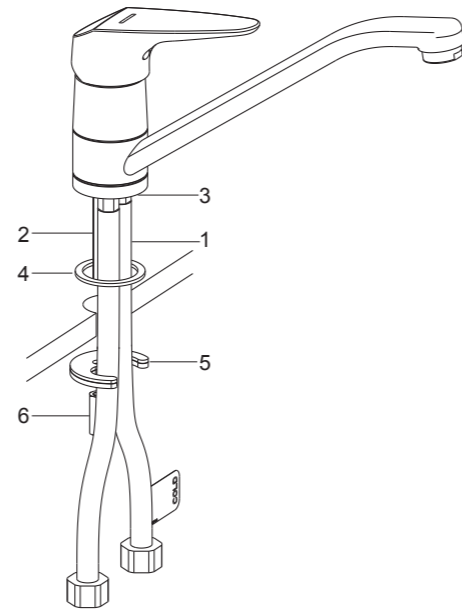
### How To Install The Faucet

Install flexible supply hoses(1) and mounting stud(2) into the faucet body base(3). Tighten it by hand.

Slide the washer(4) over the flexible hoses and mounting stud, and into the groove on the bottom of the faucet body.

Insert the flexible hoses(1) into the sink hole. Position the faucet. From underside of the sink, fit the bracket(5) on the threaded stud, and secure the faucet with the nut(6).

If the sink is not installed, install it at this time. Be sure to follow all instructions packed with the sink.

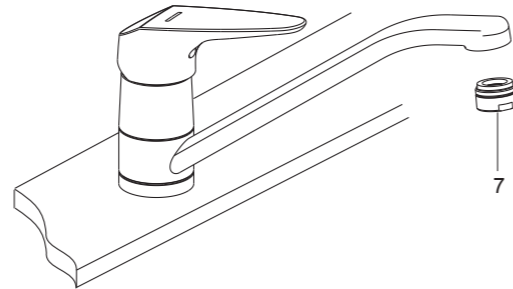


## INSTALLATION CHECKOUT

Ensure that all coupling nuts are tight. Ensure that handle is in the off position.

Open the drain. Turn on main water supply and check for leaks. Repair as required.

Remove the aerator assembly(7). Run hot and cold water through faucet for about one minute to remove any debris. Remove any debris from the aerator. Turn the faucet off and reinstall the aerator.



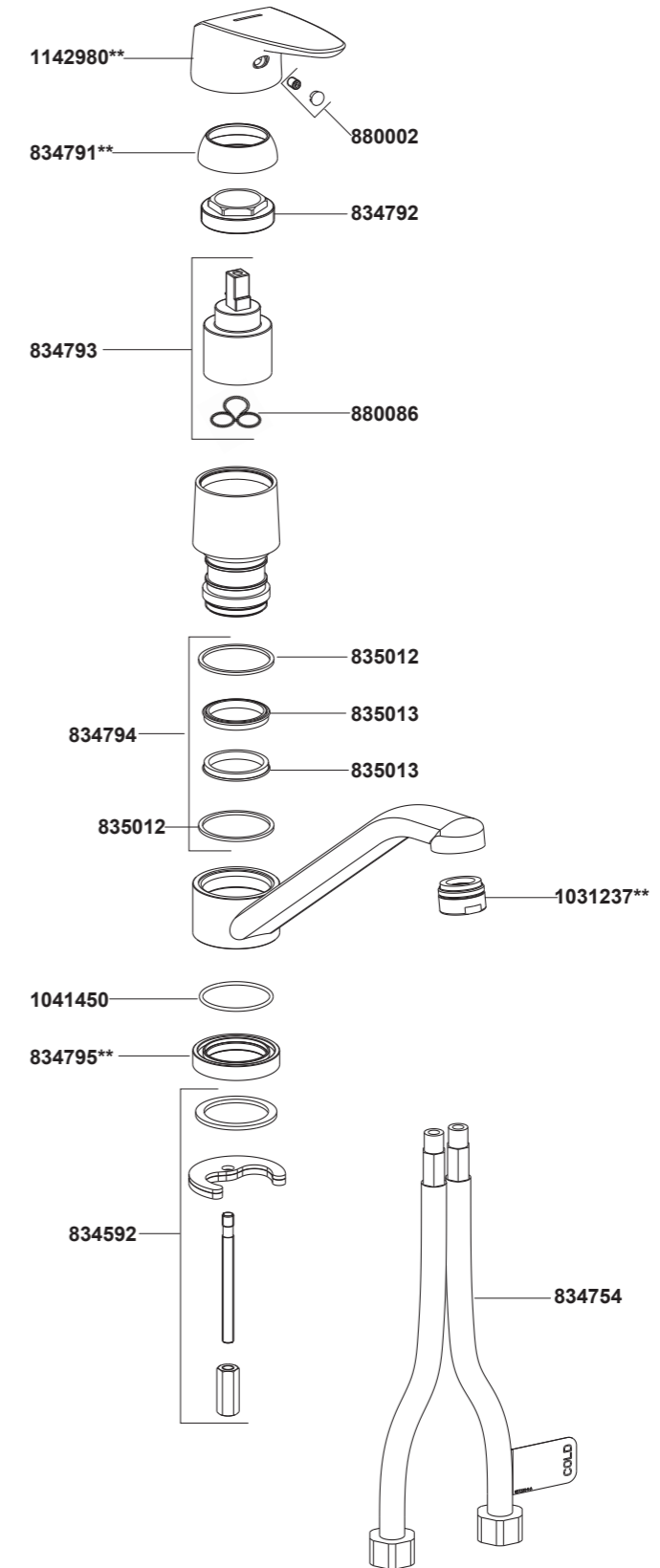
## CLEANING INSTRUCTIONS

All Finishes: Clean the finish with mild soap and warm water. Wipe entire surface completely dry with clean soft cloth. Many cleaners may contain chemicals, such as ammonia, chlorine, toilet cleaner etc, which could adversely affect the finish and are not recommended for cleaning.

Do not use abrasive cleaners or solvents on Kohler faucets and fittings.

"LEAD FREE" is marked on the back of the faucet signifying its compliance with the United States AB1953

### 12053T-B Single Lever Kitchen Faucet



\*\*Color code must be specified when ordering