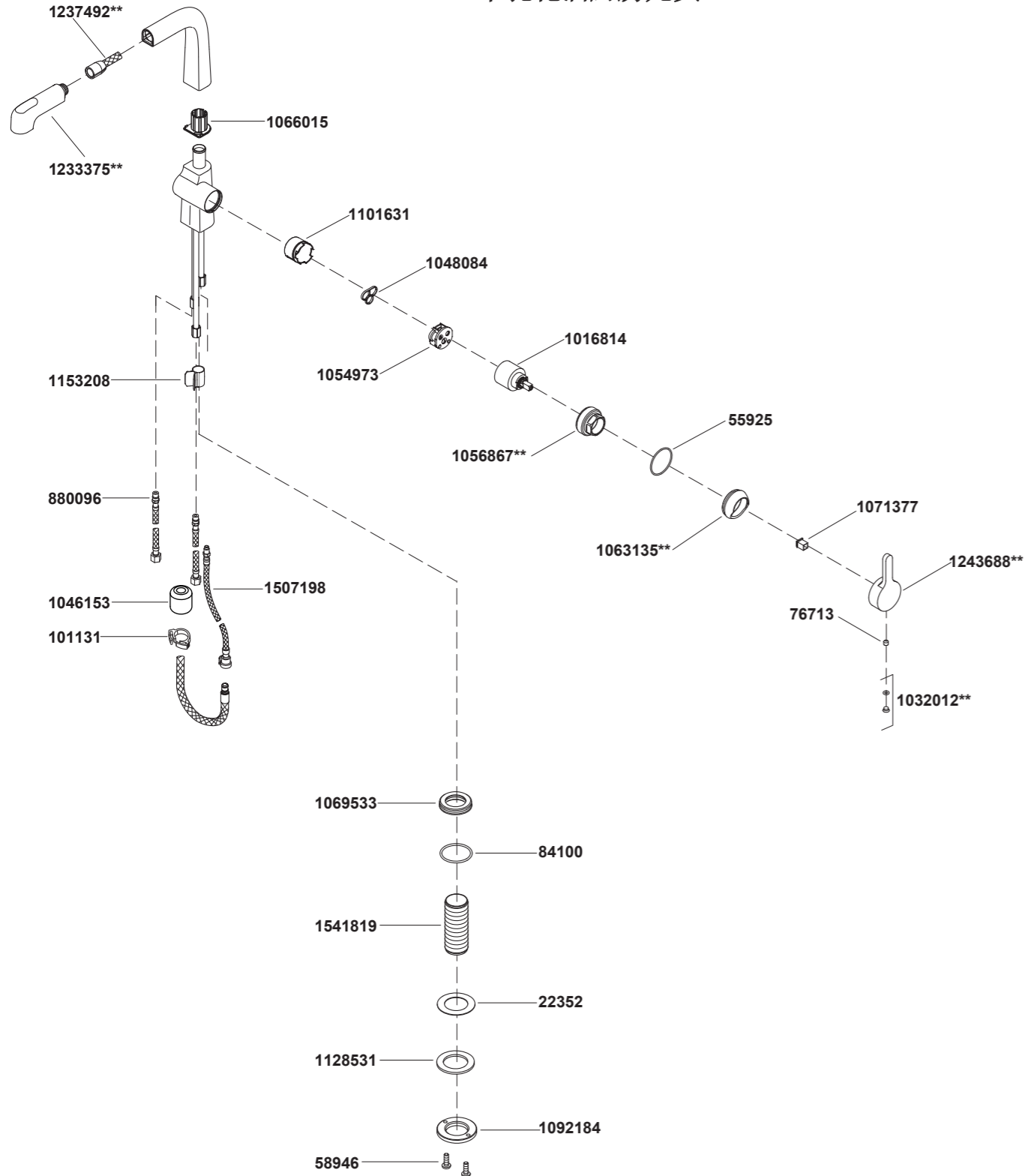


6332T-B4 单孔花洒厨房龙头



**订购时请说明颜色编号
**Color code must be specified when ordering

6332T-B4 单孔花洒厨房龙头

安装之前

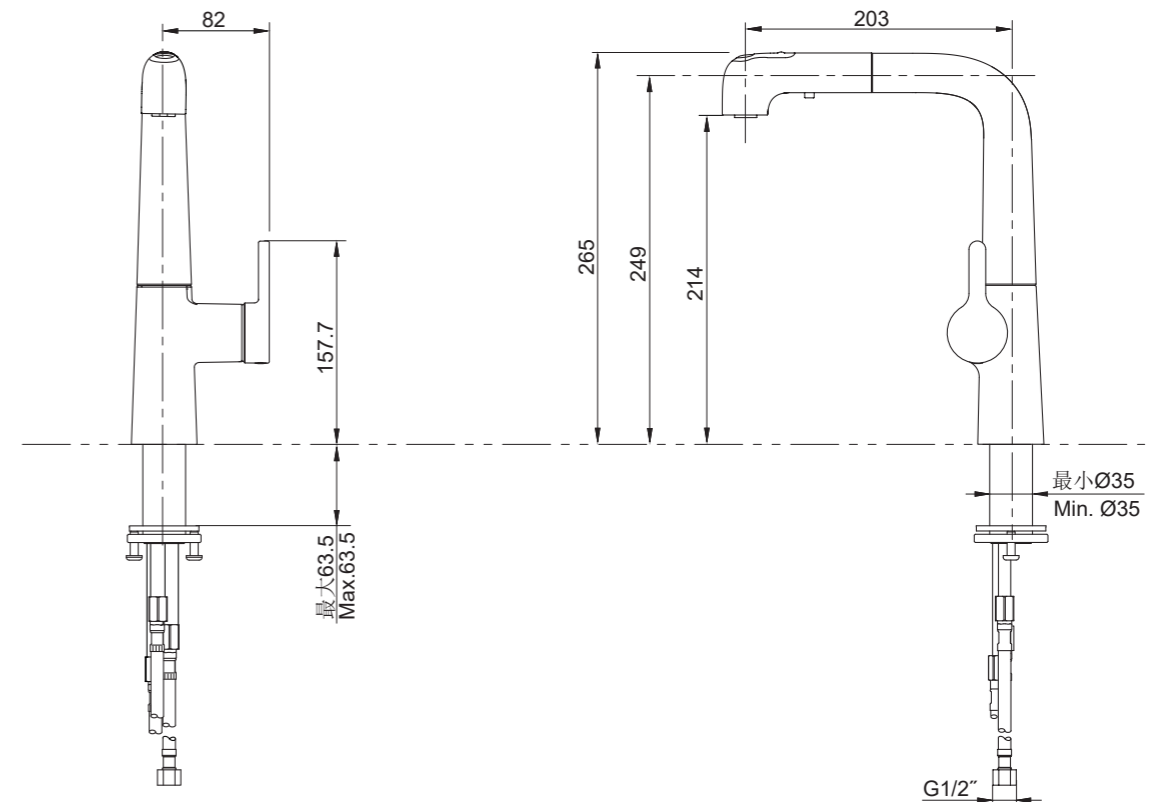
所有的资料是按最新出版的产品资料编写而成。科勒公司保留任何时候不经通知即可改变产品特性、包装或产品可供类型的权利。

说明书包括重要的安装、保养及清洁方面的内容，请把这些资料交给用户阅读。

注意事项：

1. 一定要先彻底冲洗供水管以清除管道中的杂质。
2. 如果是安装新的洗涤盆，可将龙头先装到洗涤盆上。
3. 花洒最高工作压力：0.5MPa(5bar)。水压超过0.5MPa(5bar)时必须安装减压阀。花洒最高工作温度及环境温度：60°C。请特别注意花洒同花洒连接的臂管须远离加热器，否则可能损坏花洒及其密封件，甚至对使用者造成伤害。

安装尺寸



BEFORE YOU BEGIN

All information is based on the latest product information available at the time of publication. Kohler Co. reserves the right to make changes in product characteristics, packaging, or availability at any time without notice.

Please leave these instructions for the consumer. They contain important information.

NOTES:

1. Flush the water supply pipes thoroughly to remove debris.
2. For new installations, install the faucet to sink before installing.
3. The highest working pressure for spray is 0.5MPa (5bar). If it exceeds 0.5MPa(5bar), a pressure reducer is needed. The highest water and environment temperature is 60°C. Please keep spray away from heater, or it may become damaged and cause injury to the user.

ROUGH-IN DIMENSIONS

安装步骤

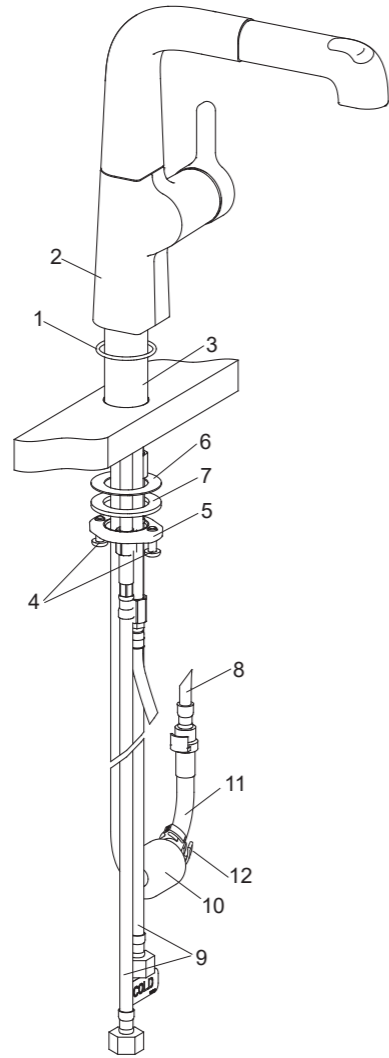
如何安装水龙头

首先，将O型圈(1)嵌入水龙头本体(2)底部的槽中。将软管及牙管(3)装入洗涤盆的安装孔中。使龙头本体的底部接触台面。

将两个螺钉(4)旋入固定环(5)。从洗涤盆下方依次把垫片(6)、金属垫片(7)及装有两个螺钉的固定环装到牙管上。调整水龙头的位置，使得软管(8)朝正前方，两进水软管(9)在左右对称的位置。锁紧两螺钉，将龙头固定在洗涤盆上。

把进水软管接到水源上，当面对龙头时，左边接冷水源，右边接热水源。

将重锤(10)和塑料夹(12)装到软管组件(11)上，调整位置使其距龙头底面距离合适。将软管组件(11)装入软管(8)内。



INSTALLATION

How to Install the Faucet

Slide the o-ring(1) into the groove of the body(2). Put the hoses and shank(3) into the mounting hole of the sink. Let the bottom of the body against the deck.

Screw two screws(4) into the threaded ring(5). From underside of the sink, place the washer(6), the metal washer(7) and threaded ring with two screws onto the shank. Position the faucet so that the hose(8) is toward the front and two hoses(9) are symmetrical. Tighten two screws to secure faucet to sink.

Attach the hoses to water supplies. When facing the front of the faucet, the left hose is cold water, the right is hot water.

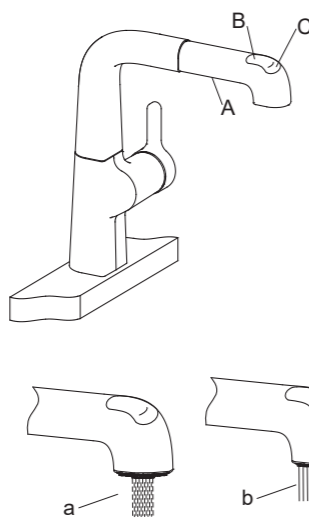
Put the weight(10) and clip(12) onto the hose assembly(11). Adjust the weight so that the distance is right from the bottom of the faucet to the weight. Insert the hose assembly(11) into the hose(8).

如何使用花洒

打开手柄，手持使用花洒时，取下花洒，并拉出软管。

按下图中(A)处，可关闭水流。按下图中(B)、(C)处，可分别得到两种水流，如图(a)、(b)所示。

注意：不要用力过猛或拉出过长，以免造成软管及接头损坏。



How to Use the Spray

Open the handle, if you want to use the spray by hand, take the spray and pull out the hose.

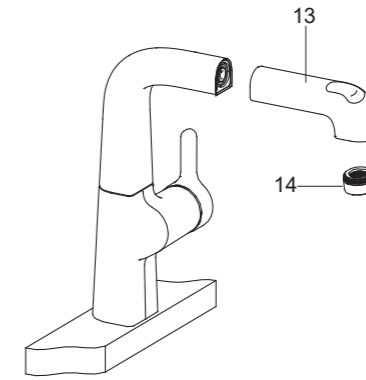
Press the button(A) as shown for the water close. Press the button(B), (C) as shown for two different forms of water flow, as figure(a), (b) shown.

NOTE: Please pull it gently and do not draw out the spray hose too long, or you may damage the hose and connector.

安装结果检查

检查并确保所有衔接处都已拧紧，确保手柄在关闭位置。打开主水源和排水系统，检查并修理有漏水的接口。

将起泡器(14)和花洒(13)拆下，让水流约一分钟以清除杂质。冲洗花洒的滤网垫片及起泡器。关闭水龙头，重新装回起泡器和花洒。



INSTALLATION CHECKOUT

Ensure that all coupling nuts are tight. Ensure that the lever handle is in the off position. Turn on the main water supply and drain, and check for leaks. Repair as needed.

Remove the aerator(14) and spray(13). Run hot and cold water about one minute to remove any debris. Remove any debris from the aerator and filter washer of the spray. Shut off the faucet. Reinstall the aerator and spray.

使用说明

将手柄轻轻提起，顺时针旋转为冷水，逆时针旋转为热水。

清洗说明

适用于所有加工处理过的表面：以中性肥皂水清洗镀层表面，再以干净的软布彻底擦干整个表面，许多清洁剂，比如氨水、去污粉及洁厕灵等，会对电镀表面造成伤害，切忌使用。

有磨损性的清洁用具或清洁剂也不可适用于科勒牌的水龙头及其配件上。

HANDLE OPERATION

Lift the handle gently. Turn clockwise for cold water, counter-clockwise for hot water.

CLEANING INSTRUCTIONS

All Finishes: Clean the finish with mild soap and warm water. Wipe entire surface completely dry with clean soft cloth. Many cleaners may contain chemicals, such as ammonia, chlorine, toilet cleaner etc. which could adversely affect the finish and are not recommended for cleaning.

Do not use abrasive cleaners or solvents on Kohler faucets and fittings.

龙头本体背面标有“LEAD FREE”字样，即产品符合美国AB1953法令的要求。

"LEAD FREE" is marked on the back of the faucet signifying its compliance with the United States AB1953.