

72290T-4 Recessed Bath Shower Trim
72291T-4 Recessed Shower Only Trim

BEFORE YOU BEGIN

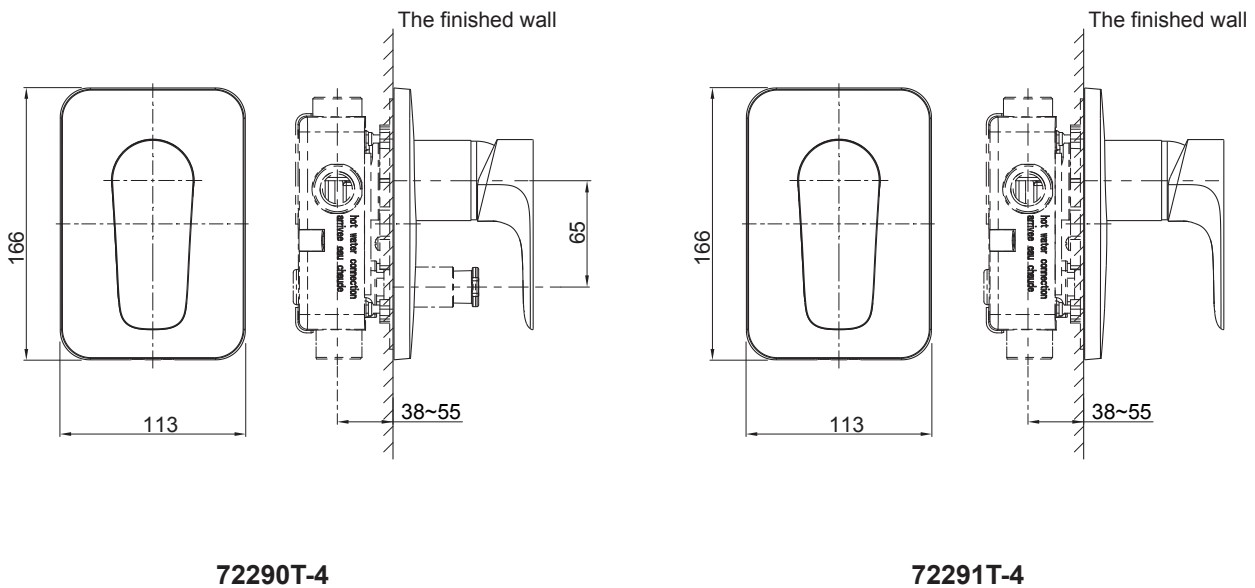
All information is based on the latest product information available at the time of publication. Kohler Co. reserves the right to make changes in product characteristics, packaging, or availability at any time without notice.

Please leave these instructions for the consumer. They contain important information.

NOTES:

1. Flush the water supply pipes thoroughly to remove debris.
2. Do not remove the plaster guard from the valve body until instructed to.
3. Install valve 882T according to the rough-in dimensions of 72290T-4, install valve 880T according to the rough-in dimensions of 72291T-4.

ROUGH-IN DIMENSIONS



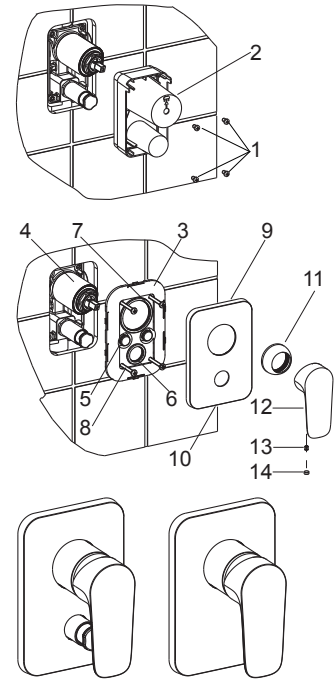
INSTALLATION

NOTE: Install valve 882T according to the rough-in dimensions of 72290T-4, Install valve 880T according to the rough-in dimensions of 72291T-4.

Loosen the screws(1), and remove the plastic guard(2) after completed the finished wall.

Slide the cover kit(3) onto the valve(4) with the plugs(5) facing outside(**NOTE:** Don't squeeze out the rings 6,7). Push it against the wall. Secure it with the screw(8). Slide the faceplate(9) onto the valve with slots(10) downwards. Push it against the wall. Screw the bonnet(11) on the valve. Install the handle(12) on the valve stem. Secure the handle by the screw(13). Press plug button(14) to the hole.

The illustration shown is the correct position of the handle in the closed position.

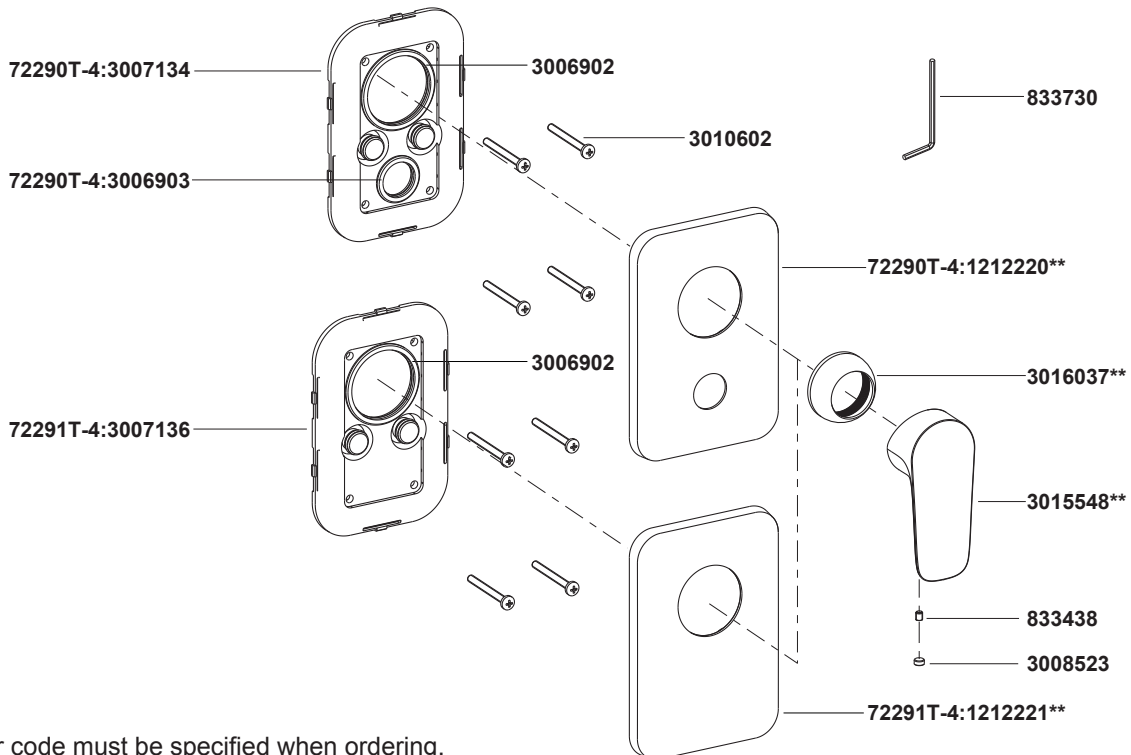


CLEANING INSTRUCTIONS

All Finishes: Clean the finish with mild soap and warm water. Wipe entire surface completely dry with clean soft cloth. Many cleaners may contain chemicals, such as ammonia, chlorine, toilet cleaner etc. which could adversely affect the finish and are not recommended for cleaning.

Do not use abrasive cleaners or solvents on Kohler faucets and fittings.

SERVICE PARTS



**Color code must be specified when ordering.

NOTE: For all Asia pacific regions (excluding China) add SP (SPxxxxxx**) in front of the part number when ordering.