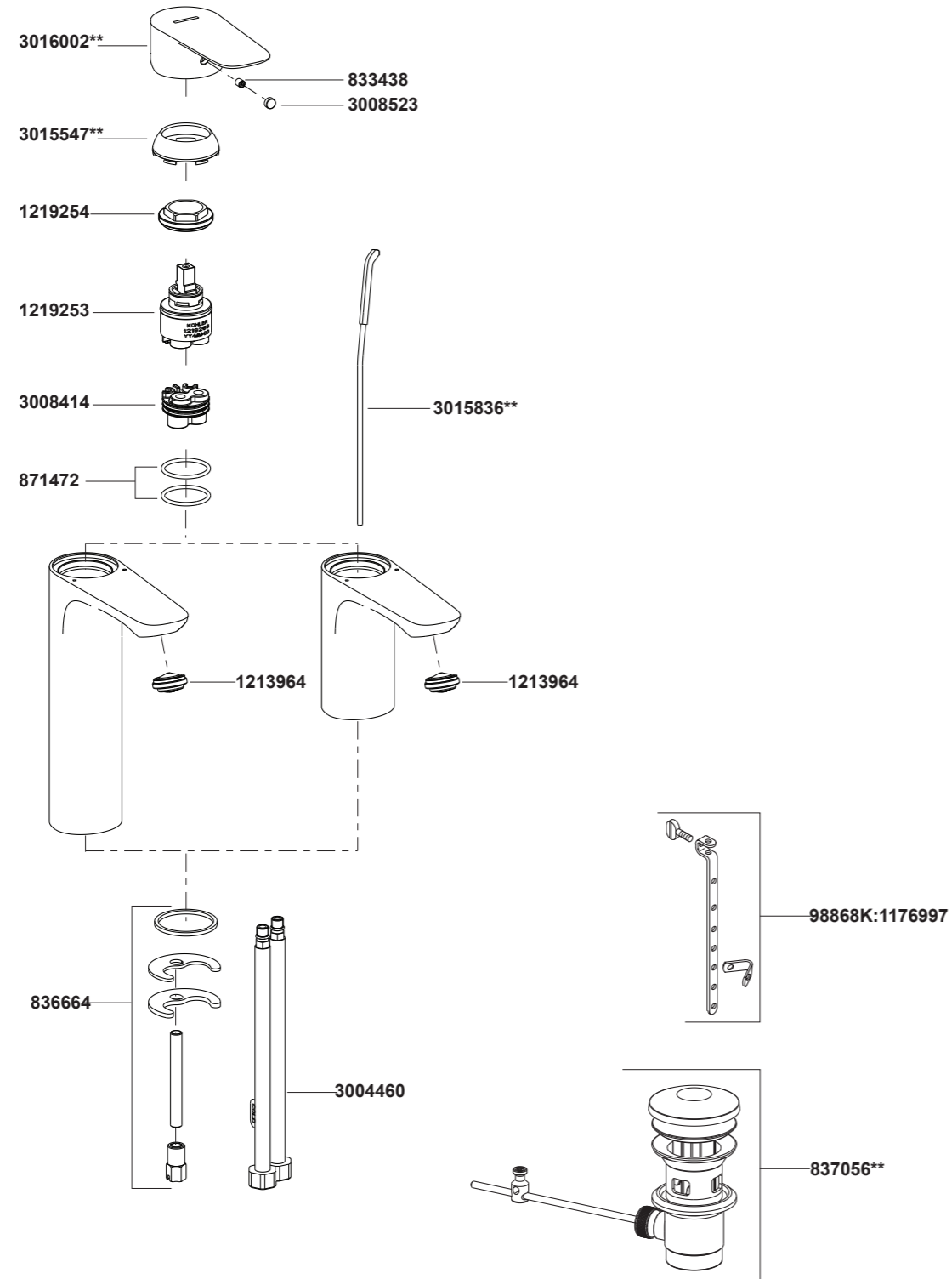


72275K-4 Single Handle Lavatory Faucet  
 98868K-4 Single Handle Tall Lavatory Faucet



\*\*Color code must be specified when ordering

72275K-4 Single Handle Lavatory Faucet  
 98868K-4 Single Handle Tall Lavatory Faucet

### BEFORE YOU BEGIN

All information is based on the latest product information available at the time of publication. Kohler Co. reserves the right to make changes in product characteristics, packaging, or availability at any time without notice.

Please leave these instructions for the consumer. They contain important information.

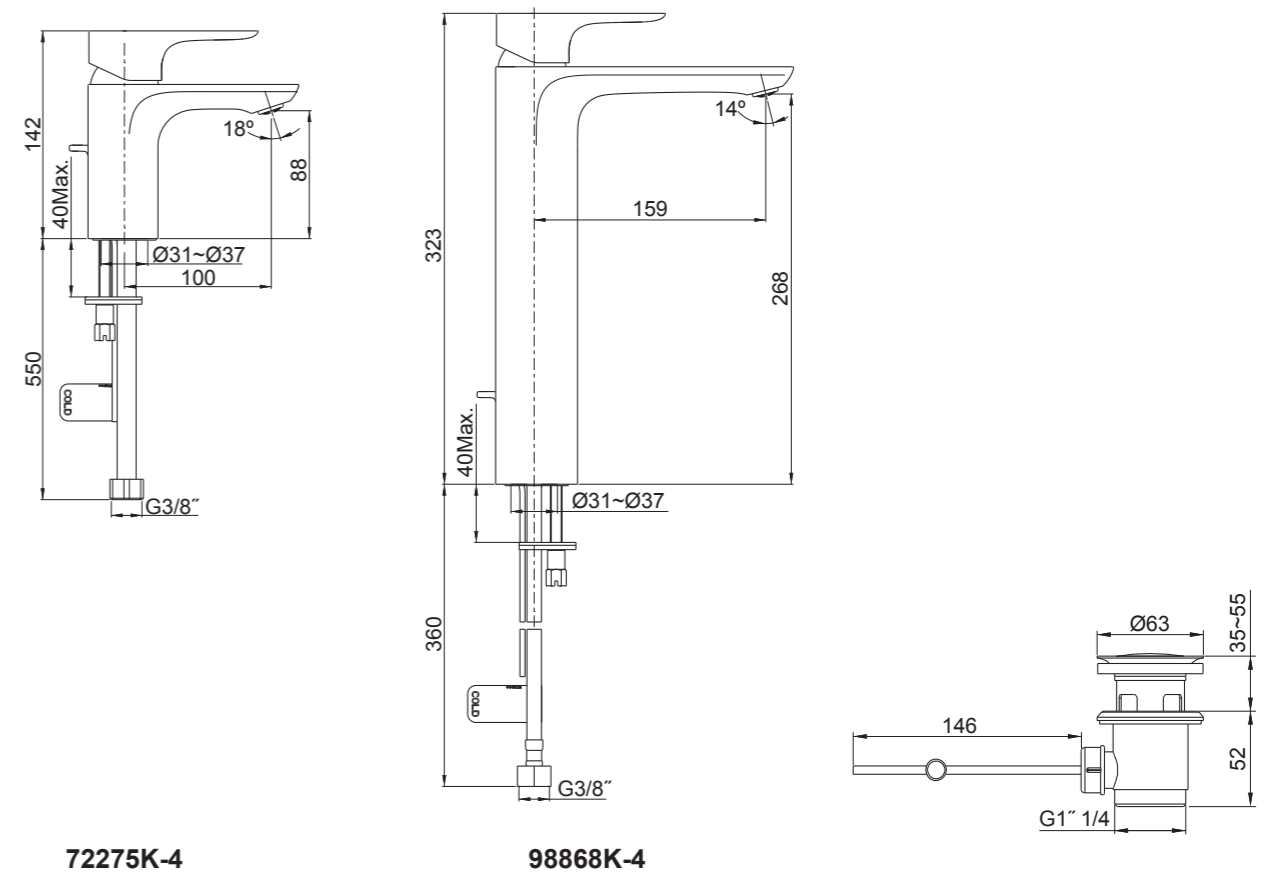
### NOTES:

1. Flush the water supply pipes thoroughly to remove debris.
2. If possible, install this faucet before installing the lavatory.
3. Inspect the supply tubing for damage and leakage. Replace and maintain as necessary.
4. Observe local plumbing codes.
5. Shut off the water supplies to the fitting.

### HANDLE OPERATION

Lift handle gently. Turn clockwise for hot water, turn counter-clockwise for cold water.

### ROUGH-IN DIMENSIONS



72275K-4

98868K-4

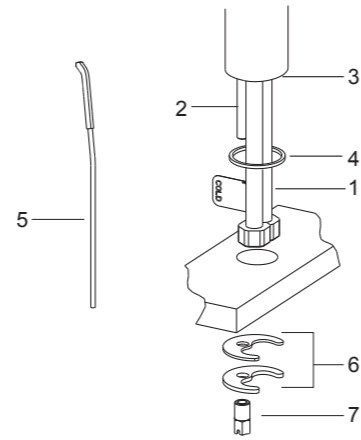
## INSTALLATION

### How to Install the Spout

Install the mounting stud(2) onto the faucet body base(3). Insert lift rod(5) to the hole at the rear of the body. Slide the washer(4) over the flexible hoses(1) and mounting stud, and into the groove at the bottom of the faucet body.

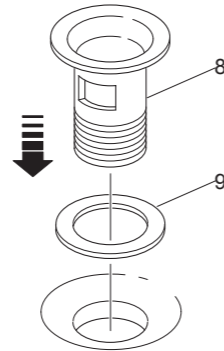
Insert the faucet assembly into the lavatory hole. Position the faucet. From underside of the lavatory, place the bracket(6, Rubber washer is on the top) onto the mounting stud, and secure the faucet with the nut(7).

Attach the hoses to water supplies. When facing front of the faucet, the left hose connects to hot water, the right hose with "COLD" label connects to cold water.

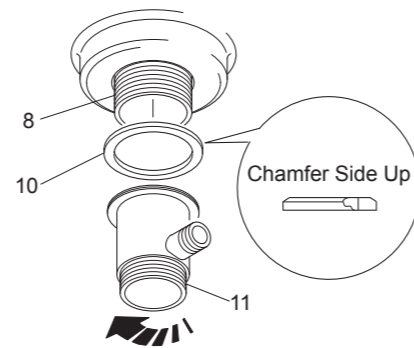


### How to Install the Drain

Install the waste(8) with foam ring(9) into the drain hole.



Install the seal(10), secure and tighten the drain body(11) to the waste by hand.



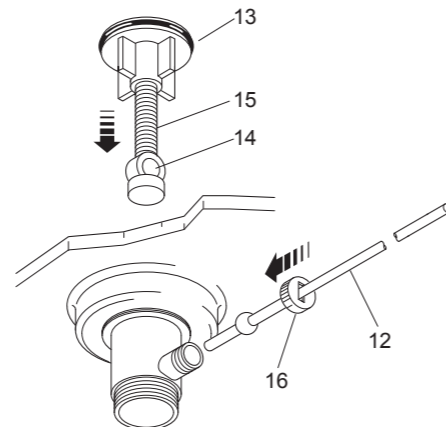
Adjust the drain body to enable the ball lever(12) and lift rod(5) to engage.

Insert the waste stopper kit(13) into the waste.

Insert the ball lever into the drain body and through the stopper hole(14).

Make sure that the ball lever engages with the waste stopper kit and adjust the waste stopper screw(15) if required.

Tighten the ball lever retaining nut(16) by hand.



### How to Install the Lift Rod Kit

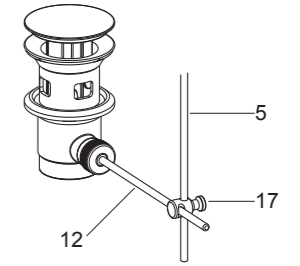
For 98868K, select the connection of the drain and the lift rod according to the dimension of lavatory.

#### For 72275K, 98868K

Way 1: Select the connector(17)

Attach the connector(17) onto the ball lever(12) and lift rod(5). Tighten the connector retaining screw with a suitable screwdriver.

Connect the drain body to the drain outlet.

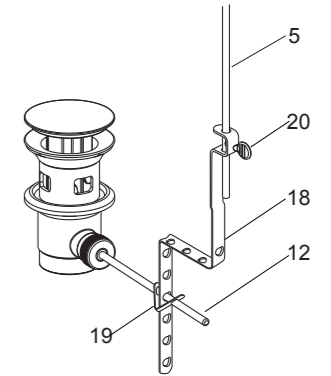


#### For 98868K

Way 2: Select the link kit(20, 18 & 19).

According to the lift rod length, bend the link(18). Connect the link onto the lever(12) with "V" clip(19). Slide the lift rod(5) into the hole on link. Push the lever down to the open position. Tighten thumb screw(20).

Connect the drain body to the drain outlet.

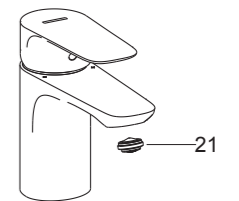


## INSTALLATION CHECKOUT

Ensure that all connections are tight. Ensure that the handle is in the off position. Turn on the drain and main water supply, and check for leaks. Repair as needed.

Remove the aerator kit(21) by coin. Turn on the faucet. Run hot and cold water through the faucet for about one minute to remove any debris.

Check for leaks. Repair as needed. Remove any debris from the aerator kit. Shut off the faucet. Reinstall the aerator kit.



## CLEANING INSTRUCTIONS

All Finishes: Clean the finish with mild soap and warm water. Wipe entire surface completely dry with clean soft cloth. Many cleaners may contain chemicals, such as ammonia, chlorine, toilet cleaner etc, which could adversely affect the finish and are not recommended for cleaning.

Do not use abrasive cleaners or solvents on Kohler faucets and fittings.