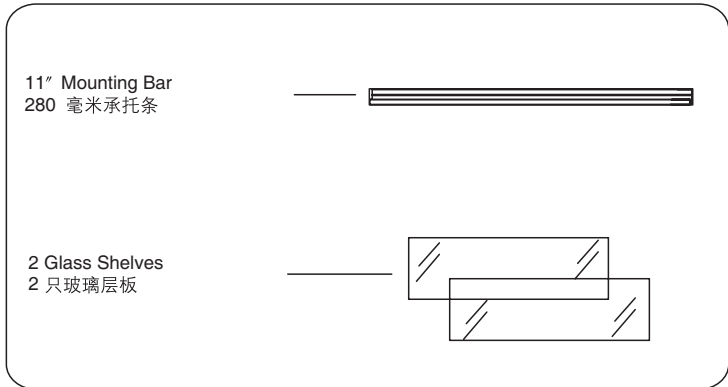
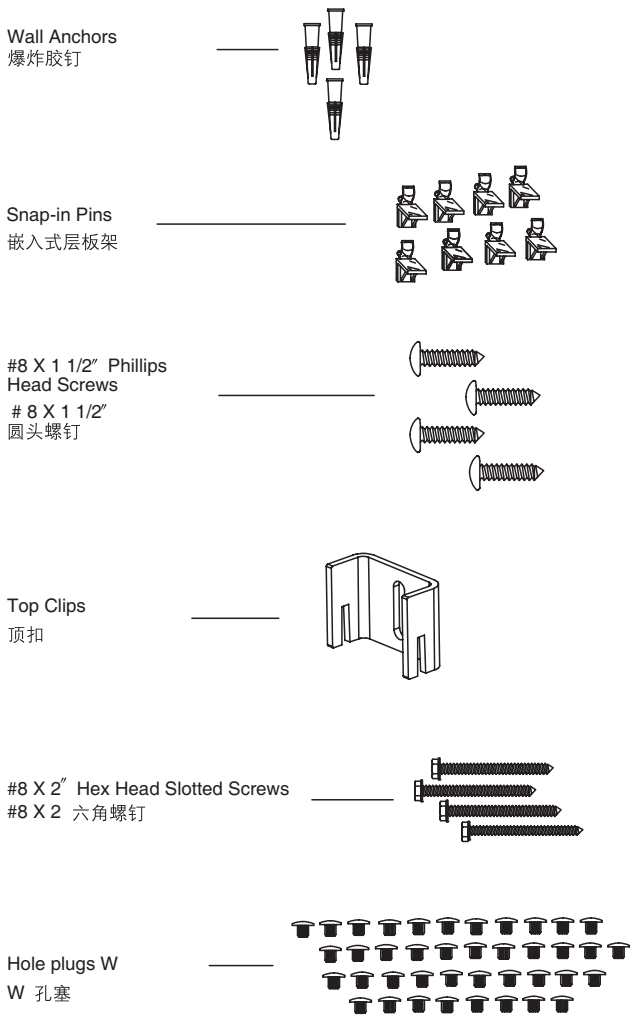
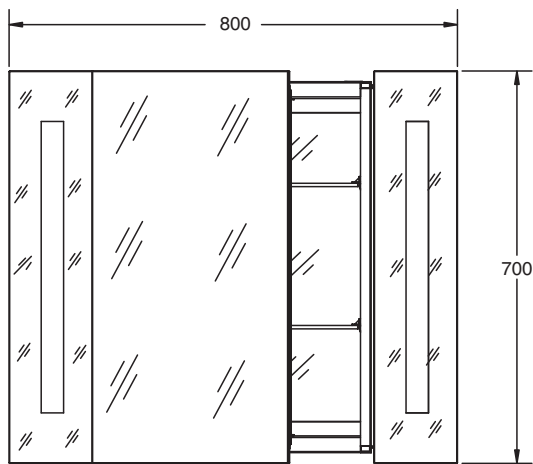


PARTS ON LEFT ARE USED WITH CABINETS.

左边所列零件适用于浴柜。



ROUGHING-IN 尺寸图



UNIT : mm
单位: 毫米

Deep(深度): 125mm

1. Remove the grey decorative lid on top of the mirror cabinet and the black junction box inside, see Fig.1.

1. 拆下镜柜顶部灰色装饰盖，以及里面黑色接线盒，见图1。

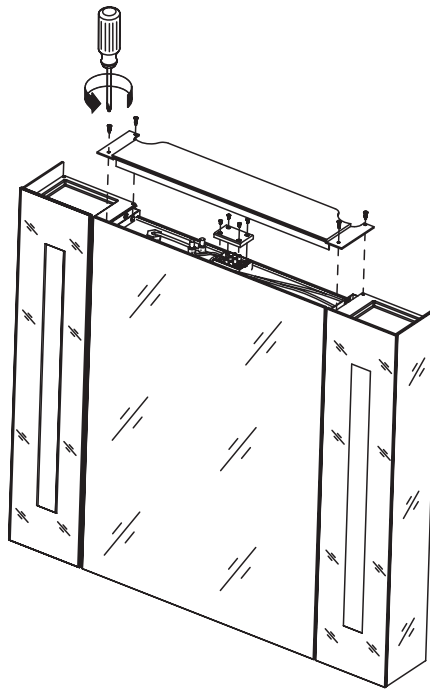


Fig. 1 图1

2. Install the cabinet

2. 浴柜的安装

A. Install Mounting Bar

A. 安装浴柜承托条

- 1) Drill two 3/16 holes in bottom mounting bar at indent location. Use the supplied anchors or locate studs if possible.

- 1) 在凹凸处打两个5毫米的孔，使用所附的爆炸胶钉。

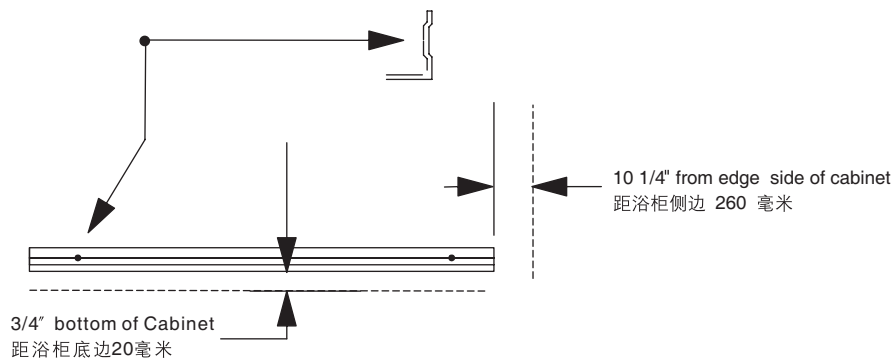


Fig. 2 图2

- 2) Drill 1/4" hole in wall for mounting bar anchors at locations shown in Fig.2. (If you do not use the anchor, drill a 3/32 pilot hole.) After the holes are drilled, fit the mounting bar onto the wall, refer to Fig.2 for measurements, and Fig.5 for information on anchor cinching.

- 2) 如图2承托条所示位置在墙壁上钻7毫米的孔再上爆炸胶钉 (如果您不用爆炸胶钉，钻2毫米大小的孔。) 钻好孔后，参照图2的尺寸装好浴柜承托条，并按图5旋紧螺丝。

B. Install Top Clips

Take out the top mount clip, wall anchor and hex head screw ready for installation. See Fig.3.

- 1) Fit cabinet into position on mounting bar as shown in Fig.4A.
- 2) Place clip in position as shown in Fig.4B and mark with a pencil. Remove clip and cabinet and drill the pilot or anchor holes where marked.
- 3) Fix both the clips into position with a screw, and slide the clip into the up position. Sit the cabinet on the mounting bar, then lower and tighten the screws into place, as shown in Fig 4C.
- 4) See Fig.5 on next page for proper turns required for anchor cinching.

B. 安装顶扣

取出顶扣，爆炸胶钉，六角螺丝，准备安装。见图3。

- 1) 如图4A所示将浴柜上到承托条上。
- 2) 按图4B所示放好顶扣固定位，再用铅笔划线。放开顶扣按划线位置钻孔。
- 3) 如图4C所示，用螺丝将两粒顶扣固定，并移到上方位。将浴柜放于承托条上，然后放下顶扣，打紧螺丝。
- 4) 按图5要求旋紧螺丝。

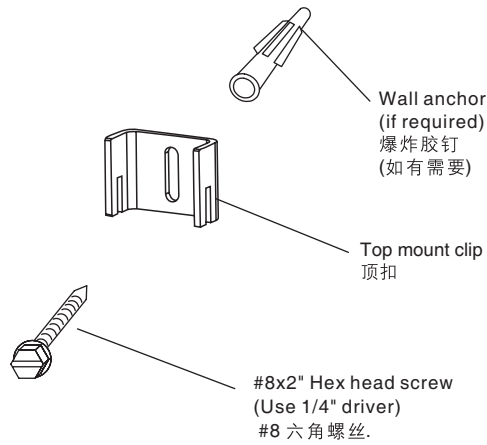


Fig. 3 图3

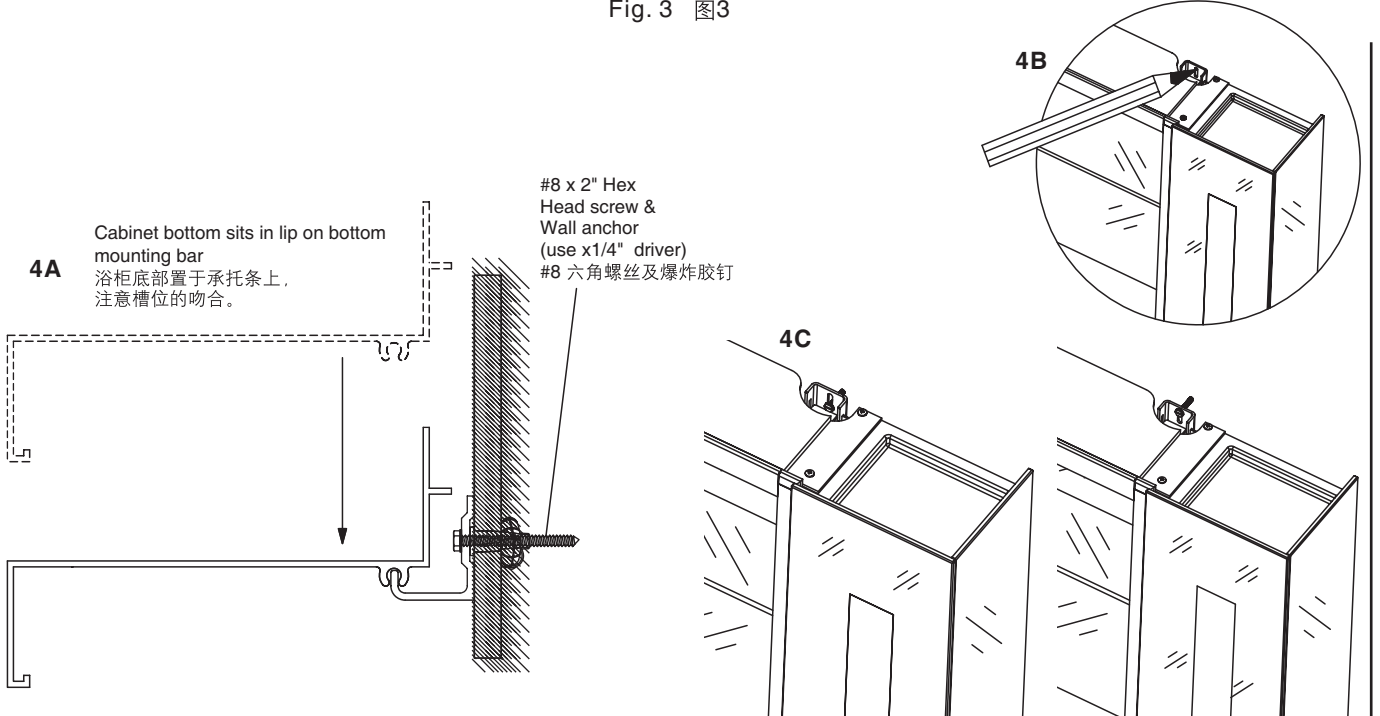


Fig. 4 图4

Once Screw is bottomed out on mount clip, turn screw and additional 5 to 7 turns to fully expand the anchor.

螺丝固定顶扣打到底后，请将螺丝再旋5至7转以确保爆炸钉完全胀开。

Side view at top of cabinet

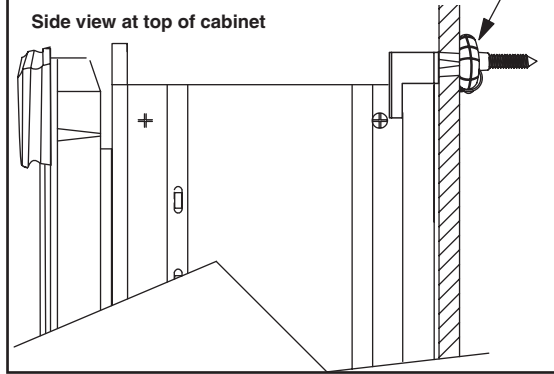


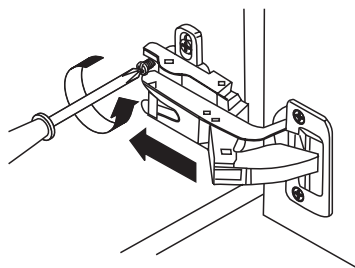
Fig. 5 图5

3. Door adjustments

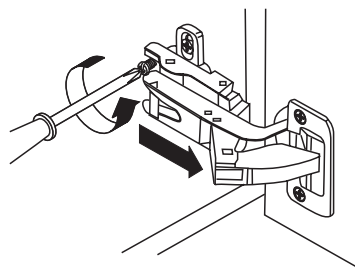
3. 门的拆装及调整

Adjust the hinge of door in 3 directions to make sure the door level as shown in Fig.6.

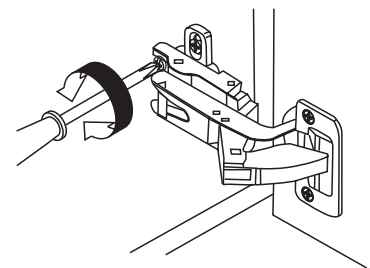
门板的拆装，及三向调节见图6。



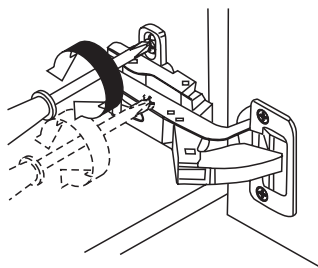
Assemble
安装



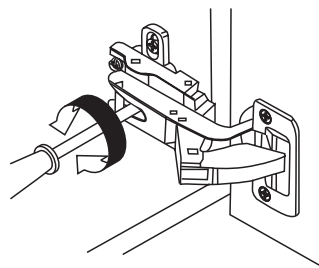
Removal
拆卸



Depth Adjustment
深度调节



Height Adjustment
高度调节



Side Adjustment
左右调节

Fig. 6 图6

4. Connect the power wire according to the marks on the junction box, see Fig.7.
Cap the junction box, arrange the wire and then cap the grey decorative lid, see Fig.8.

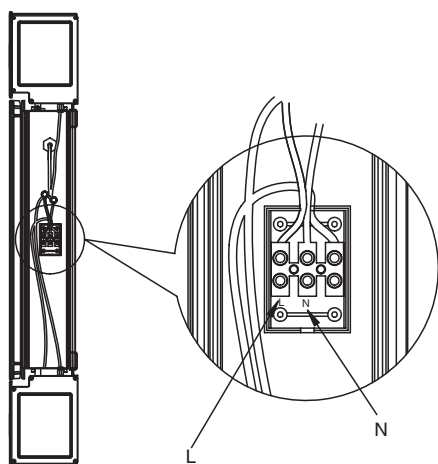


Fig. 7 图7

4. 按接线盒上的标识接电源线，见图7。
盖上接线盒，把电线整理好，最后盖上灰色装饰盖，见图8。

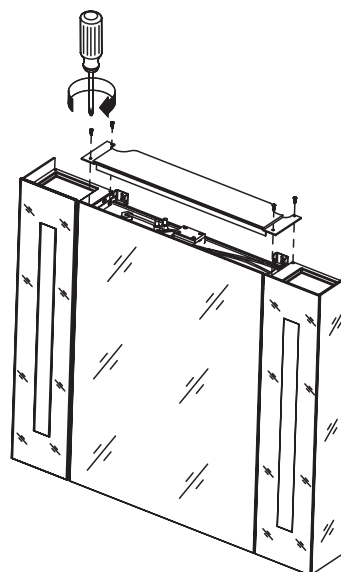


Fig. 8 图8

5. Installing the shelves- see Fig.10

A. Push/twist the pins into place, see Fig.9.

- 1) Push one side of the shelf into the left or right clips
- 2) Snap the shelf down into the opposite side. If the shelf is too tight, repeat the process from the other side.

B. Fill the remaining holes with the plugs. See ② in Fig.10.

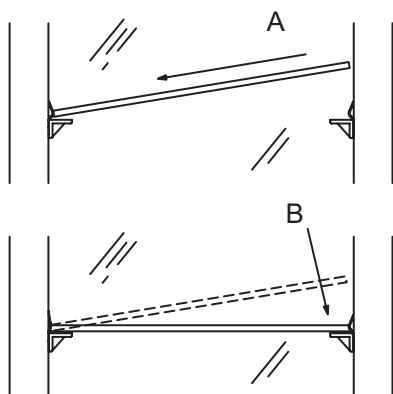


Fig. 9 图9

5. 安装玻璃层板-见图10

A. 装层板支架，见图9。

- 1) 将层板玻璃任一端放于架子上。
- 2) 将玻璃层板的另一端压下。如玻璃层板太紧，改从另一端开始再来一次。

B. 其他多余的孔位用孔塞塞好。见图10里的②。

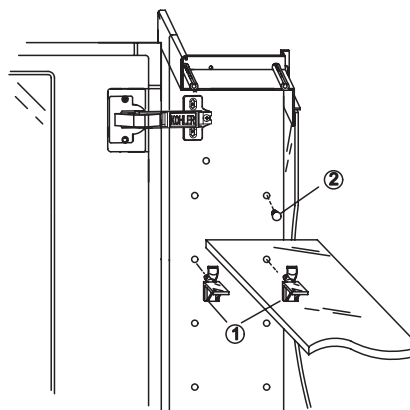


Fig.10 图10

6. Replace the tube, see Fig. 11. Please ask professionals to do it.

The tube for replacement can be purchased from the customer service department (see Service Parts Page for specific part number). You can also choose to purchase the T5 tube with the diameter of 16mm and length of 563.2mm. from the market for replacement.

- A. Remove the screws from the lid of the light box.
- B. Unscrew the tube from the socket (it is done when a "click" sound is heard). It is the same when the new tube is fixed.
- C. Fix the lid of the light box.

6. 灯管的更换，见图11，请专业安装人员来更换。

灯管的补换可以向客服部门购买索取(型号见维修部件图)，也可以在市场上购买直径16mm，长度563.2mm的T5灯管来更换。

- A. 拆下灯箱盖板上的螺丝。
- B. 把灯管从固定座上拧下，以听到咔嚓声为准，同样把新的灯管固定上。
- C. 固定好灯箱上的盖板。

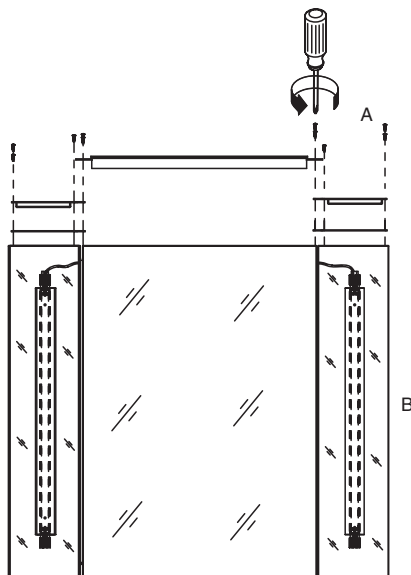


Fig.11 图11