

如何使用无线迷你音箱(仅用于98963T)

How To Operate The Wireless Speaker (Only For 98963T)

警告! 切勿将电池暴露在阳光、火源或其它过热环境中。

WARNING: Risk of property damage. Do not expose batteries to sunlight, fire, or other forms of excessive heat.

注意! 切勿将无线扬声器浸入水中。

CAUTION: Risk of product damage. Do not submerge the wireless speaker.

注意! 无线迷你音箱和电池的工作温度最高为140°F (60°C)。请勿接近热源或安装在温度超过140°F (60°C) 的地方。

CAUTION: Risk of product damage. The wireless speaker and battery are rated to operate in temperatures up to 140°F(60°C). Do not expose to heat sources or install in any location where the temperature may exceed 140°F(60°C).

●这款无线迷你音响符合FCC, IC, SRRC和CE标准;

● This wireless speaker complies with FCC, IC, SRRC and CE.

●您的电子设备需要有蓝牙装置, 才能连接迷你音箱并播放您的个人音乐;

● To play your personal music files, you need a wireless BLUETOOTH® device.

●设备符合IPX4防水等级;

● This device is rated to IPX4.

 请根据当地规范进行妥善处置。

 Check local regulations for proper disposal.

BLUETOOTH®字符和图标为蓝牙技术联盟的注册商标, 科勒公司使用此类标志均为授权使用。其它商标和商品牌号均为其各自供应商所有。

The BLUETOOTH® word mark and logos are registered trademarks owned by Bluetooth SIG, Inc. and any use of such marks by Kohler Co. is under license. Other trademarks and trade names are those of their respective owners.

●在用无线迷你音响之前, 须先将音乐设备调整至中档音量。

● Set your music device to a midrange volume before connecting to the wireless speaker.

●按住电源开关1秒, 即可打开或关闭无线迷你音响。

● Press the power button for 1 second to power the wireless speaker ON or OFF.

●蓝灯闪烁指示正在进行蓝牙配对。

● The light will blink blue to indicate pairing mode.

●在与蓝牙配对时, 如果提示需要密码时, 请输入“0000”。当连接成功, 指示灯变为蓝色。

● Pair with your BLUETOOTH® device. If a password is required, enter “0000”. The light will turn solid blue when connected.

注意: 如果蓝牙配对失败或断开连接, 无线迷你音响将在90秒后关闭。

NOTE: If pairing is lost, the wireless speaker will power OFF after 90 seconds.

●使用USB电缆线连接至设备进行充电。

● Use the USB cable provided to recharge.

指示灯状态—操作模式

- 蓝灯闪烁—蓝牙搜索配对模式;
- 蓝灯长亮—已连接至蓝牙设备;
- 蓝灯红灯交替闪烁—已连接至蓝牙设备。电池电量低。

LED Status---Operating Mode

- Blue blink---BLUETOOTH pairing mode.
- Blue---Connected to a BLUETOOTH device.
- Blue/red blink---Connected to a BLUETOOTH device. Battery is low.

指示灯状态—充电模式

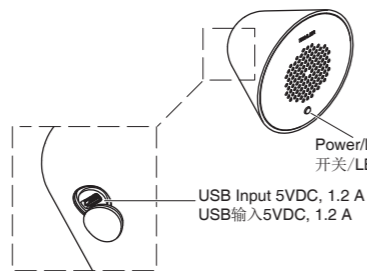
- 红灯闪烁—电池正在充电;
- 红灯长亮—电池充电完成。

LED Status---Charging Mode

- Red blink---Battery is charging.
- Red---Battery recharge is complete.

更多关于该音乐魔雨无线迷你音箱的详细信息, 请您登录 www.kohler.com.cn 网站查询。

For troubleshooting information, refer to homeowners Guide on your product detail page at www.kohler.com.cn.



KOHLER®

INSTALLATION INSTRUCTIONS

安装说明书

奥帝安
DEON

Dual Shower Column

98963T-4 双花洒淋浴柱-5"音乐魔雨花洒
72704T-B4 挂墙式浴缸双花洒直角淋浴柱

安装之前

BEFORE YOU BEGIN

所有的资料是按最新出版的产品资料编写而成。科勒公司保留任何时候不经通知即可改变产品特性、包装或产品可供类型的权利。

All information is based on the latest product information available at the time of publication. Kohler Co. reserves the right to make changes in product characteristics, packaging, or availability at any time without notice.

说明书包括重要的安装、保养及清洁方面的内容, 请把这些资料交给用户阅读。

Please leave these instructions for the consumer. They contain important information.

注意事项:

1. 切断供水管路。
2. 检查供水管路有无损坏。如需要, 进行替换。
3. 遵守当地管路安装条例。
4. 切换器正常工作的最小压力为: 0.05MPa(0.5bar)。
5. 推荐最小工作压力: 0.1MPa(1bar)。

NOTES:

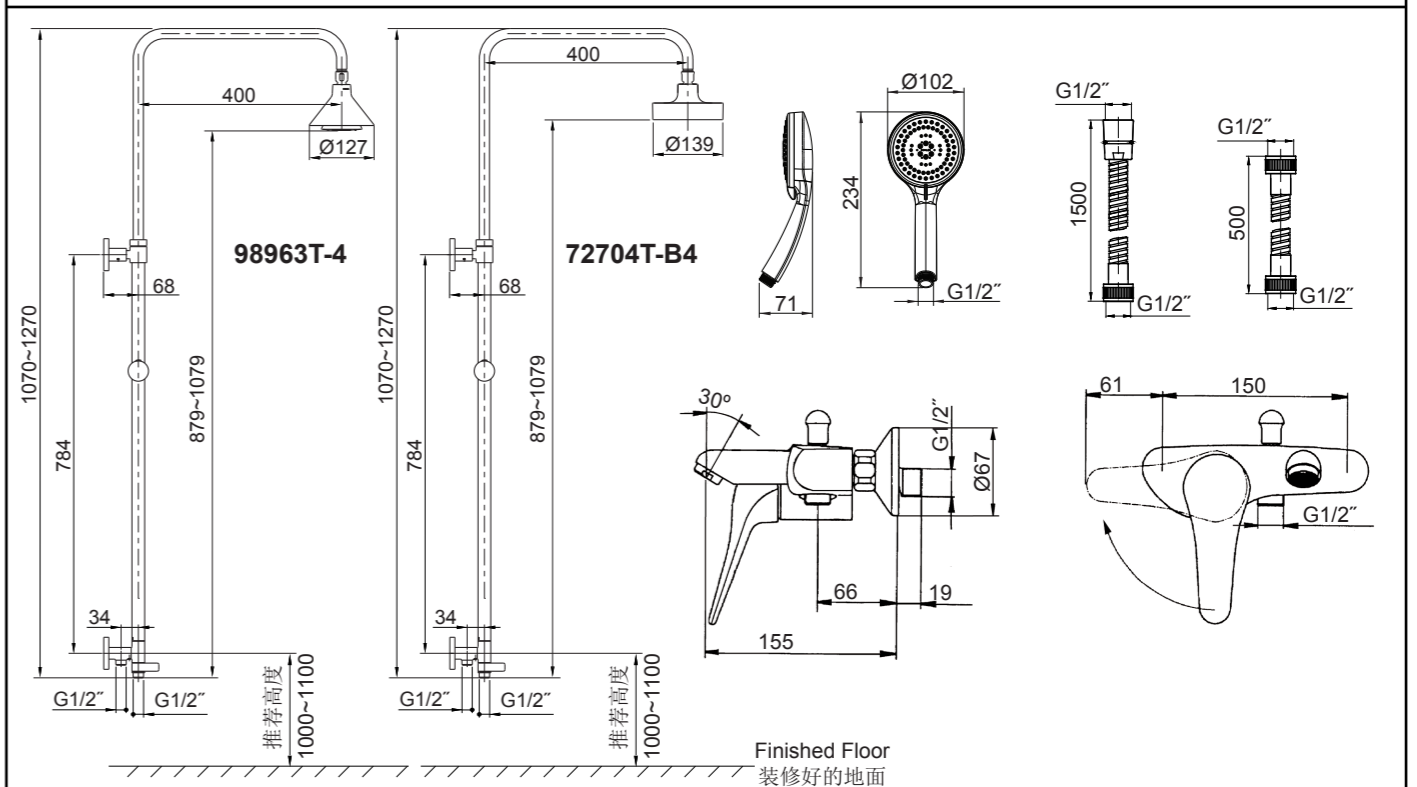
1. Shut off the water supplies to the fitting.
2. Inspect the supply tubing for damage. Replace as necessary.
3. Observe local plumbing codes.
4. The minimum inlet water pressure for diverter is 0.05MPa(0.5bar).
5. Recommended minimum working pressures is 0.1MPa (1bar).

6. 花洒最高工作压力: 0.5MPa(5bar)。水压超过0.5MPa (5bar) 须安装减压阀。花洒及无线迷你音箱, 电池最高工作温度及环境温度: 60°C。请特别注意无线迷你音箱, 电池, 花洒同花洒连接的臂管须远离加热器, 否则可能损坏花洒及其密封件, 甚至对使用者造成伤害。

6. The highest working pressure for showerhead & hand shower is 0.5MPa(5bar). If it exceeds 0.5MPa(5bar), a pressure reducer is needed. The highest water and environment temperature is 60°C. Please keep wireless speaker, battery, handshower, showerhead and the shower arm away from heater, or it may become damaged and cause injury to the user.

安装尺寸

ROUGH-IN DIMENSIONS



安装步骤

如何安装水龙头

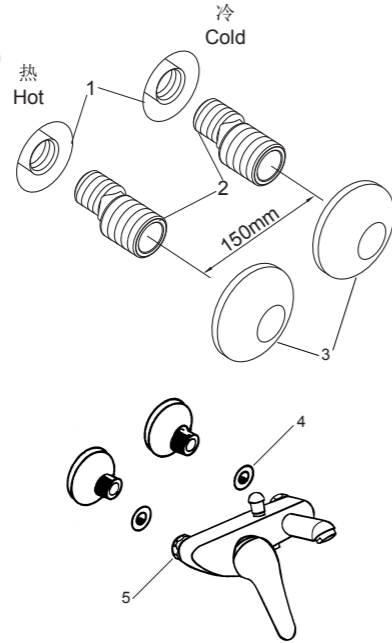
为使安装顺利，G1/2"内螺纹管道配件(1)应已安装好。预留150mm的间距，保持水平，管道配件要垂直并不能凸出装修好的墙面。热供水管装在左边。

彻底冲洗供水管，以清除管路中的杂质。

在两个接头(2)涂上螺纹密封胶或缠绕足以密封的密封胶带，旋入冷热水管中。

调节两个接头，使其中心距离为150mm，并保持同一水平。将装饰盖(3)旋入接头，紧贴墙壁。

将垫片(4)放入水龙头螺母(5)中，将螺母旋到接头上。用带状扳手或用软布垫在普通扳手和螺母之间，锁紧螺母。



INSTALLATION

How to Install the Faucet

To perform installation, installer must provide G1/2" female supply fittings(1), spaced 150mm apart and level. The supply fittings should be vertical and not beyond the finished wall. Hot supply pipe must be located on the left.

Flush the water supply pipes thoroughly to remove debris.

Install the two offset connectors(2) into the hot and cold supply pipes. Use appropriate thread sealants or thread tape on pipe threads.

Adjust the center-to-center distance between the connectors to 150mm and level. Thread the escutcheons(3) onto the connectors until they are against the finished wall.

Put the washers(4) into the nuts(5), thread the nuts to connectors. Tighten the nuts with strap wrench or soft cloth between product and regular wrench.

如何安装淋浴杆

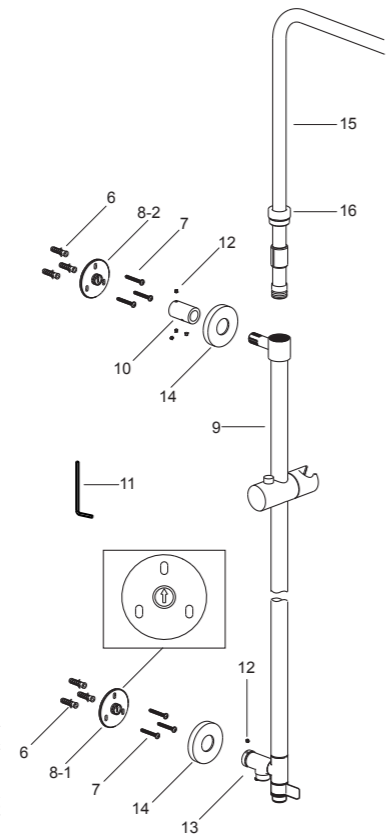
根据安装尺寸，在垂直面的墙壁选一合适的位置来安装淋浴柱。

根据胀塞(6)的直径和下底座(8-1)的安装位置在垂直墙壁上钻孔(注意：底座上的箭头朝上)。将胀塞塞入孔中，用螺钉(7)固定下底座。

试装滑杆组件(9)，以确定上底座(8-2)的安装位置。将接管(10)套在滑杆组件接头上，并与底座连接(注意：底座上的箭头朝上)。将螺钉(12)装入接管，并用六角扳手(11)锁紧。

将滑杆组件紧贴墙壁放置。连接下底座与切换阀(13)组件，并用螺钉固定。调整好滑杆及各组件朝向，用铅笔标记上方底座(8-2)孔位。分别拆下滑杆组件和接管。(注意：切勿弄丢螺钉。)

根据胀塞直径在标记处钻孔。将胀塞塞入孔中，并用螺钉固定上底座(8-2)。将接管(10)装入到底座(8-2)中，并锁紧螺钉。将滑杆组件连同装饰罩(14)装在上下底座上。用六角扳手将滑杆与接管，切换阀与下底座的螺钉旋入并锁紧。将装饰罩后推与底座旋紧直至接触墙面。



How to Install the Column

Select a location in vertical wall to install shower column according to rough-in dimensions.

Drill the lower hole as anchors(6) diameter and lower base(8-1) position in the finished wall(NOTE: The arrow in the base is upward). Press anchors into the hole, secure the base by the screw(7).

Rehearse the slide bar kit(9) installation for the upper base(8-2) mounting location determination. Slide the tube joint(10) onto the slide bar kit, and connect them to the base(NOTE: The arrow in the base is upward). Install the screws(12) into the tube joint with the hex wrench(11), and tighten them.

Place the slide bar and the body against the finished wall. Connect the lower base and the diverter body kit(13). Position and tighten them by hex wrench. Mark the hole of upper base(8-2) with a pencil. Uninstall the slide bar kit and tube joint.(NOTE: Don't lose the screws.)

Drill holes on the mark. Press the anchors into the holes. Secure the upper base(8-2) by the screws. Install the tube joint(10) to the base(8-2) and tighten them by screws. Reinstall the slide bar kit with escutcheons(14) to the bases. Tighten the screws with the hex wrench. Screw the escutcheons with the bases until against the finished wall.

将弯管组件(15)装入滑杆组件。用软布垫在螺母(16)的里孔和弯管组件之间，将螺母套入弯管组件。然后用带状扳手或用软布垫在普通扳手和螺母之间，将螺母旋紧到滑杆组件上。

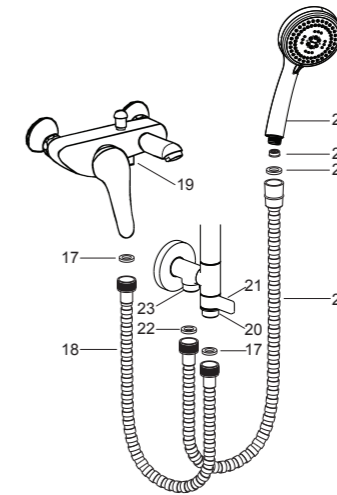
Install the tube kit(15) into the slide bar kit. Install the nut(16) onto the tube kit with soft cloth between internal hole of the nut and the tube kit. Then screw the nut onto the slide bar kit with strap wrench or soft cloth between the nut and regular wrench.

如何安装手持花洒和软管

用两垫片(17)将500mm软管(18)分别与出水口(19)及接头(20)连接。

转动切换器手柄(21)，打开水源以冲掉杂质。

用滤网垫片(22)连接接头(23)与1500mm软管(24)。根据需要将限流器(25)塞入手持花洒(26)进水口。用滤网垫片(22)连接软管与手持花洒。



How to Install the Handspray and the Hose

Tighten 500mm length hose(18) to the outlet(19) and the connector(20) with two washers(17).

Turn the diverter handle(21), run hot and cold water for about one minute to remove any debris.

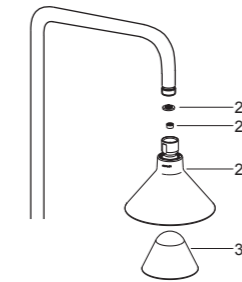
Tighten 1500mm length hose(24) to the connector(23) with filter washers(22). Put the regulator(25) into the handspray(26) inlet if needed. Tighten the hose to the handspray with the filter washer(22).

如何安装头顶花洒

装头顶花洒(27)之前，转动切换器，打开水源冲掉管路中的杂质。

根据需要将限流器(28)塞入头顶花洒进水口。用垫片(29)连接弯管组件出水口及头顶花洒，并用带状扳手锁紧花洒。

对于98963T，将音乐魔雨无线迷你音箱(30)轻轻放入花洒内。



How to Install the Showerhead

Turn the diverter handle, run hot and cold water for one minute to remove any debris before the showerhead(27) is installed.

Put the regulator(28) into the showerhead inlet if needed. Connect the showerhead to the tube kit outlet with the washer(29), and tighten the showerhead with strap wrench.

For 98963T, put the moxie wireless speaker(30) gently into the showerhead.

使用说明

如何使用水龙头

轻轻抬起把手打开龙头。把手朝下为冷水，顺时针转动把手为热水。龙头切换器处于正常位置时出水口出水，提起切换器切换至双花洒淋浴柱出水。

淋浴柱的切换把手向右转靠近墙面，手持花洒出水；把手向左转垂直墙面，头顶花洒出水。

OPERATION INSTRUCTIONS

How to Operate the Faucet

Lift the handle slightly to turn on the faucet. Handle downwards for cold water, turn counter-clockwise for hot water. Water flows out from spout when faucet diverter is in the normal position and it's diverted to shower column when the diverter knob is lifted.

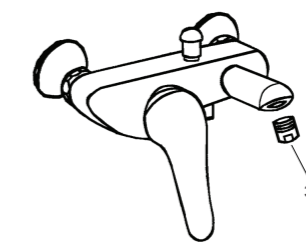
Turn the diverter handle right to close to the wall, water will flow from the handspray; turn it vertically to the wall, the showerhead will work.

安装结果检查

检查并确保所有衔接处都已拧紧，确保手柄在关的位置。

打开排水系统和主要供水源，检查并修理有漏水的接口。

将起泡器组件(31)拆下，打开水龙头的冷热水，让水流约一分钟以清除杂质。冲洗起泡器，关闭水龙头，重新装回起泡器。



INSTALLATION CHECKOUT

Ensure that all connections are tight. Ensure that the handle is in the off position.

Turn on the drain and main water supply, and check for leaks. Repair as needed.

Remove the aerator assembly(31). Run hot and cold water through spout about one minute to remove any debris. Clean the aerator assembly. Shut off the faucet. Reinstall the aerator assembly.

清洗说明

CLEANING INSTRUCTIONS

适用于所有加工处理过的表面：以中性肥皂水清洗镀层表面，再以干净的软布彻底擦干整个表面，许多清洁剂，比如氨水、去污粉及洁厕灵等，会对电镀表面造成伤害，切忌使用。

All Finishes: Clean the finish with mild soap and warm water. Wipe entire surface completely dry with clean soft cloth. Many cleaners may contain chemicals, such as ammonia, chlorine, toilet cleaner etc. which could adversely affect the finish and are not recommended for cleaning.

有磨损性的清洁用具或清洁剂也不可适用于科勒牌的水龙头及其配件上。

Do not use abrasive cleaners or solvents on Kohler faucets and fittings.

有害物质统计表 - 98963T

部件名称	有害物质名称					
	铅 (Pb)	汞 (Hg)	镉 (Cd)	六价铬 (Cr(VI))	多溴联苯 (PBB)	多溴二苯醚 (PBDE)
龙头组件	×	○	○	○	○	○
淋浴柱组件	×	○	○	○	○	○
头顶花洒组件	×	○	○	○	○	○
手持花洒组件	○	○	○	○	○	○
发声组件	×	○	○	○	○	○

○：表示该有害物质在该部件所有均质材料中的含量均在GB/T 26572现行有效版本规定的限量要求以下。

×：表示有害物质至少在该部件的某一均质材料中的含量超出GB/T 26572现行有效版本规定的限量要求。

注：本表格提供的信息是基于供应商提供的数据及科勒公司的检测结果。

本产品应用环保设计理念，在当前技术水平下，所有有害物质的使用已经控制到了最低程度，科勒公司会继续努力通过改善现有技术来减少这些物质的使用。



本产品的“环保使用期限”为10年，科勒公司根据产品设计特性指定该期限。只有在本产品使用说明书所述的正常情况下使用本产品时，“环保使用期限”才有效。

Statistics of Contents of Toxic or Hazardous Substances or Elements - 98963T

Part name	Toxic or Hazardous Substance or Elements					
	Lead (Pb)	Mercury (Hg)	Cadmium (Cd)	Hexavalent Chromium (Cr(VI))	Polybrominated biphenyls (PBB)	Polybrominated Diphenyl Ethers (PBDE)
Faucet Assy	×	○	○	○	○	○
Column Assy	×	○	○	○	○	○
Showerhead Assy	×	○	○	○	○	○
Handshower Assy	○	○	○	○	○	○
Sounder Assy	×	○	○	○	○	○

○：Indicates that the substance in the material composition is below the high limits of the current requirements in GB/T 26572.

×：Indicates that at least one of the homogeneous substance in the material composition is below the high limits of the current requirements in GB/T 26572.

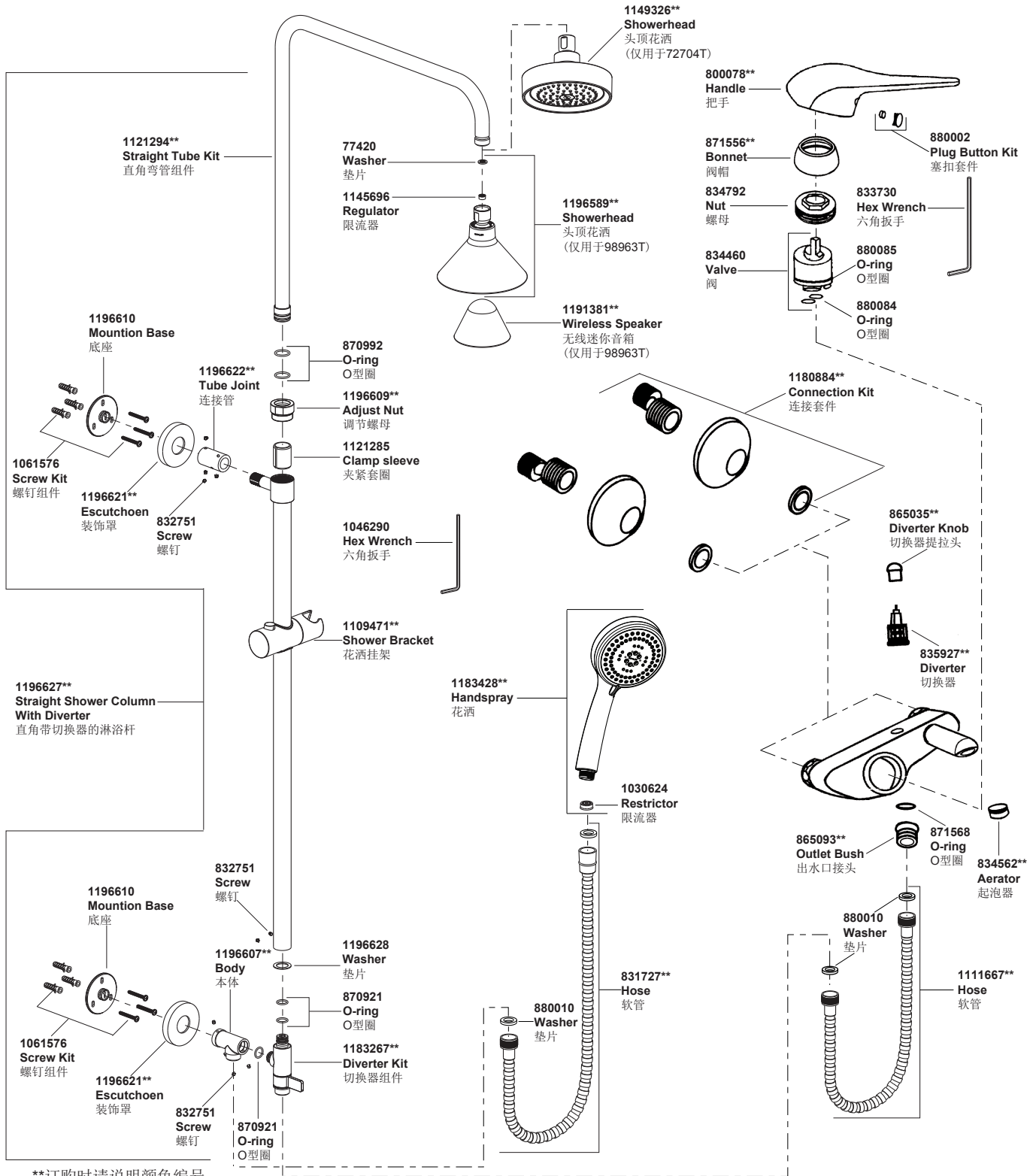
Note: the information provided is based on the supplier data and Kohler inspection results. The product is designed not to hurt the environment. Under current technology, all hazardous materials have been used in the smallest amounts possible. Kohler will strive to reduce the use of these hazardous materials used in this product.



The product “service life for environment protection” is 10 years; Kohler Company will specify product service life based on product characteristics. The product “service life for environment protection” is only effective when the product is used as described in the product specification.

98963T-4 双花洒淋浴柱-5"音乐魔雨花洒

72704T-B4 挂墙式浴缸双花洒直角淋浴柱



**订购时请说明颜色编号

**Color code must be specified when ordering