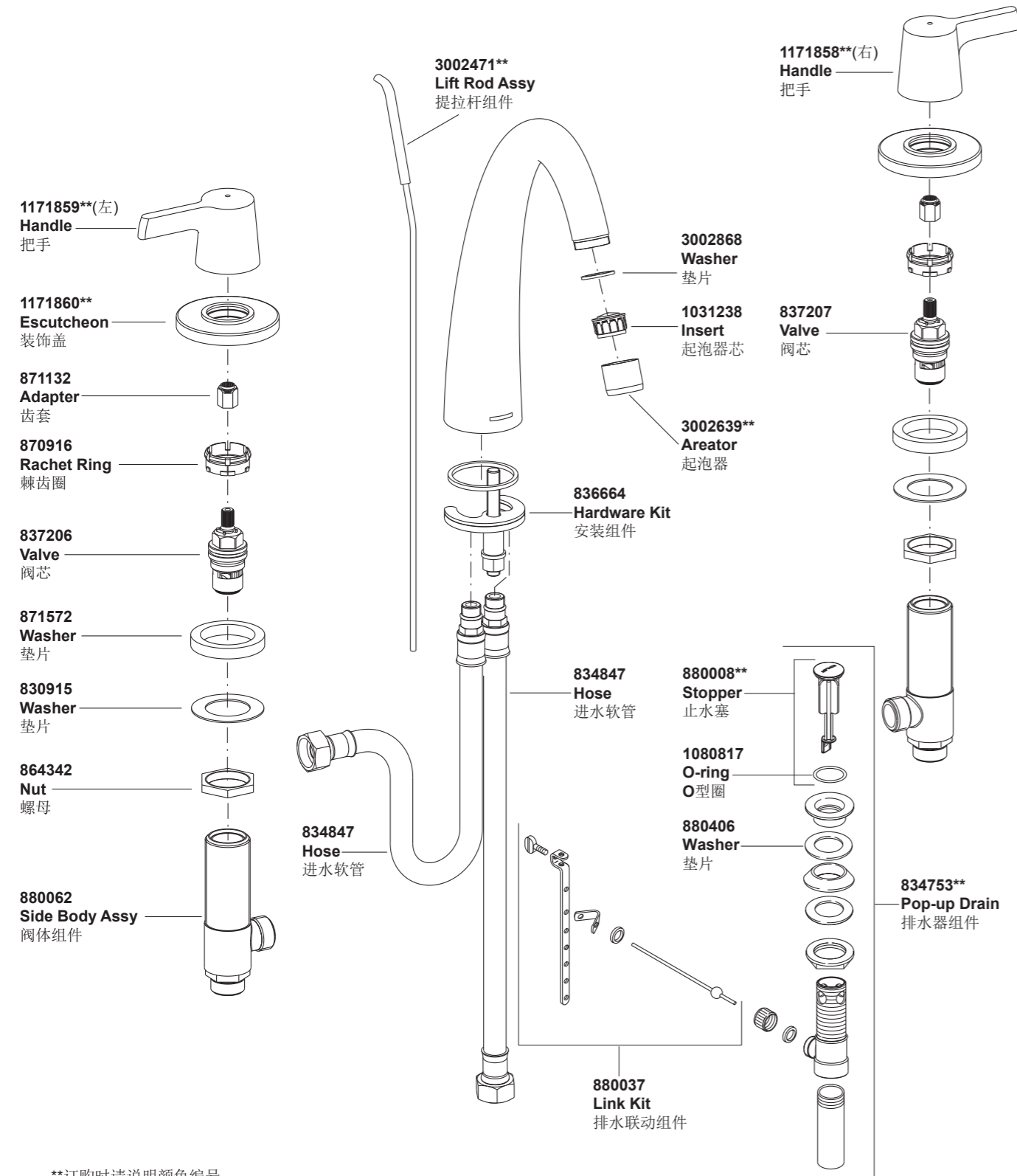


4997T-4 8" 脸盆龙头



**订购时请说明颜色编号
**Color code must be specified when ordering

4997T-4 8" 脸盆龙头

安装之前

所有的资料是按最新出版的产品资料编写而成。科勒公司保留任何时候不经通知即可改变产品特性、包装或产品可供类型的权利。

说明书包括重要的安装、保养及清洁方面的内容，请把这些资料交给用户阅读。

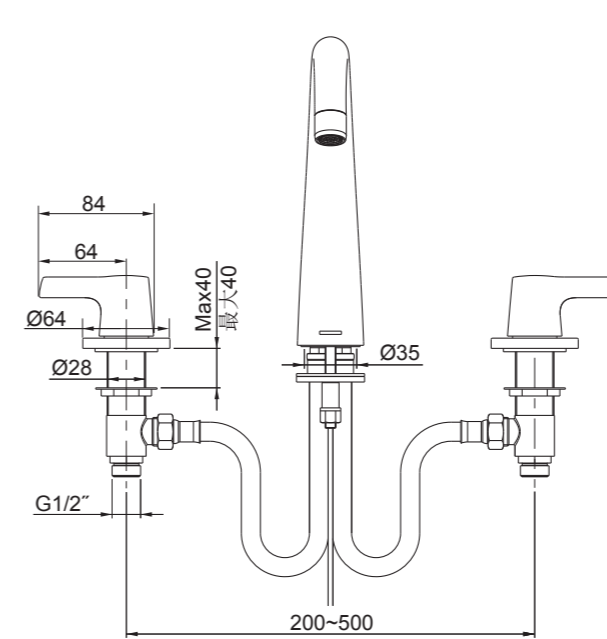
注意事项：

1. 一定要先彻底冲洗供水管以清除管道中的杂质。
2. 如果是安装新的洗脸盆，可将水龙头和排水器组件先装到脸盆上。
3. 检查供水管有无损坏和漏水。如需要，进行替换和维修。
4. 遵守当地管路安装条例。
5. 切断供水管路。

使用说明

顺时针旋转右把手为开，逆时针旋转左把手为开。

安装尺寸



BEFORE YOU BEGIN

All information is based on the latest product information available at the time of publication. Kohler Co. reserves the right to make changes in product characteristics, packaging, or availability at any time without notice.

Please leave these instructions for the consumer. They contain important information.

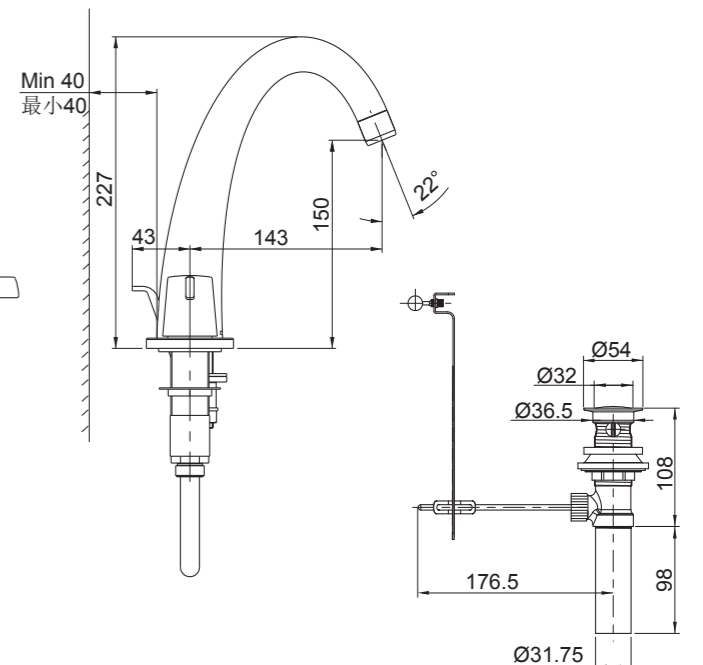
NOTES:

1. Flush the water supply pipes thoroughly to remove debris.
2. For new installations, assemble faucet and drain to lavatory before installing lavatory.
3. Inspect the supply tubing for damage and leakage. Replace and maintain as necessary.
4. Observe local plumbing codes.
5. Shut off the water supplies to the fitting.

OPERATION INSTRUCTIONS

Right handle opens with turning clockwise. Left handle opens with turning counter-clockwise.

ROUGH-IN DIMENSIONS



安装步骤

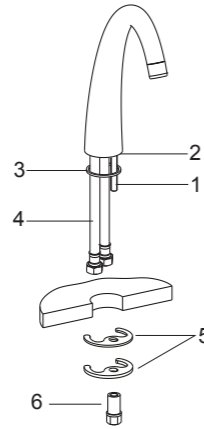
INSTALLATION

如何安装出水口

将固定螺栓(1)安装到水龙头底部(2)。

把垫圈(3)套进软管和固定螺栓，并嵌入龙头底部凹槽。

把供水软管(4)插入脸盆中孔。调整水龙头的位置，从脸盆下方把托架(5)套入固定螺栓(先套橡胶垫片)，锁紧螺母(6)以固定水龙头。



How To Install The Spout

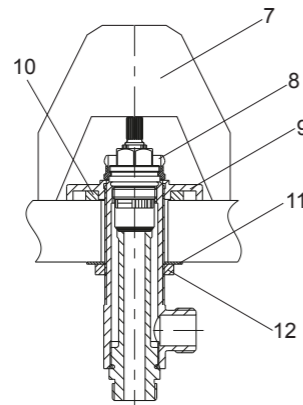
Install the mounting stud(1) into the faucet body base(2). Tighten it by hand.

Slide the washer(3) over the flexible hoses and mounting stud, and into the groove on the bottom of the faucet body.

Insert the flexible hoses(4) into the center hole of the lavatory. Position the faucet. Fit the brackets(5) on the mounting stud from the underside of the lavatory with the rubber washer first, and secure the faucet with the nut(6).

如何安装阀体

先依次拆下棘齿圈(8)、装饰盖(9)和垫片(10)。将带有垫片(11)和螺母(12)的阀体组件从脸盆下方插入安装孔。从上方依次安装垫片(10)、装饰盖(9)、棘齿圈(8)。再用调节纸板(7)来调整阀体露在脸盆上方的高度，如图所示。用扳手锁紧螺母(12)。



注意：拧紧前必须将阀体定位，面向龙头时，有蓝色标志的阀体位于右面。

How To Install The Valve Bodies

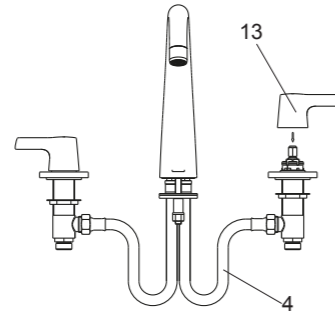
Remove the parts according to the following order: ratchet ring(8), escutcheon(9) and washer(10). Insert the side body with washer(11) and nut(12) through mounting holes from underside of lavatory. Reinstall the parts according to the following order: washer(10), escutcheon(9) and ratchet ring(8). Adjust the side body's height above the deck according to the adjustable cardboard(7). Wrench tighten the nut(12).

NOTE: Before tightening the nut, position the valve body and ensure the valve body with blue dot on the right when facing the front of the faucet.

如何安装把手和软管

如图所示将软管(4)连接到左右阀体上。安装必须保证软管水流顺畅。

确保阀芯处于关闭状态，将把手(13)安装到阀体上，把手安装完后的状态如图所示(带红点的把手安装在左侧)：



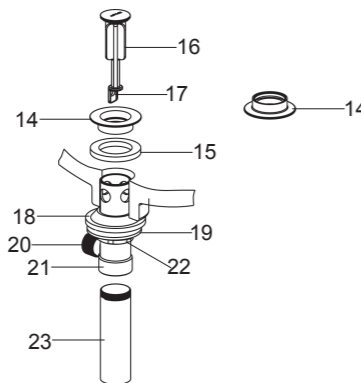
How To Install The Handles And The Hose

Connect the hoses(4) to the side bodies as the figure shown. Ensure that the water inside the hoses flow smoothly.

Place the handles(13) onto the side bodies with the valves closed. The correct status of the handles in the closed position is as shown in the figure(the handle with the red dot on the left).

如何安装排水器

将止水塞(16)、法兰盘(14)及垫片(15)从排水本体(21)上取下，在法兰盘底面套上垫片。从排水本体上取下尾管(23)。在尾管螺纹处缠绕足以密封的密封胶带或涂合适的密封胶，将排水本体装回。把带垫圈(18)、钢垫(19)及锁紧螺母(22)的排水本体从面盆下插入，排水杆洞口(20)朝后方。



How To Install The Drain

Take off the stopper(16), drain flange(14) and washer(15) from drain body(21). Slide washer onto the underside of the drain flange. Take off the tailpiece(23) from the drain body. Supply enough tape or sealant to tailpiece thread. Reinstall the tailpiece. Insert the drain body with the gasket(18), steel washer(19) and locknut(22) into the lavatory from underside with the drain lever hole(20) facing the rear.

注意：如果需要，可以直接在排水器盘片(14)底面沿周围涂上一圈密封油灰，而不使用垫片(15)。

把排水器盘片(14)旋入排水本体中，从下方用手拧紧锁紧螺母(18)。把止水塞(19)放入排水本体(20)中，调整以使止水塞末端的洞口(21)靠近并对正排水杆的洞口(22)。

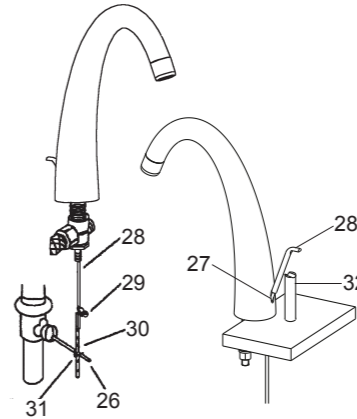
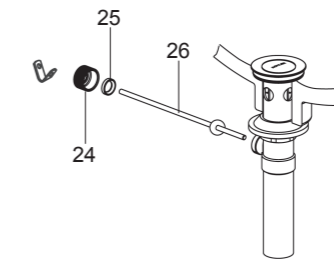
将固定螺母(24)取下，将塑料垫片(25)及固定螺母装在球杆(26)上，把球杆组件插入排水杆的洞口中，并穿过止水塞，拧紧固定螺母(24)。

球杆指向脸盆后方，并拧紧排水本体上的锁紧螺母，去除多余的油灰。

注意：在锁紧螺母转紧后，不可调整排水本体的位置，否则会破坏油灰密封。

把手捻螺丝(29)装到连杆中。用V形夹(31)将连杆接在球杆(26)上。将提拉杆组件(28)插入本体提拉孔(27)和连杆(30)孔中，用提拉杆调整件(32)调整提拉杆的位置如图所示，使得提拉杆头部正好落在调整件的凹槽中。

将球杆下推到排水器适当打开的位置。拧紧手捻螺丝(30)。安装完毕将提拉杆调整件取下。



Notes: If needed, apply a ring of plumbers putty around the underside of the drain flange(14) instead of using the washer(15).

Thread the drain flange(14) onto the drain body. Tighten the locknut(18) by hand from the underside of the lavatory. Place stopper(19) into the drain body(20) aligning the flat side of stopper hole(21) with the drain lever hole(22).

Remove the retaining nut(24). Fit the plastic washer(25) and the retaining nut onto the ball lever(26). Insert the ball lever assembly into the drain lever hole and through the stopper hole, and tighten the retaining nut(24).

Be sure that the ball lever points to the back of the basin, tighten the locknut on the drain body. Remove any excess putty.

NOTE: Do not reposition the drain after the locknut is tightened, or you may break the putty seal.

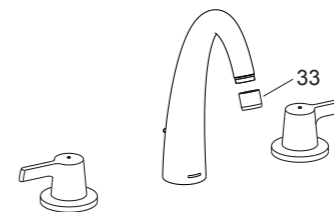
Assembly thumb screw(29) to link, and link onto ball lever rod(26) with "V"-clip(31). Insert the lift rod assembly(28) into the hole(27) in the spout, and then into the link(30) of the drain. Position the lift rod with the adjuster(32, as shown in the figure) to make the top of the lift rod knob rest on the groove of the adjuster.

Push the ball lever down to the proper open position. Tighten thumb screw(30). Put the lift rod adjustable piece aside after all is installed.

安装结果检查

INSTALLATION CHECKOUT

连接尾管和存水弯。确保已拧紧所有连接处。确保把手在关闭位置。打开排水器和主要供水源，检查并修理有漏水的接口。取下起泡器(33)。打开排水器。打开冷热水阀，使水流过出水口，除掉杂物，关闭阀。重新安排起泡器。



Connect the tailpiece and P-trap. Ensure that all connections are tight. Ensure that the handles are in the off position. Turn on the drain and main water supply, and check for leaks. Repair as needed. Remove the aerator(33). Open the drain. Open both hot and cold valves and run water through the spout to remove any debris. Turn the valve off. Reinstall the aerator.

清洗说明

CLEANING INSTRUCTIONS

适用于所有加工处理过的表面：以中性肥皂水清洗镀层表面，再以干净的软布彻底擦干整个表面，有许多清洁剂，比如氨水、去污粉及洁厕灵等，会对电镀表面造成伤害，切忌使用。

All Finishes: Clean the finish with mild soap and warm water. Wipe entire surface completely dry with clean soft cloth. Many cleaners may contain chemicals, such as ammonia, chlorine, toilet cleaner etc. which could adversely affect the finish and are not recommended for cleaning.

有磨损性的清洁用具或清洁剂也不可适用于科勒牌的水龙头及其配件上。

Do not use abrasive cleaners or solvents on Kohler faucets and fittings.