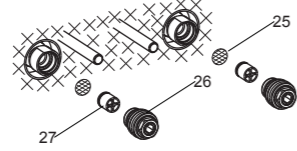


## 维护与保养

滤网垫片(25)可起到保护龙头的作用,但是长时间使用后,水垢或杂质可能会堵塞滤网降低水流量。如果有类似情况发生,卸下龙头,用六角扳手(8mm)拧下底座组件(26),取下滤网垫片(25)和单向阀(27)。用热醋清洗滤网。然后按照图示装回零件。(注意:单向阀必须按原方向装回。)



## CARE AND MAINTENANCE

The filters(25) protecting the faucet device may get obstructed and reduce water flow. When this happens, unscrew the seat kit(26) by a hex wrench(8mm) and take out the filters(25) and the check valves(27) after removing the faucet. Clean the filters by soaking them in warm vinegar. Reinstall them as the figure. (NOTE: Check valves should reinstall as original orientation.)

如果供水的水质较硬或长时间使用,水垢或杂质会阻塞温控阀上的滤网,流量会降低。需要清理请按照下列步骤进行:关闭供水系统,使流量阀处于打开位置后进行温控阀的拆卸作业。温控阀是较敏感的配件,所以要十分小心。

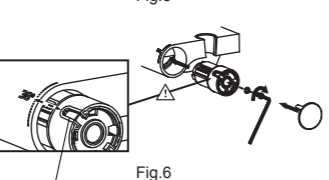
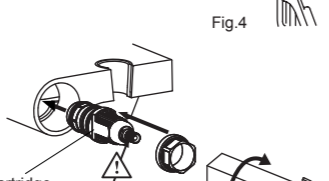
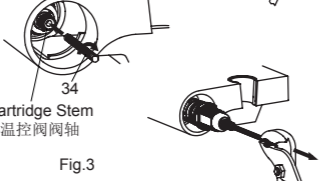
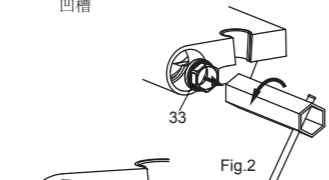
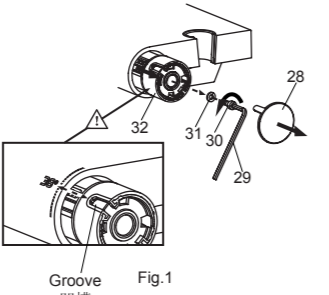
如图Fig.1所示,拆卸前确保温控把手凹槽与本体上的数字38对齐。拆下塞扣(28),用3mm六角扳手(29,客户自备)旋松螺钉(30),取下垫片(31),拆下温控把手组件(32)。如图Fig.2所示,用23mm套筒旋松螺母(33)并取下。

将螺钉(34)旋入温控阀阀轴(如图Fig.3),用钳子夹紧螺钉,小心地拔出温控阀(如图Fig.4)。用热醋进行清洗。清洗后,调整阀轴使外齿上的黑色标识与阀体上的长方形凸起标识对齐,然后将阀体上的长方形凸起与龙头本体上的数字38对齐,装入温控阀并锁紧螺母(如图Fig.5)。

**注意:** 确保拆卸、安装过程中,不要转动温控阀轴。如不小心转动了阀轴,要调整阀轴使外齿上的黑色标识与阀体上的长方形凸起标识对齐(Fig.5)。

将温控把手凹槽与龙头本体上的数字38对齐,安装温控把手组件,然后用螺钉带垫片固定温控把手组件,装上塞扣(如图Fig.6)。

**注意:** 安装温控把手过程中,确保温控把手凹槽与本体上的数字38对齐。



Very hard water can obstruct the filters on the thermostatic cartridge and reduce the flow of water. Please clean the cartridge as follows: Shut off the water supply of the faucet and open the water flow handle, then proceed to remove the cartridge. The cartridge is sensitive, please be careful.

As fig.1 shown mark sure the groove on the temperature handle is aligned with number 38 on the faucet body before your action. Remove the cover(28). Unscrew the screw (30) with a 3mm hex wrench(29, not provided). Remove the washer(31) and the temperature handle kit(32). Loosen the nut(33) with a 23mm sleeve, and remove it as Fig.2 shown.

Screw the screw(34) into the cartridge stem (Fig.3). Pull out the cartridge cautiously with a plier(Fig.4). Clean the thermostatic cartridge by soaking it in warm vinegar. After cleaning, adjust the cartridge stem so that the black mark on the stem is correctly in line with the heave on the cartridge body, then be sure that the heave is aligned with number 38 on the faucet body, install the cartridge, and tighten the nut with 23mm sleeve(Fig.5).

**NOTE:** Do not turn the cartridge when reinstall it. If you turned it without carefully, you should adjust it and be sure so that the black mark on the stem is correctly in line with the heave on the cartridge body(Fig.5).

Mark sure the groove on the temperature handle is aligned with number 38 on the faucet body, Install the temperature handle, then secure the handle by the screw with the washer, put on the cover(Fig.6).

**NOTE:** When installing the temperature handle, make sure that the groove on the temperature handle is aligned with number 38 on the faucet body.

## 清洗说明

适用于所有加工处理过的表面:以中性肥皂水清洗镀层表面,再以干净的软布彻底擦干整个表面,许多清洁剂,比如氨水、去污粉及洁厕灵等,会对电镀表面造成伤害,切忌使用。

有磨损性的清洁用具或清洁剂也不可适用于科勒牌的水龙头及其配件上。

## CLEANING INSTRUCTIONS

All Finishes: Clean the finish with mild soap and warm water. Wipe entire surface completely dry with clean soft cloth. Many cleaners may contain chemicals, such as ammonia, chlorine, toilet cleaner etc. which could adversely affect the finish and are not recommended for cleaning.

Do not use abrasive cleaners or solvents on Kohler faucets and fittings.

# KOHLER®

## INSTALLATION INSTRUCTIONS

### 安装说明书

# 阿帕罗 APARÚ

## Wall-Mount Thermostatic Shower Faucet

- 9112T 挂墙式恒温花洒龙头
- 9113T 挂墙式恒温花洒龙头含瀑布出水嘴

### 安装之前

所有的资料是按最新出版的产品资料编写而成。科勒公司保留任何时候不经通知即可改变产品特性、包装或产品可供类型的权利。

说明书包括重要的安装、保养及清洁方面的内容,请把这类资料交给用户阅读。

### BEFORE YOU BEGIN

All information is based on the latest product information available at the time of publication. Kohler Co. reserves the right to make changes in product characteristics, packaging, or availability at any time without notice.

Please leave these instructions for the consumer. They contain important information.

### 使用环境

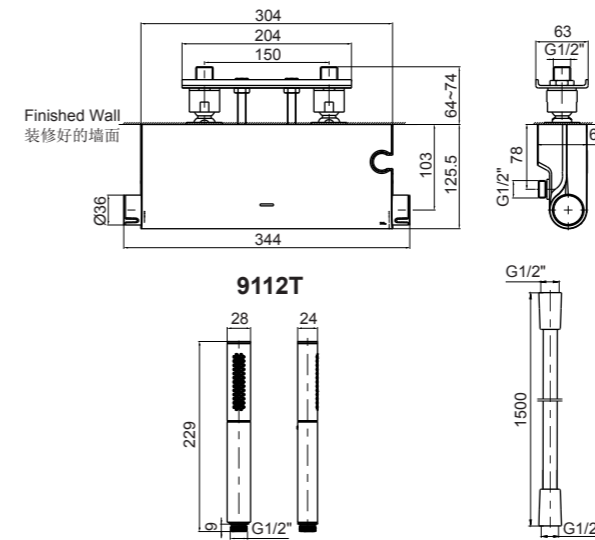
- 1.最小供水压力: 0.5bar(0.05MPa)。
- 2.推荐冷热供水的静态压力: 3bar(0.3MPa)。
- 3.如果供水压力大于5bar(0.5MPa), 安装减压阀。
- 4.热供水温度最低: 50°C; 最高: 70°C。
- 5.推荐的热供水温度: 60°C。
- 6.温度的设定基本范围为: 20°C到50°C。
- 7.冷热供水的压力差不大于2bar(0.2MPa)。

8.花洒最高工作压力: 0.5MPa(5bar)。花洒最高工作温度及环境温度: 60°C。请特别注意花洒同花洒连接的臂管须远离浴霸, 否则可能损坏花洒及其密封件, 甚至对使用者造成伤害。

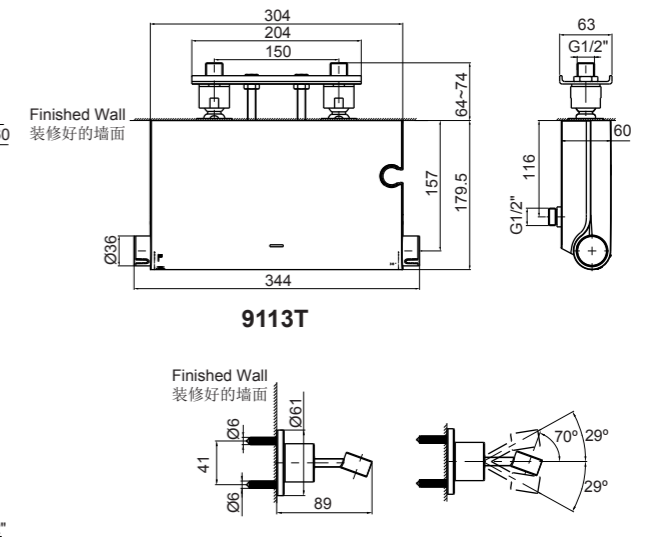
### OPERATION CONDITION

1. Minimum supply pressures: 0.5bar(0.05MPa).
2. Recommended supply static pressures: 3bar(0.3MPa) on hot and cold water.
3. Supply pressure greater than 5bar: install a pressure reducer.
4. Hot water temperatures, minimum: 50°C, maximum:70°C.
5. Recommended hot water temperature: 60°C (energy-saving).
6. Setting range, approximately: 20°C to 50°C.
7. Pressure difference between hot and cold supply: 2bar (0.2MPa) maximum.
8. The highest working pressure for handspray & shower head is 0.5MPa(5bar). The highest water and environment temperature is 60°C. Please keep handspray, shower head and the shower arm away from heater, or it may become damaged and cause injury to the user.

### 安装尺寸



### ROUGH-IN DIMENSIONS



## 安装步骤

## INSTALLATION

### 注意事项:

1. 安装水龙头前, 彻底冲洗供水管, 以清除管道中的杂质。
2. 埋墙前测试安装连接部位是否有渗漏, 根据需要修理之。
3. 埋墙件安装完成后, 水压测试埋墙件是否有渗漏, 测试水压不超过0.8MPa(8bar), 时间不超过30分钟。

### 如何安装连接组件

在垂直面的墙壁上, 选择合适的高度安装连接组件(1)。在墙面上开一个合适的孔。

**注意:** 如图Fig.1所示, 确保装修好的外墙面应处于保护套(2)上的MAX与MIN标记之间。

在两个接头(3)上涂螺纹密封胶或缠绕足以密封的密封胶带。如图Fig.2所示, 将G1/2"冷热供水管接到连接组件上, 且连接组件带有红点一侧朝左, 连接热水管。

**注意:** 安装时, 保证螺钉(4)轴线方向与墙面垂直, 底板(5)水平。

安装过程中, 为了保护阀体, 保护罩需留在阀体上。

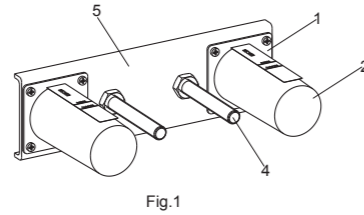


Fig.1

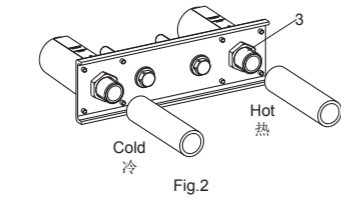


Fig.2

### NOTE:

1. Flush the water supply pipes thoroughly to remove debris before installation.
2. Check for leaks before covering the pipes, repairs as needed
3. Check for leaks with water pressure test after covering the pipes. Please ensure test pressure below 0.8MPa(8bar) and test duration within 30 minutes.

### How to Install the Outlet Kit

Determine where the outlet kit(1) will be located on vertical wall. Make a suitable hole in the wall.

**NOTE:** The out surface of the finished wall should be between the MAX and MIN marks on the protectors(2) as Fig.1 shown.

Use appropriate thread sealants or thread tape on the outlet bushes(3). Connect G1/2" hot and cold supplies to the outlet kit as Fig.2 shown, and connect hot supply to the left on the outlet kit with red mark.

**NOTE:** Ensure the centerline of the screws(4) is perpendicular to the wall, the support plate(5) is horizontal.

During installation, the protectors remain on the valve body.

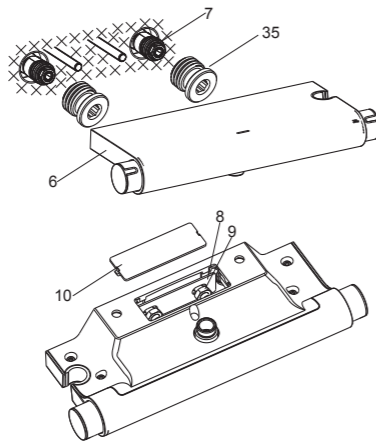
### 如何安装本体

墙面装修好后, 紧贴墙面切掉保护罩。拆下并扔掉装在接头(7)里的堵头(35)。

将本体(6)装在连接组件上, 并紧贴墙面。如装入困难, 可转动调节接头(7)。

**注意:** 确保本体上带有“KOHLER”标记的一侧朝上。

从本体下方将安装板(8)装在螺钉(4)上。将螺母(9)旋紧到螺钉(4)上以固定安装板。安装底盖(10)。



### How to Install the Body

Cut off the plastic guard against the wall after the wall is finished. Uninstall and discard the stopper(35) inside the connector(7).

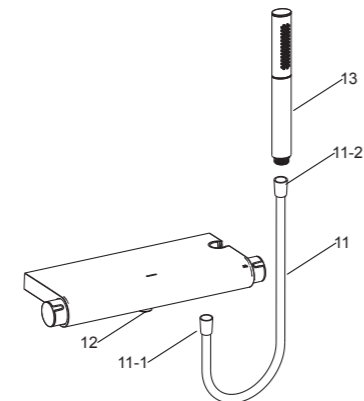
Slide the body(6) onto the outlet kit till it is against the wall. Rotate the connector(7) so that the body can install onto the outlet kit if needed.

**NOTE:** Ensure that the side with "KOHLER" mark on the body is up.

From the underside of the body, install the mounting plate(8) onto the screws(4). Tighten the nuts(9) onto the screws(4) to secure the mounting plate. Fit the cover(10).

### 如何安装手持花洒和软管

去掉软管(11)两端接头的保护套。将软管任一端接头(11-1)与接头(12)相连并拧紧。将软管的另一端接头(11-2)与手持花洒(13)相连并拧紧。



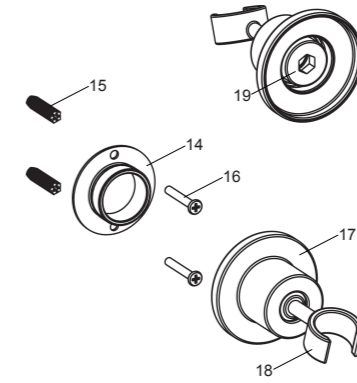
### How to Install the Handspray and the Hose

Remove the guards on the outlet connectors of the hose(11). Tighten one connector(11-1) of the hose to the connector(12). Tighten the other connector(11-2) to the handspray(13).

## 如何安装托架

在垂直面的墙壁, 选一个花洒能够着的位置来安装托架。

根据安装尺寸在墙壁上标出底座(14)安装孔位置。根据胀塞(15)直径打孔, 安装胀塞。旋紧螺钉(16), 固定底座。安装托架(17)之前, 检查托架的花洒托环(18)是否松动, 如果松动, 用9.5mm六角扳手锁紧托架底部的螺母(19)。在托架底面边缘涂一圈油灰或密封胶, 将托架旋紧到底座上。去除多余油灰或密封胶。



将手持花洒挂在托架上。

## How to Install the Shower Bracket

Select a location in vertical wall within reach of the shower hose to install shower bracket.

Mark bracket support(14) mounting hole locations on the wall according to the dimension. Drill two holes on the finished wall, the holes should match the anchors(15). Install the anchors. Tighten screws(16) to secure bracket support. Before installing the bracket(17), check if the ring(18) of the bracket loosen. If yes, tighten the nut(19) on the bottom of the bracket with 9.5mm hex wrench. Apply a ring of plumbers putty or sealant around the back surface of the bracket. Screw the bracket onto the bracket support. Remove any excess putty or sealant.

Hang the handspray on the bracket.

## 安装结果检查

检查并确保所有的衔接处都已拧紧, 确保手柄在关的位置。

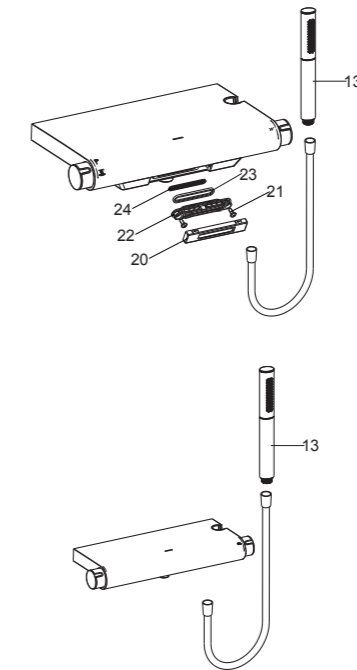
打开排水系统和主要供水源, 检查并修理有漏水的接口。

### 对于9113T

依次拆下盖帽(20)、螺钉(21)、挡片(22)、垫圈(23)、网垫(24)和手持花洒(13)。打开切换把手, 慢慢旋转温控把手。让水流出约一分钟以清除杂质。检查渗漏, 关闭水龙头, 重新装回花洒和起泡器组件。

### 对于9112T

拆下手持花洒(13)。打开流量把手, 慢慢旋转温控把手。让水流出约一分钟以清除杂质。检查渗漏, 关闭水龙头, 重新装回花洒。



## INSTALLATION CHECKOUT

Ensure that all connections are tight. Ensure that the handle is in the off position.

Turn on the drain and main water supply, and check for leaks. Repair as needed.

### For 9113T

Remove the cap(20), the screws (21), the waterfall part(22), the ring(23), the waterfall grid(24) and the handspray(13) in turn. Turn on the diverter handle, and slowly turn the temperature selector. Run water through the faucet for about one minute to remove any debris. Check for leaks. Shut off the faucet. Reinstall the handspray and aerator kit.

### For 9112T

Remove the handspray(13). Turn on the water flow handle, and slowly turn the temperature selector. Run water through the faucet for about one minute to remove any debris. Check for leaks. Shut off the faucet. Reinstall the handspray.

## 使用说明

慢慢旋转温控把手即右把手, 调整温度, 出厂默认温度为38°C。如果想得到更高的温度, 请继续旋转按钮。

水流量是通过左把手来控制的。对于9113T, 逆时针旋转切换把手, 手持花洒出水, 流量变大; 顺时针旋转切换把手, 出水嘴出水, 流量变大; 中间为关闭位置。

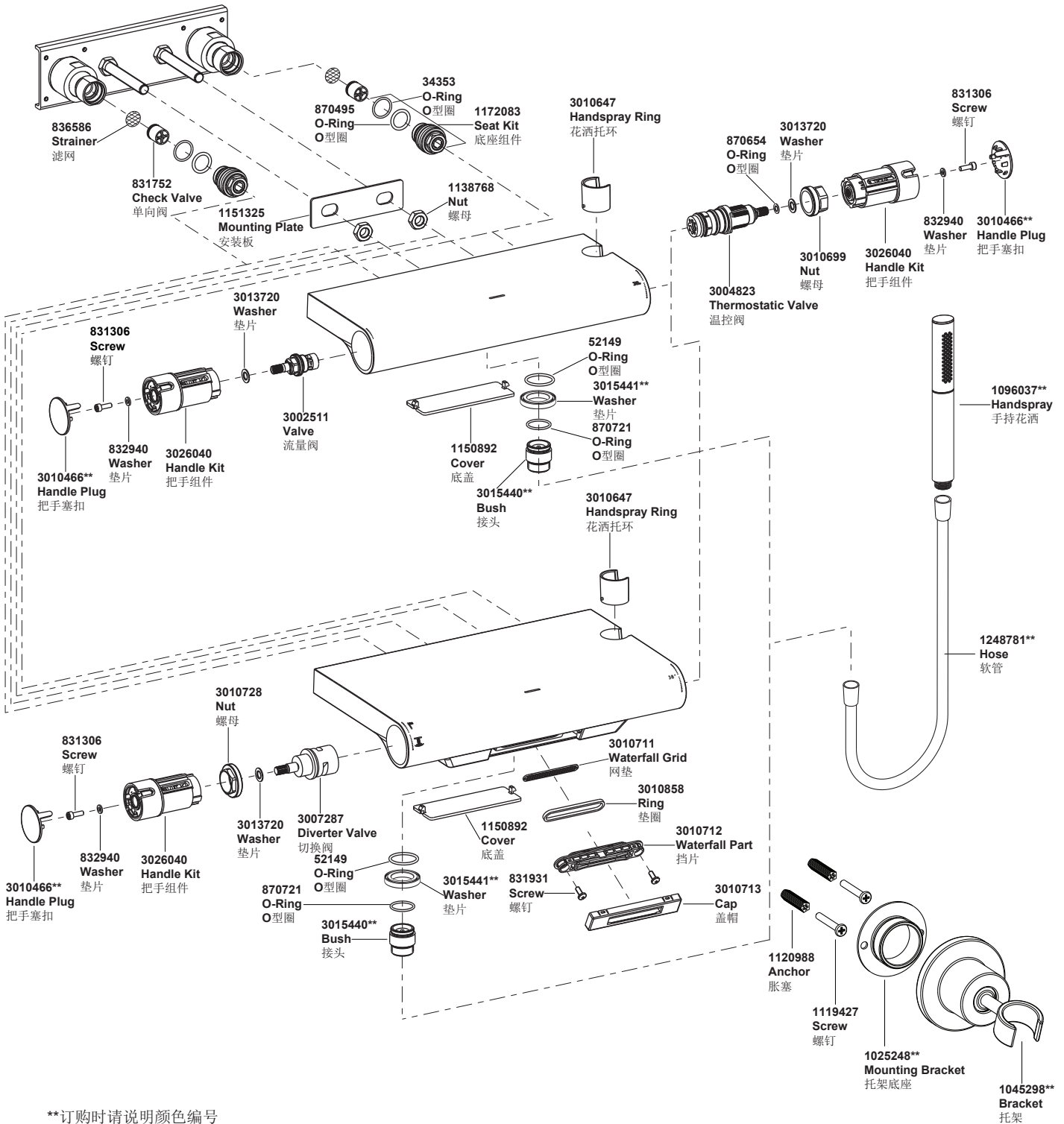
## OPERATION INSTRUCTIONS

The temperature is set by slowly turning the temperature selector(right-hand handle). The factory default temperature is 38°C. To get a higher temperature, continue turning the temperature selector.

Water flow is set by turning the left-hand handle. For 9113T, Turn diverter handle counterclockwise for the handspray, the flowrate increase; turn clockwise for the spout, the flowrate increase; middle position off.

### Wall-Mount Thermostatic Shower Faucet

- 9112T 挂墙式恒温花洒龙头
- 9113T 挂墙式恒温花洒龙头含瀑布出水嘴



\*\*订购时请说明颜色编号

\*\*Color code must be specified when ordering