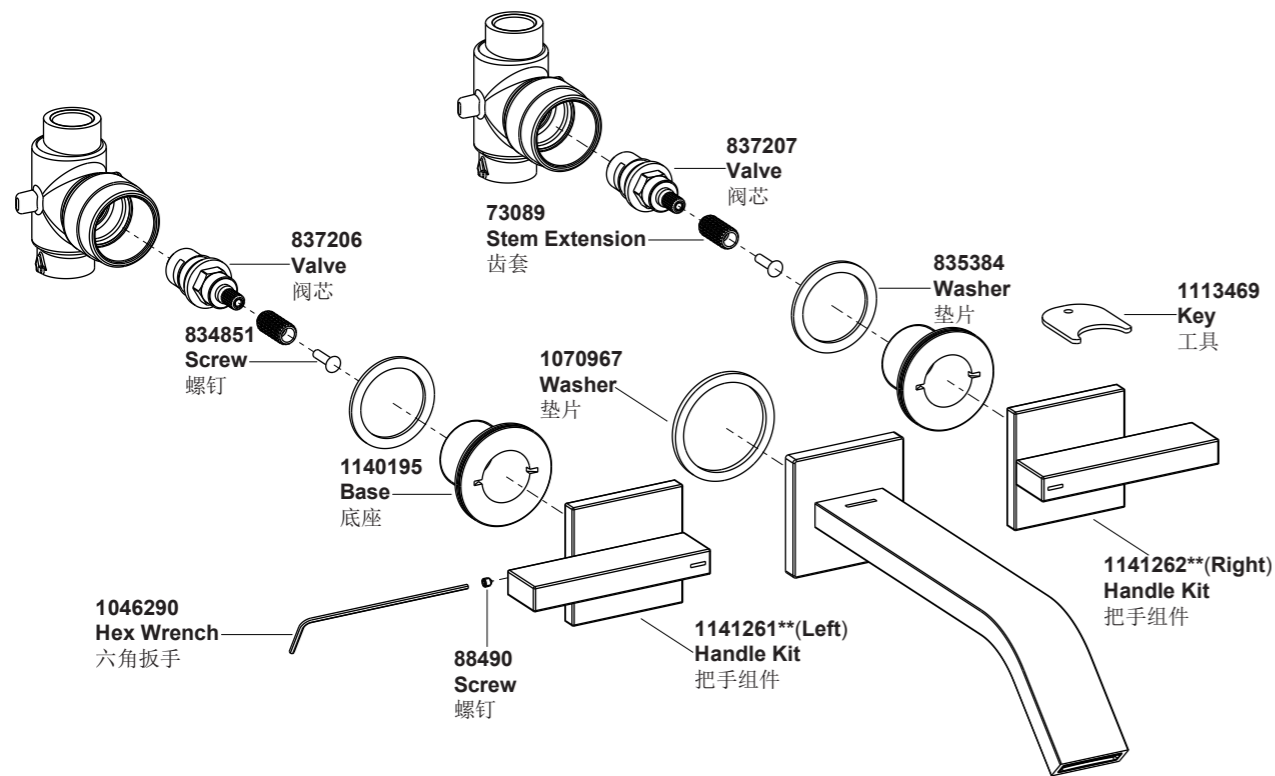


14712T-4 入墙式双把浴缸龙头



**订购时请说明颜色编号
**Color code must be specified when ordering

14712T-4 入墙式双把浴缸龙头

安装之前

所有的资料是按最新出版的产品资料编写而成。科勒公司保留任何时候不经通知即可改变产品特性、包装或产品可供类型的权利。

说明书包括重要的安装、保养及清洁方面的内容，请把这些资料交给用户阅读。

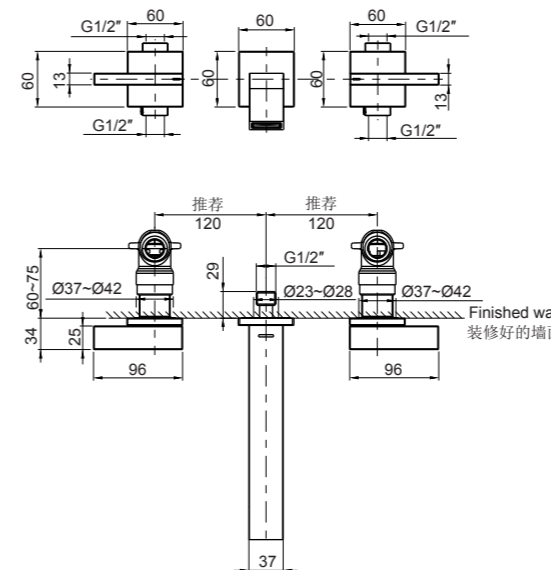
注意事项：

1. 一定要先彻底冲洗供水管以清除管道中的杂质。
2. 检查供水管有无损坏。如需要，进行替换。
3. 切断供水管路安装。
4. 遵守当地管路安装条例。
5. 埋墙前测试安装连接部位是否有渗漏，根据需要修理之。
6. 在说明书所指示的恰当时候，拿掉保护套。
7. 本产品只接受水压测试，且测试前需先排空管路与龙头之间的空气。测试水压不超过0.8MPa(8bar)，时间不超过30分钟。

使用说明

逆时针旋转左把手为开，顺时针旋转右把手为开。

安装尺寸



BEFORE YOU BEGIN

All information is based on the latest product information available at the time of publication. Kohler Co. reserves the right to make changes in product characteristics, packaging, or availability at any time without notice.

Please leave these instructions for the consumer. They contain important information.

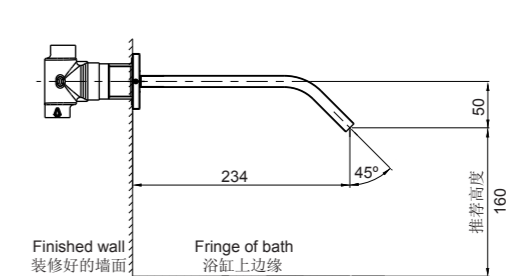
NOTES:

1. Flush the water supply pipes thoroughly to remove debris.
2. Inspect the supply tubing for damage. Replace as necessary.
3. Shut off the water supplies to the fitting.
4. Observe local plumbing codes.
5. Check for leaks before covering the pipes, repairs as needed.
6. Do not remove the plaster guard body until instructed to.
7. Please ensure only apply water pressure test on the product, and empty the air in pipe and faucet thoroughly before the test. Please ensure test pressure below 0.8MPa (8 bar) and test duration within 30 minutes.

HANDLE OPERATION

Left handle opens with turning anticlockwise. Right handle opens with turning clockwise.

ROUGH-IN DIMENSIONS



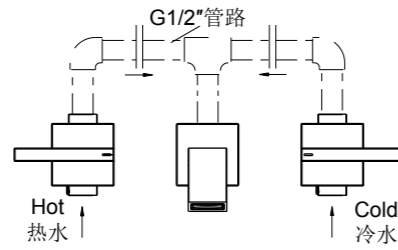
安装步骤

INSTALLATION

如何构建硬管管路

建议构建如图中虚线所示的G1/2"硬管管路来连接和支撑产品。

注意： 确保硬管管路连接正确。



How To Construct Hard Piping Loop

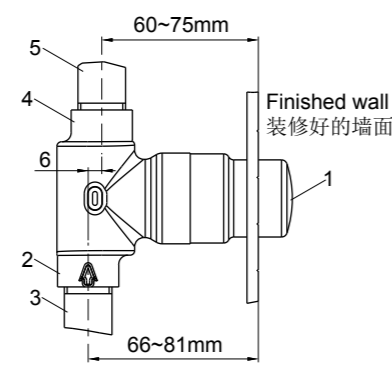
Suggest to connect and support products by constructing a G1/2" hard pipe loop to connect and support products as shown.

NOTE: Ensure that the G1/2" hard pipe loop is connected correctly.

如何安装阀体

切勿在此时将保护套(1)移去。

将带有箭头标识的一端(2)与G1/2"螺纹的进水管(3)连接 (**注意：** 确保箭头指向上方。); 另一端(4)与G1/2"螺纹的出水管(5)连接。出水管路中心线与装修好的墙面距离应保持在60mm至75mm之间, 进水管路中心线与装修好的墙面距离应保持在66mm至81mm之间。



注意： 带有红色圆点标识的阀体安装在左边。

How To Install The Bodies

Do not take off guards(1) at this moment.

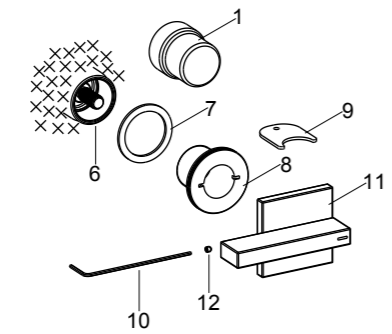
Connect the ends(2) with arrow mark to G1/2" inlet pipes(3) (**NOTE:** Make sure the arrows point up.). Connect the other ends(4) to the G1/2" outlet pipes(5). Keep the distance from centerline of the outlet pipes to the surface of the finished wall must be between 60mm and 75mm. Keep the distance from centerline of the inlet pipes to the surface of the finished wall must be between 66mm and 81mm.

NOTE: The body with red dot is installed on the left.

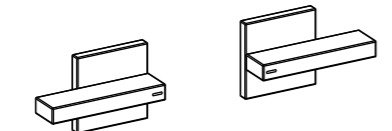
如何安装流量控制把手

墙壁装修好以后, 将阀体(6)保护套(1)扔掉。

将橡胶垫片(7)装到底座(8)底部凹槽, 用工具(9)将底座旋到阀体上并贴紧墙壁。用六角扳手(10)旋松把手组件(11)螺钉(12)。保持左把手组件螺钉孔水平向左, 右把手组件螺钉孔水平向右, 将把手组件装到底座上 (**注意：** 带红色标记的把手组件装在左侧, 安装之前阀芯处于关闭状态)。用六角扳手锁紧螺钉以固定把手组件。



阀芯处于关闭位置时, 把手状态如图所示。



How To Install The Flow-control Handles

Remove and discard the guards(1) from the bodies(6) after completed the finished wall.

Put the rubber washers(7) into the rear groove of the bases(8). Screw the bases onto the bodies until against the finished wall with the key(9). Loosen the screws(12) of the diverter handle kits(11) with the hex wrench(10). Keep screw hole of the left handle kit facing left horizontally and the screw hole of the right handle kit facing right horizontally. Install the handle kits onto the bases with the valves closed (**NOTE:** The handle kit with red mark should be installed on the left side.). Secure handle kits by tightening the screws with the hex wrench.

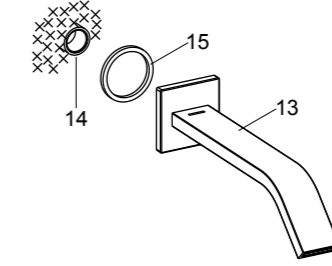
The illustration shown is the correct position of the handles in the off position.

如何安装出水口

安装出水口组件(13)之前, G1/2"内螺纹出水管(14)已装好。

注意： 出水管要垂直并且不能突出装修好的墙面, 但是低于墙面的长度在14~19mm之间。

将橡胶垫片(15)装到出水口组件底部。在出水口组件的螺纹上缠绕足以密封的密封胶带或涂合适的密封膏。用手将出水口组件旋紧到G1/2"内螺纹出水管上并紧贴墙壁。调整出水口方向使其向下。



How To Install The Spout

The G1/2" female outlet pipe(14) is installed before installing the bath spout kit(13).

NOTE: The outlet pipe should be not beyond, but below the finished wall 14~19mm, and be vertical with finished wall as well.

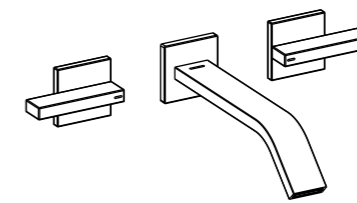
Put the rubber washer(15) into the rear groove of the spout kit. Apply tape or thread sealant to the threads on the bath spout kit. Tighten the spout kit onto the outlet pipe by hand until against the finished wall. Adjust the spout kit downward.

安装结果检查

检查并确保所有的衔接处都已拧紧, 确保把手在关的位置。

打开排水器和主要供水源, 检查并修理有漏水的接口。

打开把手, 让冷热水通过出水口流出约一分钟以清除杂质, 检查渗漏。关闭把手。



INSTALLATION CHECKOUT

Ensure that all coupling are tight. Ensure that the handles are in the off position.

Turn on the drain and main water supply, and check for leaks. Repair as needed.

Turn on handles. Run hot and cold water through spout for about one minute to remove any debris. Check for leak at this time. Shut off the handles.

清洗说明

适用于所有加工处理过的表面: 以中性肥皂水清洗镀层表面, 再以干净的软布彻底擦干整个表面, 许多清洁剂, 比如氨水、去污粉及洁厕灵等, 会对电镀表面造成伤害, 切忌使用。

有磨损性的清洁用具或清洁剂也不可适用于科勒牌的水龙头及其配件上。

CLEANING INSTRUCTIONS

All Finishes: Clean the finish with mild soap and warm water. Wipe entire surface completely dry with clean soft cloth. Many cleaners may contain chemicals, such as ammonia, chlorine, toilet cleaner etc. which could adversely affect the finish and are not recommended for cleaning.

Do not use abrasive cleaners or solvents on Kohler faucets and fittings.