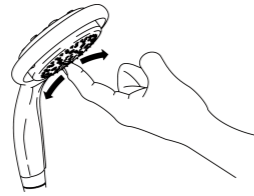


### 如何清除喷孔水垢, 杂质

喷孔杂质或结垢会导致水流变形, 流量变小。打开水源, 用力按压或摩擦橡胶喷孔, 去除杂质或水垢。

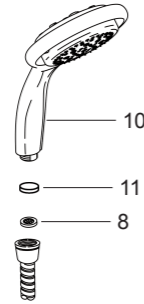


### How to Clean the Nozzles

The debris or mineral build-up may cause the flow stream to become distorted or reduce the flowrate. To remove the debris or mineral build-up, run water through the handspray, firmly press or rub your finger back and forth across the rubber nozzles.

### 如何清洗滤网垫片

拆下手持花洒(10)。先将滤网垫片(8)和毡垫(11)从手持花洒中依次取出。用热醋清洗滤网垫片上的滤网, 清洗滤网垫片和毡垫。重新将毡垫和滤网垫片装入手持花洒。重新装回手持花洒。



### How to Clean the Screen Washer

Remove the handspray(10). Take out the screen washer(11) and the filter(8) from the handspray. Clean the filters of the screen washer by soaking them in warm vinegar. Clean the screen washer and filter. Reinstall the filter and screen washer into the handspray. Reinstall the handspray.

### 如何清洗云雾式出水口

用带尖工具把白色塞扣拨下。

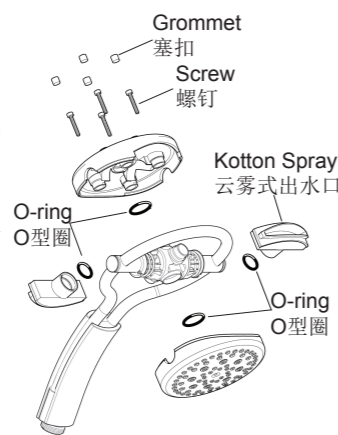
用2.5mm六角扳手(客户自备)把四个螺钉拆下。

将上下盖拆下后, 即可拆下云雾式出水口。

用白醋浸泡30分钟后即可清除污垢。

**注意:** 确保O型圈的位置正确。

按顺序装回所有零件。



### How to Clean the Kotton Spray

Use a suitable tool to remove the four grommets.

Using the 2.5mm hexagon wrench(not supplied), remove the four screws.

Separate the sprayplate assembly into its individual components.

Clean the kotton spray by soaking them in warm vinegar for 30 minutes.

**NOTE:** Make sure that the o-rings are located correctly.

Reassemble the components in reverse order.

### 清理说明

适用于所有加工处理过的表面: 以中性肥皂水清洗镀层表面, 再以干净的软布彻底擦干整个表面, 许多清洁剂, 比如氨水、去污粉及洁厕灵等, 会对电镀表面造成伤害, 切忌使用。

有磨损性的清洁用具或清洁剂也不可适用于科勒牌的水龙头及其配件上。

### CLEANING INSTRUCTIONS

All Finishes: Clean the finish with mild soap and warm water. Wipe entire surface completely dry with clean soft cloth. Many cleaners may contain chemicals, such as ammonia, chlorine, toilet cleaner etc. which could adversely affect the finish and are not recommended for cleaning.

Do not use abrasive cleaners or solvents on Kohler faucets and fittings.

# KOHLER®

## INSTALLATION INSTRUCTIONS

### 安装说明书

# 维芙

## WAVE

### Wall-Mount Bath & Shower Faucet

7788T-4 7798T-4 挂墙式浴缸花洒龙头

### 安装之前

所有的资料是按最新发布的产品资料编写而成。科勒公司保留任何时候不经通知即可改变产品特性、包装或产品可供类型的权利。

说明书包括重要的安装、保养及清洁方面的内容, 请把这些资料交给用户阅读。

#### 注意事项:

- 1.一定要先彻底冲洗供水管以清除管道中的杂质。
- 2.切换器正常工作的最小压力为0.05MPa(0.5bar)。
- 3.花洒最高工作压力: 0.5MPa(5bar)。水压超过0.5MPa(5bar)须安装减压阀。花洒最高工作温度及环境温度: 60°C。请特别注意花洒同花洒连接的臂管须远离浴霸, 否则可能损坏花洒及其密封件, 甚至对使用者造成伤害。
- 4.手持花洒限流器不可以取出, 否则将损坏花洒。

### BEFORE YOU BEGIN

All information is based on the latest product information available at the time of publication. Kohler Co. reserves the right to make changes in product characteristics, packaging, or availability at any time without notice.

Please leave these instructions for the consumer. They contain important information.

#### NOTES:

- 1.Flush the water supply pipes thoroughly to remove debris.
- 2.The minimum inlet water pressure for the diverter is 0.05MPa(0.5bar).
3. The highest working pressure for handspray is 0.5MPa(5 bar). If it exceeds 0.5MPa(5 bar), a pressure reducer is needed. The highest water and environment temperature is 60°C. Please keep handspray, shower head and the shower arm away from heater, or it may become damaged and cause injury to the user.
4. Don't remove the regulator, or will damage the handspray.

### 使用说明

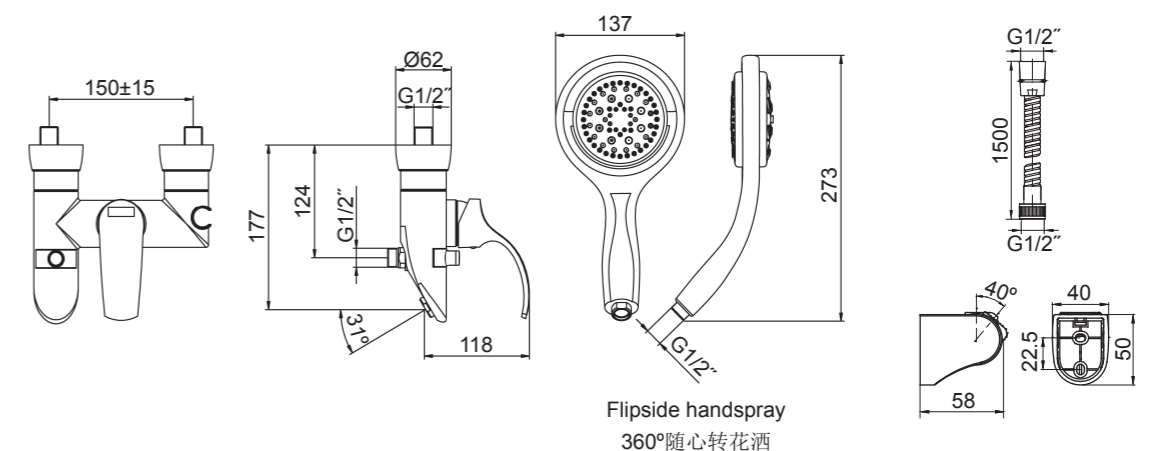
将手柄轻轻提起, 顺时针旋转为热水, 逆时针旋转为冷水。该手柄具有: 两档流量、两档热水、省水并且节能的特点。龙头切换器处于正常位置时浴缸出水口出水, 下拉切换器切换至手持花洒出水。

### HANDLE OPERATION

Lift the handle gently. Turn clockwise for hot water, counter-clockwise for cold water. There are two stops in both flow and hot water control in order to conserve water and energy. Water flows out from spout when faucet diverter is in the normal position and it's diverted to handspray when the diverter is pulled down.

### 安装尺寸

### ROUGH-IN DIMENSIONS



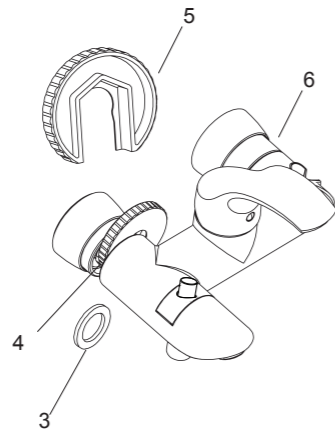
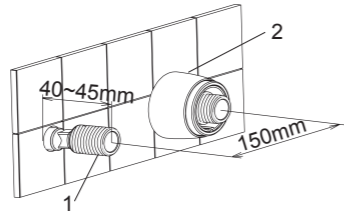
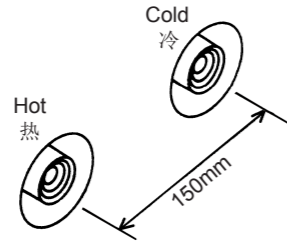
## 安装说明

为使安装顺利，G1/2"内螺纹管道配件应已安装好。预留150mm的间距，保持水平，并垂直墙面，低于和高出墙面的长度不超过5mm。热供水管装在左边。

在两个接头(1)涂上螺纹密封胶或缠绕足以密封的密封胶带，旋入冷热供水管中。

调节两个接头，使其中心距离为150mm并保持同一水平。它们凸出墙面的尺寸应该保持在40到45mm之间。在连接组件背面边缘涂一圈油灰，将连接组件(2)旋入接头，紧贴装修后的墙壁。去除多余油灰。

将垫片(3)放入螺母(4)中，用辅助扳手(5)拧紧。两个螺母都拧紧后，将连接组件中可伸缩的部分(6)顺时针旋转，然后释放，其将自动弹出。



## INSTALLATION

To perform installation, installer must provide G1/2" female supply fittings, spaced 150mm apart, horizontally, vertical, and not more than 5mm if extending or below the finished wall surface. Hot supply pipe must be located on the left.

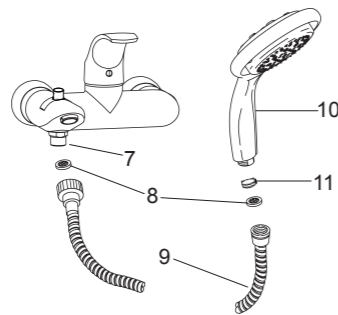
Install the two offset connectors(1) into the hot and cold supply fittings. Use appropriate thread sealants or thread tape onto the threads.

Adjust the center-to-center distance between the connectors to 150mm and horizontally. They should extend 40 to 45mm beyond the finished wall. Apply a ring of plumbers putty around the back edge of the connection assemblies(2). Thread connection assemblies onto the connectors until they are against the finished wall. Remove any excess putty.

Put the washers(3) into the nuts(4) and tighten the nuts with the tool(5) supplied. When both nuts are locked in place, turn clockwise and release retractable parts(6) on connection assemblies. The parts will be reseated.

## 如何安装花洒

手持花洒(10)的限流器不可取出。取出软管(9)一端接头内的垫片。将滤网垫片(8)放入软管接头内，毡垫(11)放入手持花洒内，将手持花洒旋紧到软管上，软管另一端连接手持花洒出水接头(7)。锁紧所有衔接螺母。



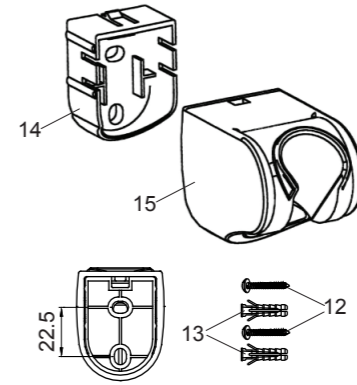
## How to Install the Handspray

Don't remove the regulator of handspray(10). Remove the washer from one connector of the hose(9). Put the screen washer(8) into the shower hose connector, put the filter(11) into the handspray, screw the handspray to the shower hose. Connect another end of shower hose to the connector(7). Tighten all the connectors.

## 如何安装托架

在墙面选一合适的位置来安装托架。

根据孔距在墙面标记位置，依据胀塞(12)直径打孔，安装胀塞。旋紧螺钉(13)，使底座(14，平面朝上)固定紧贴墙壁。将托架(15)扣在底座上，使凸台嵌入豁口。把花洒挂在托架上。



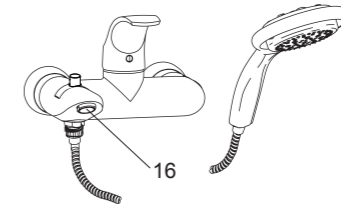
## 安装结果检查

检查并确保所有的衔接处都已拧紧。

确保手柄在关闭位置。

打开排水系统和主要供水源，检查并修理有漏水的接口。

取下手持花洒和起泡器(16)。打开冷热水，让水流出约一分钟以清除杂质。检查渗漏，清洗起泡器。关闭水龙头，并装回起泡器和手持花洒。



## 操作说明

旋转手持花洒头部可以获得不同水流方式，见右图。



## How to Install the Bracket

Determine a suitable location on the finished wall to install the bracket.

Mark bracket base mounting hole locations on the wall according to the dimension. Drill two holes on the finished wall, the holes should match the anchors(12). Install the anchors. Tighten screws(13) to secure bracket base(14) to the finished wall. Put the bracket(15) onto the bracket base and lock by stopper. Hang the handspray on the shower bracket.

## INSTALLATION CHECKOUT

Ensure that all coupling nuts are tightened.

Ensure that the handles are in the off position.

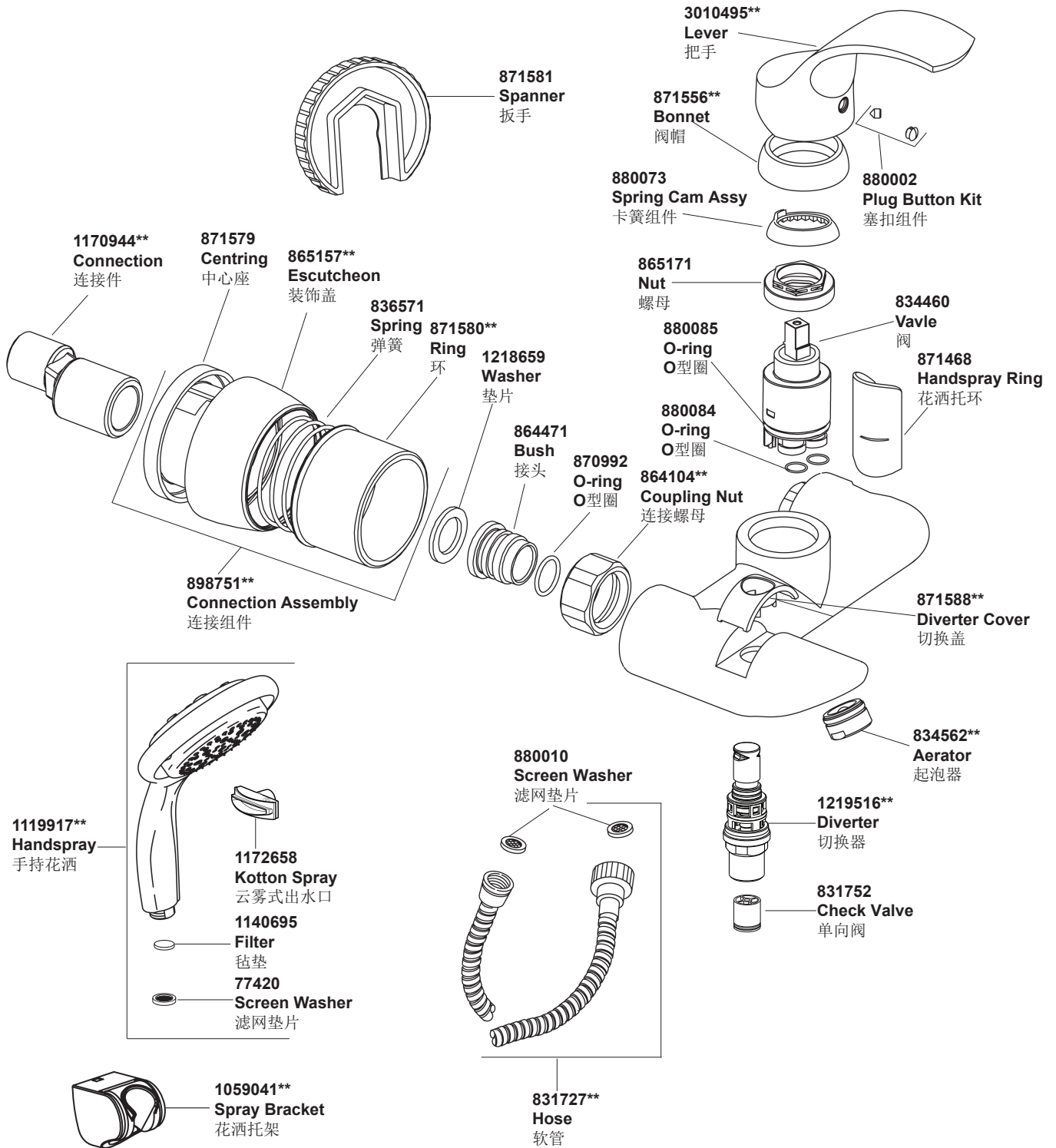
Turn on the main water supply, and check for leaks. Repair as needed.

Remove the handspray and aerator (16). Run hot and cold water through the faucet for about one minute to remove any debris. Check for leaks. Remove any debris from the aerator. Shut off the faucet and reinstall the aerator and handspray.

## OPERATION INSTRUCTION

Rotate the head of the handspray to change the spray patterns as shown.

**7788T-4 7798T-4 挂墙式浴缸花洒龙头**



\*\*订购时请说明颜色编号

\*\*Color code must be specified when ordering