

K-11160T-1/4/8
奥帝安 ODEON

釉面陶瓷入墙式脸盆
VITREOUS CHINA SEMI-RECESSED LAVATORY
安装说明书/切割图
INSTALLATION INSTRUCTIONS/TEMPLATE

520mm

262mm

CUT OUT
切割线

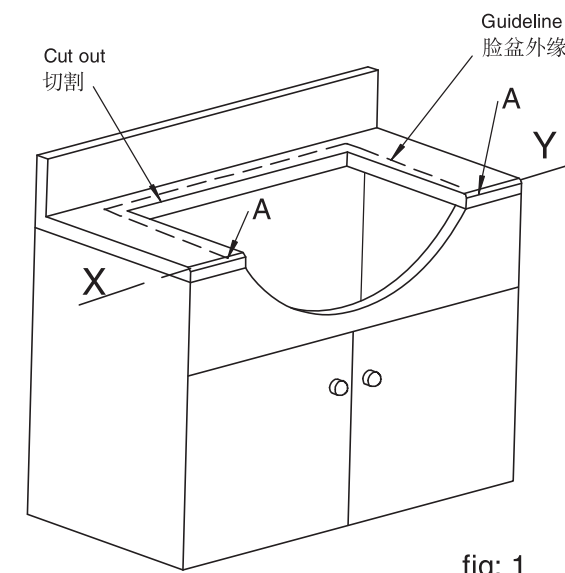


fig: 1
图: 1

- 沿切割线切出样板
- 将样板放在柜面上, 按照标明的线折叠前端
- 用软铅笔沿样板划线
- 按照样板线切割柜台, 注意不要切到前端样板线以下部位(沿线条切割)

- 将洗脸盆暂放进缺口, 居中, 检查切割的尺寸大小
- 沿着洗脸盆外缘在台面上划线
- 取下洗脸盆
- 按照图2的要求, 给A处倒角(图1)

- 在切割口和洗脸盆外缘之间涂上硅胶

- 按照面板上的划线, 安放洗脸盆, 立刻清除洗脸盆周围多余的硅胶

- 按照要求(图3、4)将脸盆固定

- Cut out template where indicated.
- Fold template on dotted line and place on counter top.
- Trace template using a soft lead pencil.
- Cut out the opening in the counter top by carefully following the traced pencil line (Extra care should be used not to go below front edge)
- Temporarily place lavatory into opening and adjust for exact position
- Trace a pencil line around the outside edge of lavatory
- Remove lavatory
- Trim edge from counter top from cut at opening to the guide line as shown in A fig.1 and fig.2 for edge
- Apply ribbon of polyseam seal on counter top to create an even strip from guide line to the opening
- Carefully place lavatory into opening and press down firmly. Use guide line to position properly immediately remove excess polyseam seal with a damp cloth
- Fix lavatory as shown in fig.3 or 4

Recommended edge for A fig.1
图1中A处倒角详解

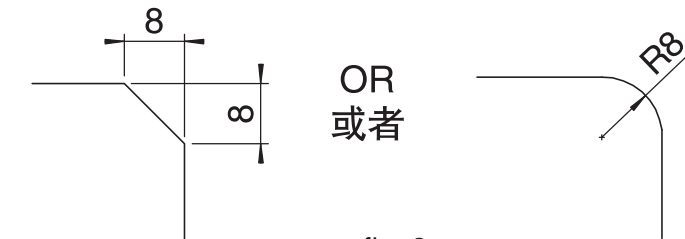
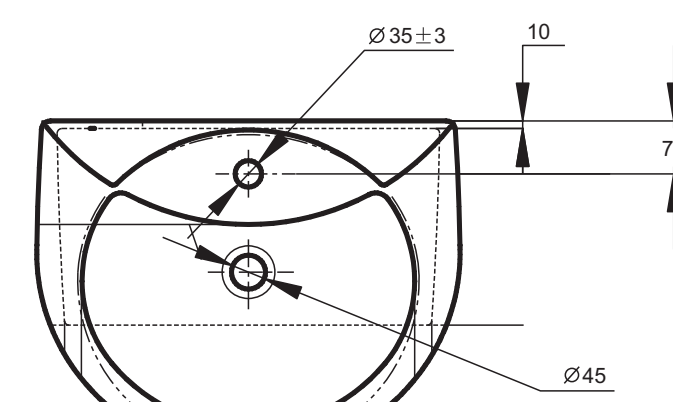


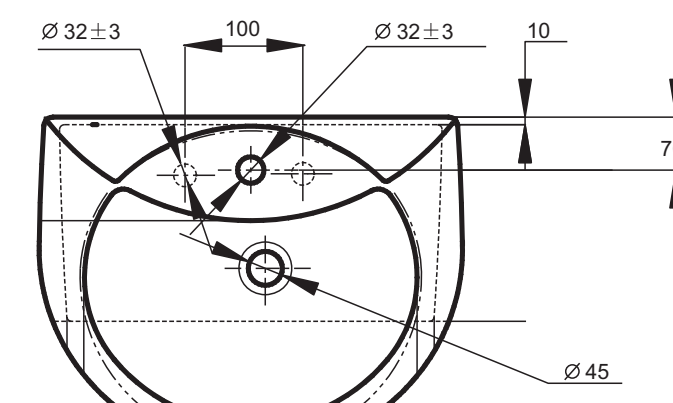
fig: 2
图: 2

PLIER SUIVANT CETTE LIGNE
FOLD ALONG THIS LINE
按照此线折叠

尺寸图

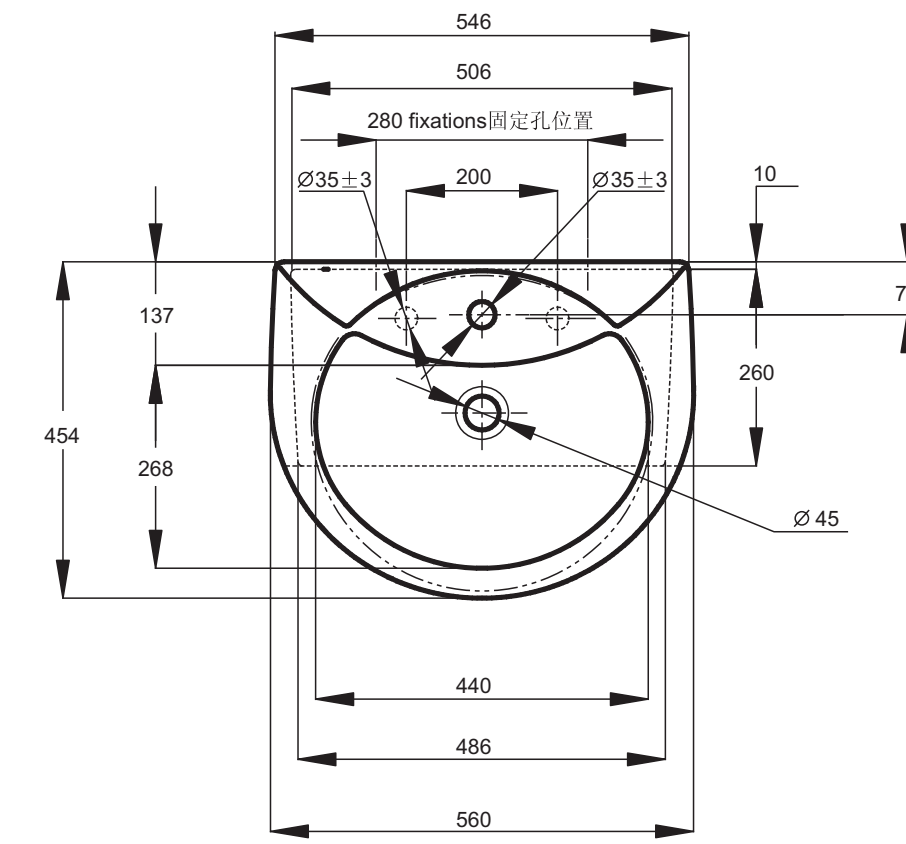
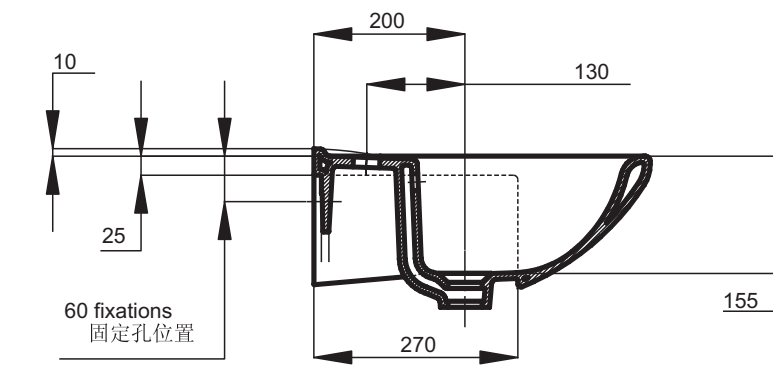


K-11160T-1



K-11160T-4
* 其它尺寸与K-11160T-8相同

ROUGH-IN



K-11160T-8

505mm

X

Y

143mm

Fixation standard
固定孔标准

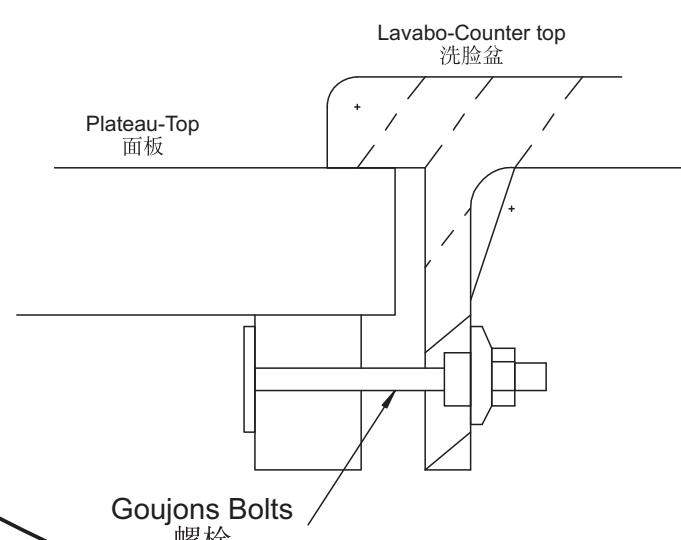


Fig: 3
图: 3

Fixing to wall (under marble)
墙面固定(在大理石下)

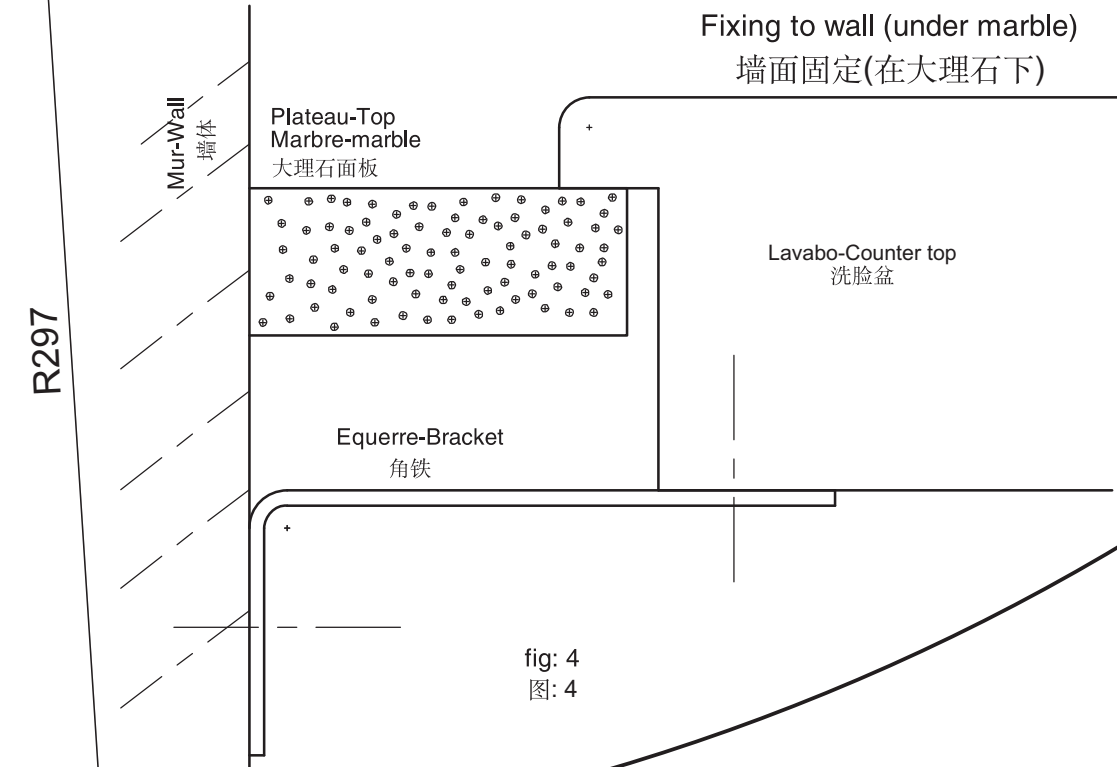


fig: 4
图: 4

安装之前

- 科勒洗脸盆是根据美国标准制造的, 与美式洗脸盆配件相配, 其它洗脸盆配件可能与之不相配。

用户须知
(护理和清洁)

为保持脸盆光洁如新, 须确保每次使用后彻底冲洗干净, 切勿使用腐蚀性的清洁剂, 以免刮花及破坏脸盆的表面。要清除顽固污垢、油渍或柏油, 可使用松油或油漆稀释剂。

陶瓷及浴缸产品及配件担保——一年有限担保

科勒公司担保其陶瓷及浴缸产品及配件在制造工艺上无瑕疵。

本产品自购买之日起即获得本公司一年的质量保证。在质保期内, 凭购物发票, 科勒公司将免费承担由制造原因引起的任何问题。经检查后, 科勒中国有限公司有权决定是修理、更换, 还是作适当的调整。

这里所指的担保, 包括产品, 都已明确地限制在该担保期之内。科勒中国有限公司对其后出现的损坏不承担任何责任。担保也不包括由于使用不当, 和未按照说明书安装造成的损坏。

为获得快捷的担保服务, 请联系您的销售商; 您也可写信给科勒中国有限公司(请出示销售发票原件作为购货凭证):

科勒(中国)投资有限公司
中央客户服务中心
上海市卢湾区淮海中路138号
上海广场19楼
邮编: 200021

这是我们全部的书面担保。

BEFORE YOU BEGIN

- Kohler lavatory is made according to American National Standard that it can match the American lavatory fittings. Any other lavatory fittings may not fit for Kohler lavatory.

IMPORTANT CONSUMER INFORMATION
(CARE AND CLEANING)

To keep your lavatory looking new, make sure you rinse it out thoroughly after each use. DO NOT USE ABRASIVES on this product, as they will scratch and ruin the surface. Stubborn stains, paint, or tar can be removed with turpentine or paint thinner.

Plumbing Fixtures and Fittings Limited One-year Warranty

Kohler plumbing fixtures and fittings are warranted to be free of manufacturing defects.

This product is warranted for one year from date of purchase. Kohler China will be responsible for any problems caused by manufacturing defects provided with the invoice. Kohler China will, at its election, repair, replace or make appropriate adjustment where Kohler China inspection discloses any such defects occurring in normal usage within one year after purchase.

Implied warranties including that of merchantability and fitness for a particular purpose are expressly limited in duration to the duration of this warranty. Kohler China disclaims any liability for special, incidental or consequential damages. Damages to the product caused by misuse, abuse and installation that is not in accordance with the owner's manual are not covered by this warranty.

To obtain quick warranty service, please contact your dealer, or write to Kohler China. (Original sales receipt must be provided as the proof of purchase.)

Kohler China Investment Company Ltd.
Central Customer Service Center
19/F, Shanghai Square, 138 Huai Hai Road,
Luwan District, Shanghai, PRC
Zip Code: 200021

This is our exclusive written warranty.

1065484-T01-A