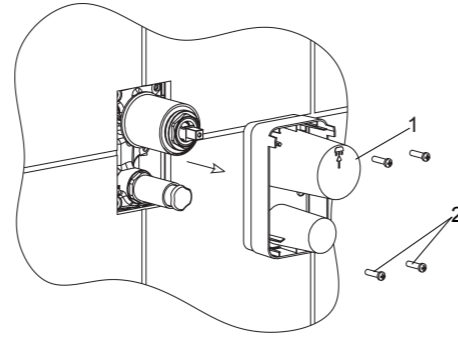




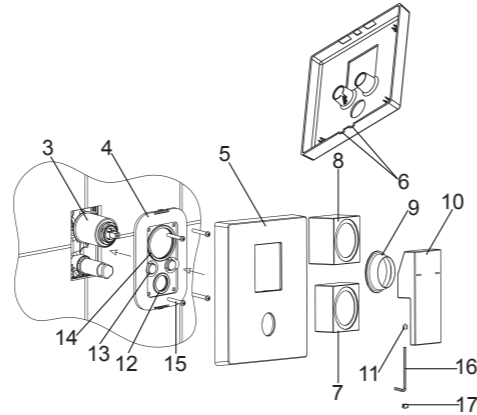
## INSTALLATION

**NOTE:** Install valve 880 according to the rough-in dimensions of 14683-4, Install valve 882 according to the rough-in dimensions of 14682-4.

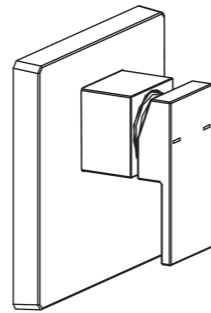


Remove the plastic guard(1) after completed the finished wall.

Slide the cover kit(4) onto the valve(3) with the plugs(13) facing outside(**NOTE:** Don't squeeze out the rubber rings12,14). Push it against the wall. Secure it with the screws(15). Put the faceplate(5) onto the cover kit with slots(6) downwards. Push it against the wall. According to the length of the valve extending from the finished wall, select the sleeve(7) or extension sleeve(8). Screw the bonnet(9) on the valve.



Install handle(10): Tighten the setscrew(11) with hex wrench(16). Press plug button(17) into the hole.



The illustration shown is the correct position of the handle in the off position.

## CLEANING INSTRUCTIONS

All Finishes: Clean the finish with mild soap and warm water. Wipe entire surface completely dry with clean soft cloth. Many cleaners may contain chemicals, such as ammonia, chlorine, toilet cleaner etc. which could adversely affect the finish and are not recommended for cleaning.

Do not use abrasive cleaners or solvents on Kohler faucets and fittings.

# KOHLER®

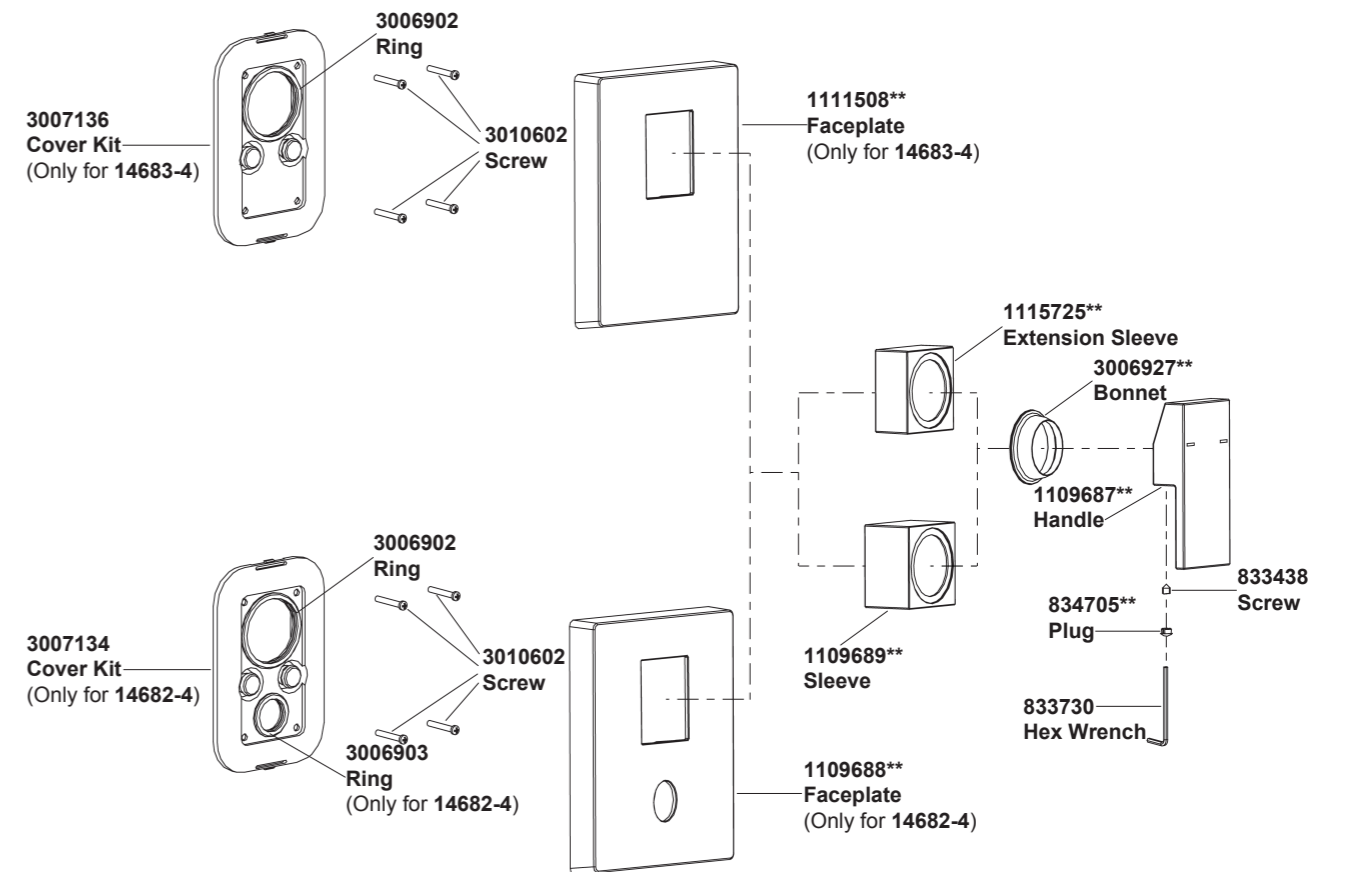
## SERVICE PARTS

# LOURE

## Single Lever Recessed Trim

14682-4 SINGLE LEVER RECESSED BATH & SHOWER TRIM

14683-4 SINGLE LEVER RECESSED SHOWER ONLY TRIM



\*\*Color code must be specified when ordering