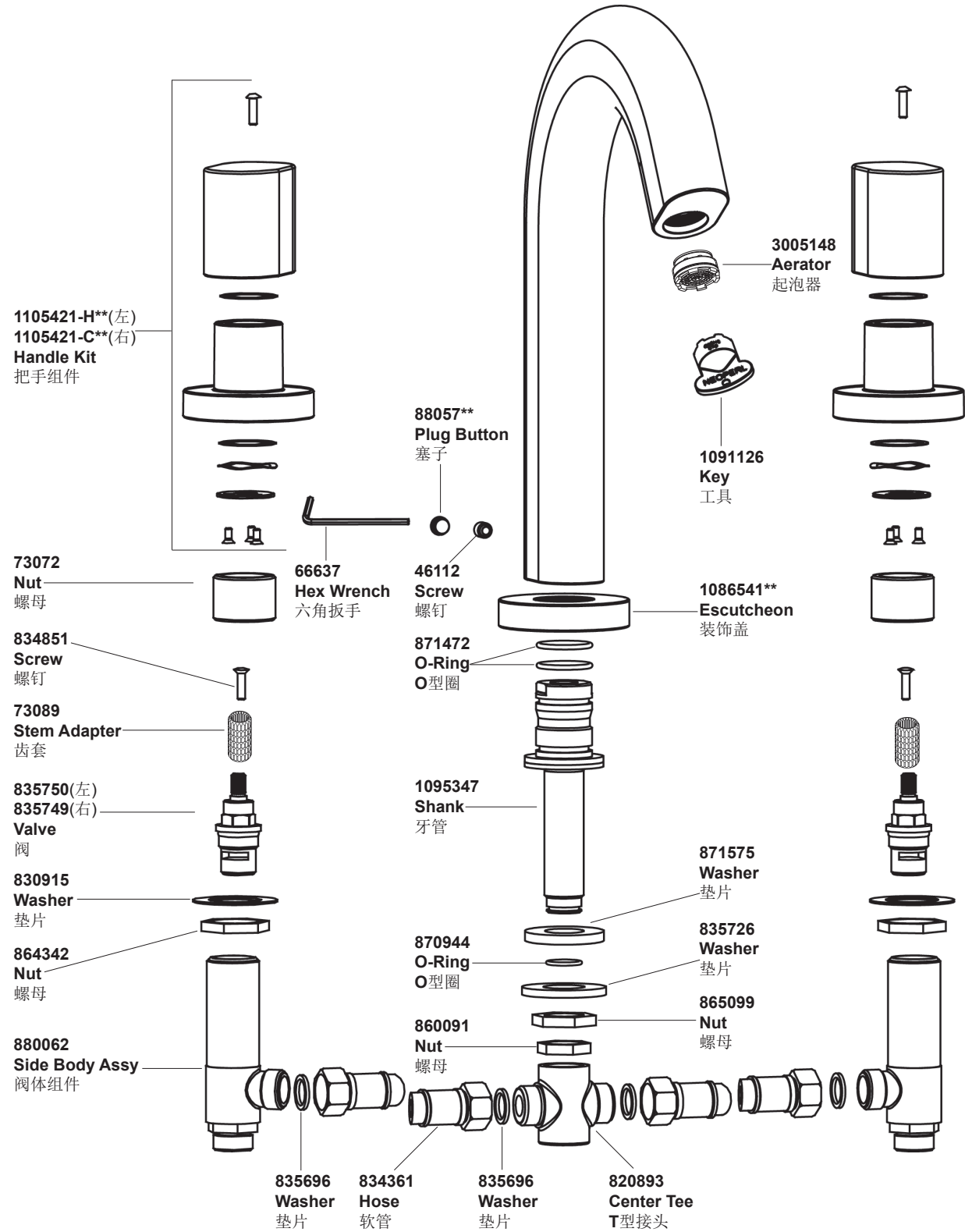


10059T-9 缸边(台面)式浴缸龙头



**订购时请说明颜色编号
**Color code must be specified when ordering

10059T-9 缸边(台面)式浴缸龙头

安装之前

所有的资料是按最新出版的产品资料编写而成。科勒公司保留任何时候不经通知即可改变产品特性、包装或产品可供类型的权利。

说明书包括重要的安装、保养及清洁方面的内容，请把这些资料交给用户阅读。

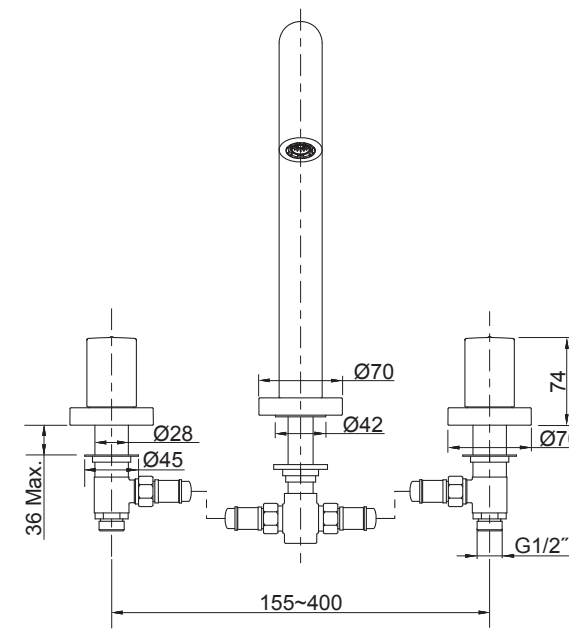
注意事项：

1. 切断供水管路。
2. 检查供水管有无损坏。如需要，进行替换。
3. 遵守当地管路安装条例。
4. 尽可能在安装浴缸之前安装龙头。

使用说明

顺时针旋转左把手打开热水，逆时针旋转右把手打开冷水。

安装尺寸



BEFORE YOU BEGIN

All information is based on the latest product information available at the time of publication. Kohler Co. reserves the right to make changes in product characteristics, packaging, or availability at any time without notice.

Please leave these instructions for the consumer. They contain important information.

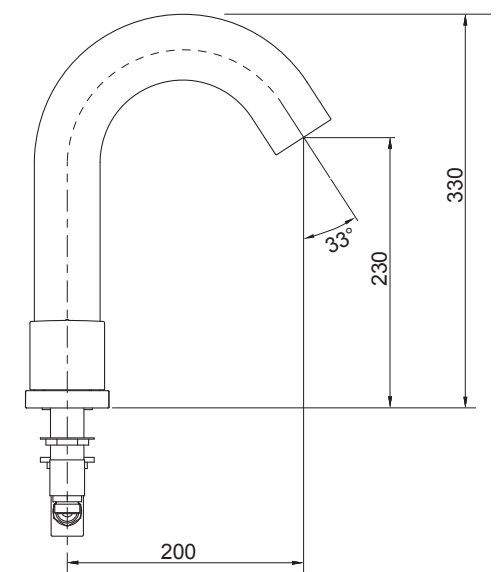
NOTES:

1. Shut off the water supplies to the fitting.
2. Inspect the supply tubing for damage. Replace as necessary.
3. Observe local plumbing codes.
4. If possible, install this faucet before installing the tub.

HANDLE OPERATION

Turn on the left handle clockwise is for hot water, turn on the right handle counter-clockwise is for cold water.

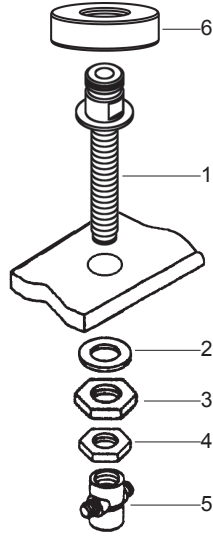
ROUGH-IN DIMENSIONS



安装步骤

如何安装牙管

从牙管(1)上依次取下T型接头(5)、螺母(4)、螺母(3)和垫片(2)。将带有装饰盖(6)的牙管插入浴缸中孔。



安装垫片(2)、螺母(3)、螺母(4)，上下同时用力拧紧螺母(3)，然后再拧紧螺母(4)。

将T型接头用手旋紧到牙管上。

INSTALLATION

How to Install the Shank

Remove the parts from the shank(1) and retain them according to the following order: supply tee(5), nut(4), nut(3) and washer(2). Insert the shank with escutcheon(6) into the center hole of tub.

Install the washer(2), nut(3), nut(4), and wrench to tighten nut(3), then tighten nut(4).

Thread the supply tee to the shank until hand-tight.

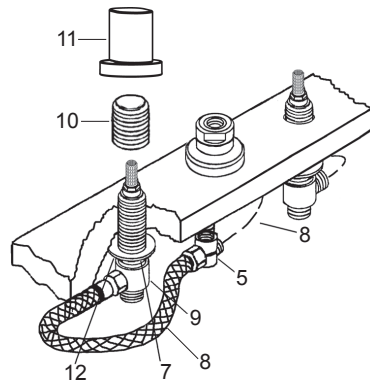
如何安装阀体和把手组件

从阀体组件(9)上取下螺母(10)。将垫片放入软管(8)两端，如图示用软管连接阀体组件和T型接头(5)。

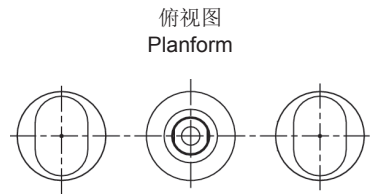
注意：软管(8)只能用于此处。

从台面或浴缸边缘的底部，将带有垫圈(12)和螺母(7)的阀体穿过安装孔。

注意：为了安装方便，可以适当的旋松T型接头，但不要超过180度。安装必须保证软管水流顺畅。



将螺母(10)手动旋紧到阀体上。在把手组件(11)底面沿周围涂上一圈密封油灰或其它密封胶，将把手组件旋到阀体(9)上，直至螺母全部沉入把手组件内螺纹孔。**注意：**面向龙头时，贴有红色标记的阀体装在左侧。调整把手，阀芯处于关闭状态时，把手状态如图所示。



用扳手锁紧螺母(7)。

How to Install the Side Bodies and Handle Kits

Remove the nuts(10) from the side bodies(9). Put the washers into the nuts of the hoses(8). Connect the side bodies and supply tee(5) with hoses as shown in the figure.

NOTE: The hoses(8) should be only used here.

Insert side bodies with washers(12), and nuts(7) through mounting holes from the underside of the deck or bath tub rim.

NOTE: For easy installation, loosen the supply tee properly by unscrewing it, but not more than 180 degrees. Ensure that the water inside the hoses flow smoothly.

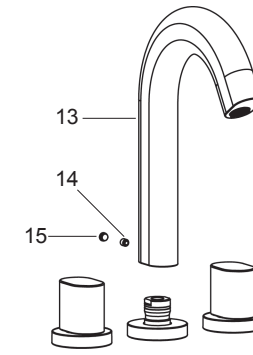
Tighten nuts(10) onto each side body by hand. Apply a ring of plumbers putty or other sealants around the underside of handle kits(11). Thread the handle kits to the side bodies(9) until the nuts thoroughly embed into the thread holes. **NOTE:** The handle with the red mark on the left when facing the front of the faucet. Adjust handles, the configuration shown is the correct position for the installed handles when closed.

Tighten nuts(7) by wrench.

如何安装出水口

将出水口(13)插入牙管，直至与装饰盖接触。保持出水口朝前，用提供的六角扳手锁紧螺钉(14)以固定出水口，然后将塞子(15)塞入螺钉孔。

出水口及把手安装完毕，处于关闭状态的位置如图所示。



How to Install the Spout

Insert the spout(13) to the shank until it contacts the escutcheon. Keeping the spout frontwards, tighten the screw(14) by hex wrench provided to secure the spout, then insert the plug button(15) into rear hole.

The following configuration shown is the correct position for the installed spout.

安装结果检查

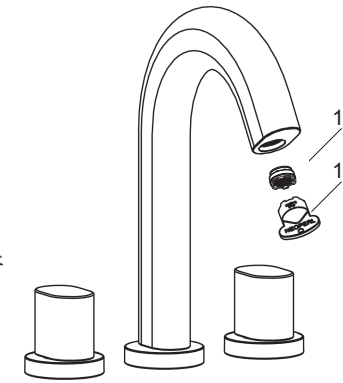
确保已拧紧所有连接处。

确保把手在关闭的位置。

用提供的工具(17)取下起泡器(16)。

打开排水器，打开主供水源，检查并修理有漏水的接口。

打开冷热水阀，使水流出出水口，除掉杂物。关闭阀，重新装回起泡器。



INSTALLATION CHECKOUT

Ensure that all connections are tight.

Ensure that the handles are in the off position.

Remove the aerator(16) by key(17, provided).

Turn the drain. Turn on the main water supply and check for leaks. Repair as required.

Open both hot and cold valves and run water through the spout to remove any debris. Turn off the valves. Reinstall the aerator.

清洗说明

适用于所有加工处理过的表面：以中性肥皂水清洗镀层表面，再以干净的软布彻底擦干整个表面，有许多清洁剂，比如氨水、去污粉及洁厕灵等，会对电镀表面造成伤害，切忌使用。

有磨损性的清洁用具或清洁剂也不可适用于科勒牌的水龙头及其配件上。

CLEANING INSTRUCTIONS

All Finishes: Clean the finish with mild soap and warm water. Wipe entire surface completely dry with clean soft cloth. Many cleaners may contain chemicals, such as ammonia, chlorine, toilet cleaner etc. which could adversely affect the finish and are not recommended for cleaning.

Do not use abrasive cleaners or solvents on Kohler faucets and fittings.