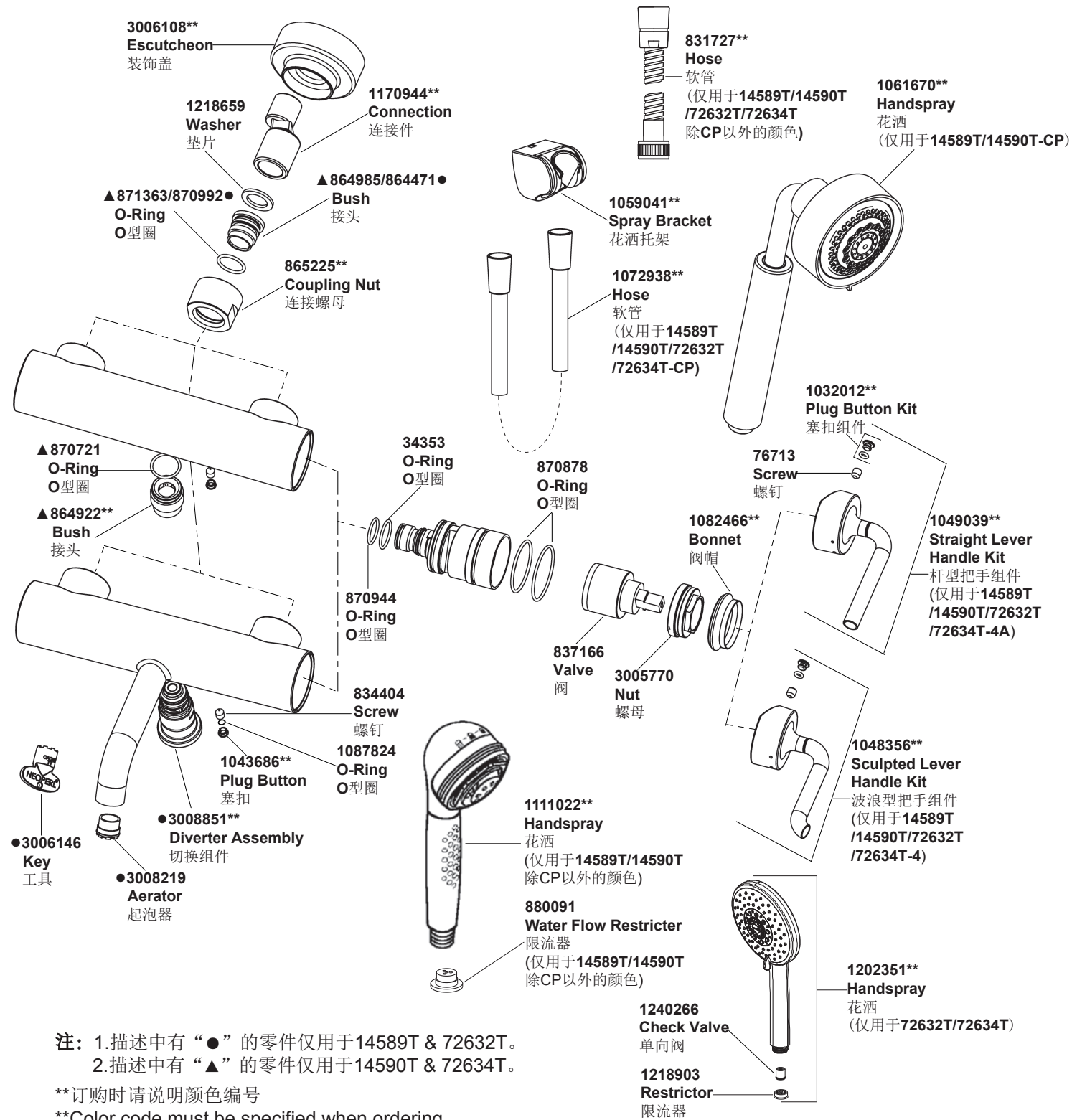


14589T 72632T 挂墙式浴缸花洒龙头  
14590T 72634T 挂墙式花洒龙头



注：1.描述中有“●”的零件仅用于14589T & 72632T。  
2.描述中有“▲”的零件仅用于14590T & 72634T。

\*\*订购时请说明颜色编号

\*\*Color code must be specified when ordering

14589T 72632T 挂墙式浴缸花洒龙头  
14590T 72634T 挂墙式花洒龙头

### 安装之前

所有的资料是按最新出版的产品资料编写而成。科勒公司保留任何时候不经通知即可改变产品特性、包装或产品可供类型的权利。

说明书包括重要的安装、保养及清洁方面的内容，请把这些资料交给用户阅读。

#### 注意事项：

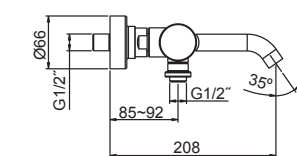
- 一定要先彻底冲洗供水管以清楚管道中的杂质。
- 切换器正常工作的最小压力为0.05MPa(0.5bar)。
- 花洒最高工作压力：0.5MPa(5bar)。水压超过0.5MPa(5bar)须安装减压阀。花洒最高工作温度及环境温度：60°C。请特别注意花洒同花洒连接的臂管须远离浴霸，否则可能损坏花洒及其密封件，甚至对使用者造成伤害。

### 使用说明

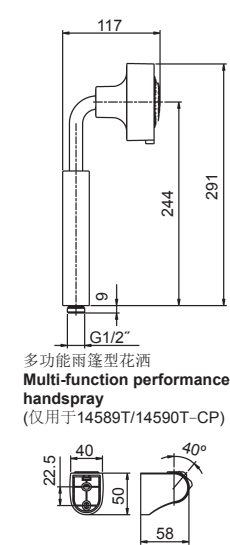
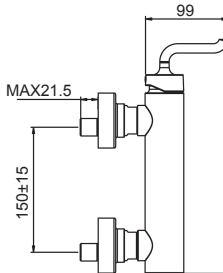
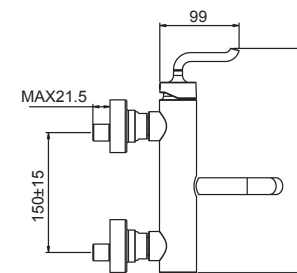
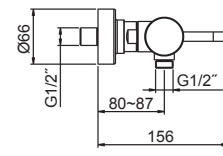
将手柄轻轻提起，顺时针旋转为热水，逆时针旋转为冷水。

### 安装尺寸

14589T 72632T



14590T 72634T



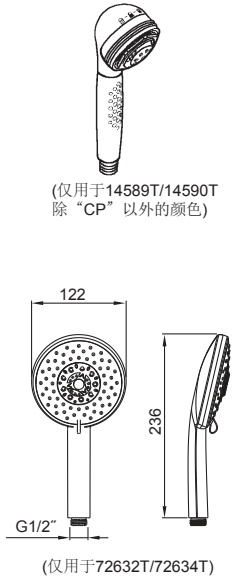
多功能雨篷型花洒  
Multi-function performance handspray  
(仅用于14589T/14590T-CP)

把手选择  
Handle Selection



14589T/14590T-4  
72632T/72634T-4  
波浪型把手  
Sculpted Lever Handle

14589T/14590T-4A  
72632T/72634T-4A  
杆型把手  
Straight Lever Handle



(仅用于14589T/14590T 除“CP”以外的颜色)

(仅用于72632T/72634T)

### BEFORE YOU BEGIN

All information is based on the latest product information available at the time of publication. Kohler Co. reserves the right to make changes in product characteristics, packaging, or availability at any time without notice. Please leave these instructions for the consumer. They contain important information.

#### NOTES:

- Flush the water supply pipes thoroughly to remove debris.
- The minimum inlet water pressure for the diverter is 0.05MPa(0.5bar).
- The highest working pressure for handspray is 0.5MPa(5bar). If it exceeds 0.5MPa(5bar), a pressure reducer is needed. The highest water and environment temperature is 60°C. Please keep handspray, showerhead and the shower arm away from heater, or it may become damaged and cause injury to the user.

### HANDLE OPERATION

Lift the handle gently. Turn clockwise for hot water, turn counter-clockwise for cold water.

### ROUGH-IN DIMENSIONS

## 安装说明

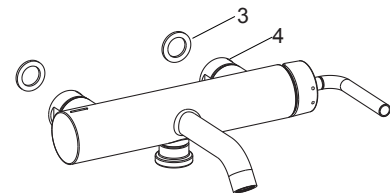
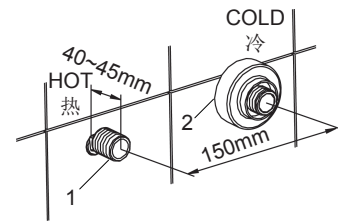
为使安装顺利，G1/2"内螺纹管道配件(客户自备)应已装好，预留150mm的间距，保持水平，并深浅合适。

彻底冲洗供水管，以清除管路中的杂质。

在两个接头(1)涂上螺纹密封膏或缠绕密封胶带，然后旋入冷热供水管中。

调节两个接头，使其中心距离为150mm并保持同一水平。它们凸出墙面的尺寸应在40到45mm之间。将装饰罩(2)套入接头，紧贴装修后的墙壁。

将垫片(3)放入螺母(4)中，把螺母旋到接头(1)上，用带状扳手锁紧。



## INSTALLATION

To perform installation, installer must provide G1/2" female supply fittings(not provided), spaced 150mm apart, level and keep proper position in the wall.

Flush the water supply pipes thoroughly to remove debris.

Apply appropriate thread sealants or thread tape on connectors. Install the two offset connectors(1) into the hot and cold supply pipes.

Adjust center-to-center distance between the connectors to 150mm and level. They should extend 40 to 45mm from finished wall. Thread escutcheons(2) onto the connectors until they contact the finished wall.

Put the washers(3) into the nuts(4). Thread the nuts onto the connectors(1) and tighten by wrench.

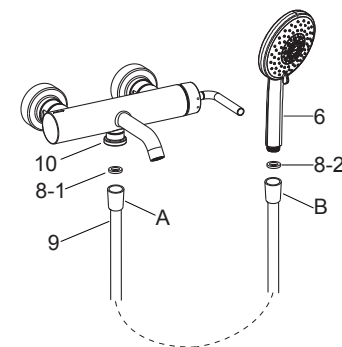
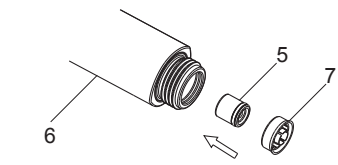
## 如何安装花洒

**注意：**对于14589T和72632T，需要先去掉切换器上的保护套。

对于72632T和72634T，将单向阀(5)按图示方向装入手持花洒(6)。如需要，将限流器(7)塞入手持花洒进水口。

**注意：**单向阀带O型圈一端必须朝外(如图所示方向)。

垫片(8-1，厚3mm)装入到软管(9)的A端，然后与出水口(10)连接。将垫片(8-2，厚5mm)装入软管的B端接到手持花洒上。



## How To Install The Handspray

**Notes:** For 14589T & 72632T, remove the guard on the diverter firstly.

For 72632T & 72634T, put the check valve(5) into the handspray(6) inlet. Put the restrictor(7) into the handspray inlet if needed.

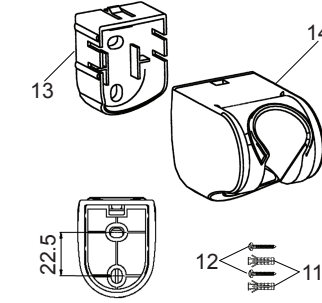
**Note:** Keep the O-ring of the check valve outward.

Put the washer(8-1, 3mm) into end A of the hose(9), and then connect to the faucet outlet(10). Put the washer(8-2, 5mm) into end B of the hose, and connect hose to the handspray.

## 如何安装托架

在墙面选一合适的位置来安装托架。

根据孔距在墙面标记位置，依据胀塞(11)直径打孔，安装胀塞。旋紧螺钉(12)，使底座(13，平面朝上)固定紧贴墙壁。将托架(14)扣在底座上，使凸台嵌入豁口。把花洒挂在托架上。



## How To Install The Bracket

Determine a suitable location on the finished wall to install the bracket.

Mark bracket base mounting hole locations on the wall according to the dimension. Drill two holes in the finished wall, the holes should match the anchors(11). Install the anchors. Tighten screws(12) to secure bracket base(13) to the finished wall. Put the bracket(14) onto the bracket base and lock by stopper. Hang the handspray on the shower bracket.

## 安装结果检查

检查并确保所有的衔接处都已拧紧。

确保手柄在关闭位置。

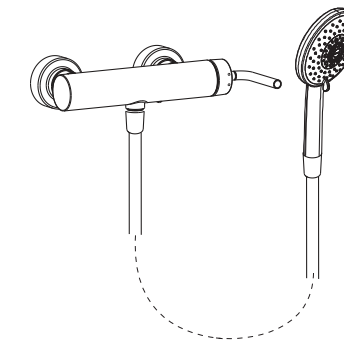
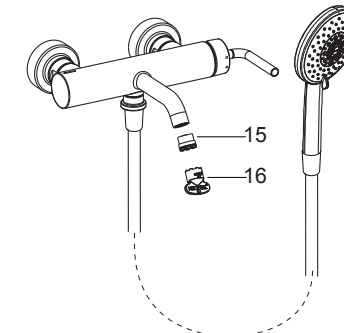
打开排水系统和主要供水源，检查并修理有漏水的接口。

### 浴缸花洒龙头：

取下花洒并用附带的工具(16)取下整流器(15)。打开冷热水，让水流出约一分钟以清除杂质。检查渗漏，清洗整流器。关闭水龙头，并装回整流器和花洒。

### 花洒龙头：

取下花洒。打开冷热水，让水流出约一分钟以清除杂质。检查渗漏。关闭水龙头，并装回花洒。



## INSTALLATION CHECKOUT

Ensure that all coupling nuts are tighten.

Ensure that the handle is in the off position.

Turn on the main water supply, and check for leaks. Repair as needed.

### Bath & Shower Faucet:

Remove the handspray. Remove the stream breaker(15) by key(16). Run hot and cold water through the faucet for about one minute to remove any debris. Check for leaks. Remove any debris from the stream breaker. Shut the faucet off. Reinstall the stream breaker and handspray.

### Shower Faucet:

Remove the handspray. Run hot and cold water through the faucet for about one minute to remove any debris. Check for leaks. Shut the faucet off. Reinstall the handspray.

## 清理说明

适用于所有加工处理过的表面：以中性肥皂水清洗镀层表面，再以干净的软布彻底擦干整个表面，许多清洁剂，比如氨水、去污粉及洁厕灵等，会对电镀表面造成伤害，切忌使用。

有磨损性的清洁用具或清洁剂也不可适用于科勒牌的水龙头及其配件上。

## CLEANING INSTRUCTIONS

All Finishes: Clean the finish with mild soap and warm water. Wipe entire surface completely dry with clean soft cloth. Many cleaners may contain chemicals, such as ammonia, chlorine, toilet cleaner etc. which could adversely affect the finish and are not recommended for cleaning.

Do not use abrasive cleaners or solvents on Kohler faucets and fittings.