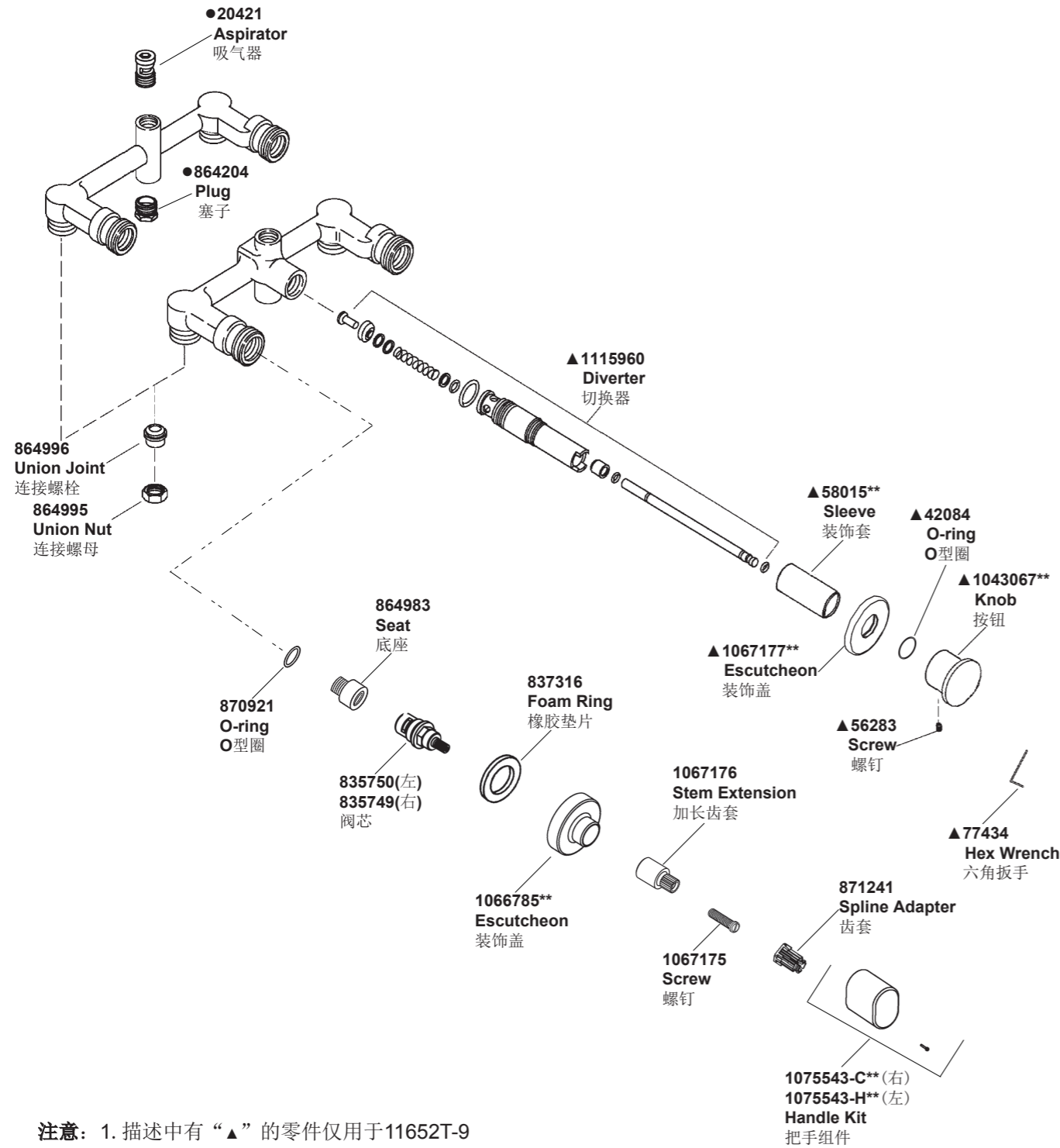


11652T-9 入墙式切换阀体组件
11654T-9 入墙式阀体组件



注意: 1. 描述中有“▲”的零件仅用于11652T-9
2. 描述中有“●”的零件仅用于11654T-9

**订购时请说明颜色编号
**Color code must be specified when ordering

11652T-9 入墙式切换阀体组件
11654T-9 入墙式阀体组件

安装之前

所有的资料是按最新出版的产品资料编写而成。科勒公司保留任何时候不经通知即可改变产品特性、包装或产品可供类型的权利。

说明书包括重要的安装、保养及清洁方面的内容，请把这些资料交给用户阅读。

注意事项:

1. 切断供水管路。
2. 遵守所有当地管路安装及建筑条例。
3. 在提示之前不要取下保护套。
4. 切换器正常工作最小压力为0.05MPa(0.5bar)。
5. 螺母锁紧扭矩65Nm~100Nm。埋墙前测试安装连接部位是否有渗漏，根据需要修理之。
6. 混合栓进水螺纹为Rc1/2"。
7. 本产品只接受水压测试，测试前需先排空管路与龙头之间的空气。测试水压不超过0.8MPa(8bar)，时间不超过30分钟。

BEFORE YOU BEGIN

All information is based on the latest product information available at the time of publication. Kohler Co. reserves the right to make changes in product characteristics, packaging, or availability at any time without notice.

Please leave these instructions for the consumer. They contain important information.

NOTE:

1. Shut off the water supplies to the fitting.
2. Observe all local plumbing and building codes.
3. Do not remove the guards until instructed to do so.
4. The minimum inlet water pressure for the diverter is 0.05MPa(0.5bar).
5. Tighten the nuts to 65Nm~100Nm. Check for leaks before covering the pipes, repairs as needed.
6. Inlet threads of yoke are Rc1/2".
7. Please ensure only apply water pressure test on the product, and empty the air in pipe and faucet thoroughly before the test. Please ensure test pressure below 0.8MPa (8 bar) and test duration within 30 minutes.

使用说明

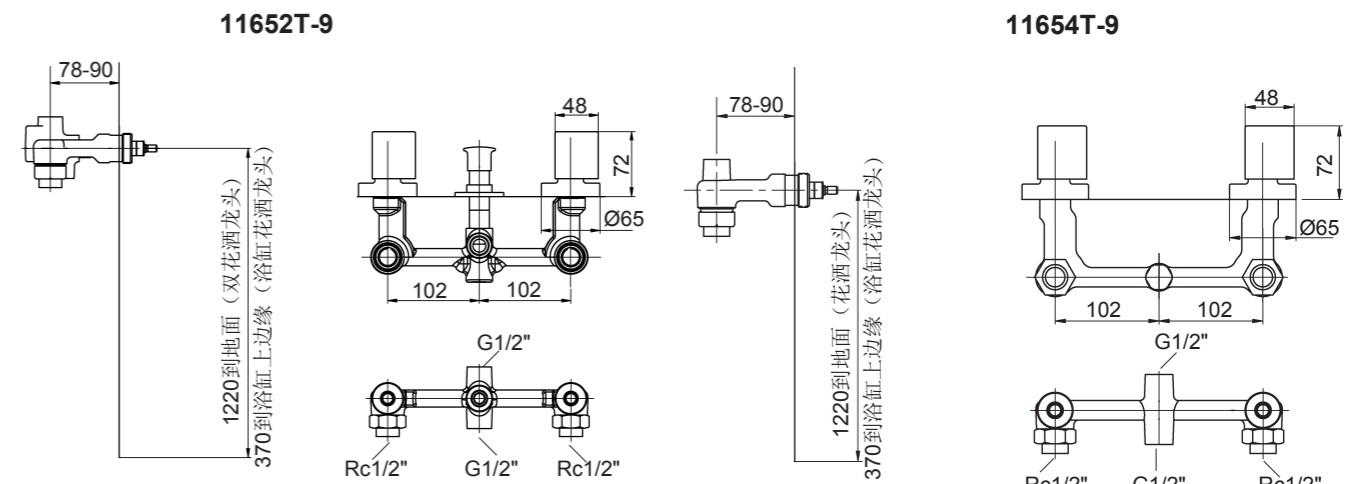
顺时针旋转左把手打开热水，逆时针旋转右把手打开冷水。

HANDLE OPERATION

Turn on the left handle clockwise is for hot water, turn on the right handle counter-clockwise is for cold water.

安装尺寸

ROUGH-IN DIMENSIONS



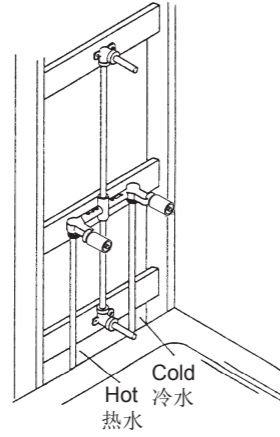
安装步骤

如何安装支撑架

图中所示的阀体与管路用于浴缸花洒龙头。按要求安装支撑架。

注意：对于11654T-9

为了确保吸气器的正常工作，从阀体下出水接口至龙头出水口之间不能使用内径小于12mm的管或接头。



INSTALLATION

How To Install The Support Frame

The yoke and piping configuration shown is for the bath and shower version. Install the framing as required.

NOTE: For 11654T-9

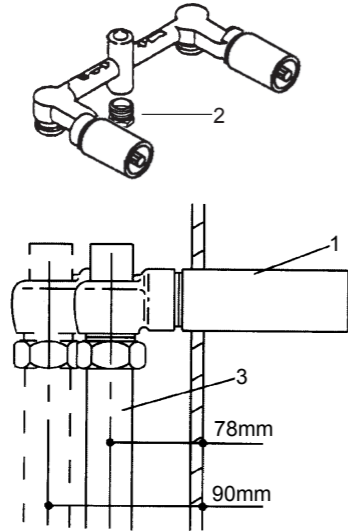
To ensure the correct operation of the aspirator, do not use pipe or connectors with less than 12mm inside diameter between spout and connectors on the body.

如何安装混合栓

勿在此时取下保护套(1)。

对于11654T-9，若安装花洒龙头，在塞子(2)的螺纹处缠绕足以密封的密封胶带或涂合适的密封胶，将塞子安装到本体上标有“DOWN”一侧孔中。

安装本体，使本体中心线距墙表面的距离在78mm至90mm之间。安装Rc1/2"冷热水进水管(3)。注意：贴红圆一侧朝左，安装热水管。



How To Install The Yoke

Don't remove plastic guard(1) at this time.

For 11654T-9, if install shower faucet, apply tape or thread sealant to the threads of the plug(2). Install it into the yoke hole on the side with mark "DOWN".

Rough in the yoke to be 78mm minimum to 90mm maximum when measured from the centerline of the yoke to the outside of the finished wall. Install Rc1/2" hot and cold supply tubing(3). NOTE: Make sure the left supply pipe is the hot supply and connected to the end with red mark.

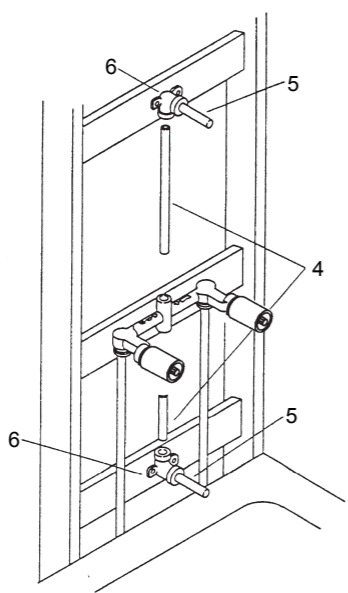
将G1/2"水管(4)和弯头(6)安装到浴盆和淋浴出水处，并使管路固定在支撑物上。

把临时管段(5)接到浴盆和淋浴管路弯头上。管段长度至少152mm。

若安装花洒龙头，不需要安装浴盆出水口部分。

如果阀芯和切换器因焊接管路而被拆下，这时应重新装回。

堵住两个临时管段，将冷热水交替打开，检查有无渗漏。然后关闭阀门。



Install G1/2" pipes(4) and ells(6) to the bath and shower outlets. Secure the bath and shower pipes to the support.

Install temporary nipples(5) in the bath and shower ells. Be sure the length of the nipples in 152mm at least.

If install shower faucet, don't need to install spout.

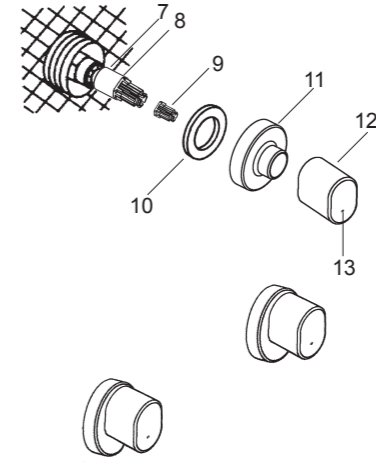
If the valve units and diverter were removed for soldering, reinstall the valves and diverter.

Install caps on bath and shower nipples. Cycle the valve through its hot and cold water range. Inspect for leaks. Turn the valves off.

如何安装把手

墙壁装修好以后，可从阀体上取下保护套并丢掉。

把齿套(9)按在阀轴(8)上，将垫片(10)嵌入装饰盖(11)底部的凹槽内，将装饰盖旋到阀体(7)上，直到与墙面接触。将阀旋转至关闭位置，如图示压装把手(12)。色塞(13)左红右蓝。



把手安装完毕，处于关闭状态时的位置如图所示。

How To Install The Handles

Remove and discard the guards after completed the finished wall.

Press the spline adapter(9) onto the valve stem(8). Put washer(10) into the groove of the escutcheon(11), thread the escutcheon to the yoke(7) until it contacts the finished wall. Turn the valves to close position, press the handles(12) onto the bush assemblies as the figure shown that the plug(13) in the bottom. And ensure the handle with red plug on the left.

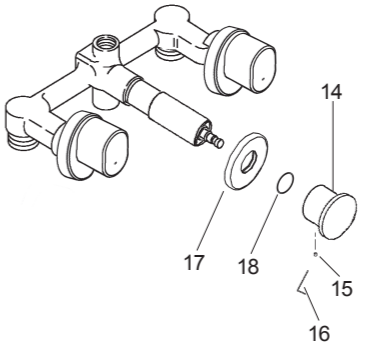
The configuration shown is the correct position of the handle in closed position.

如何安装装饰罩和切换按钮

仅对11652T-9

墙壁装修好以后，将切换器上的保护套扔掉。

在装饰罩(17)(内孔装有O型圈(18))底部边缘涂一圈油灰，套在切换器上，后推使其与墙壁接触。将切换按钮(14)装到切换轴上，保持“KOHLER”标水平，用六角扳手(16)锁紧螺钉(15)。



How To Install Escutcheon And Diverter Knob

Only for 11652T-9

Remove and discard the guards after completed the finished wall.

Apply a ring of plumbers putty around the edge of the escutcheon(17) with O-ring(18) and slide it on the diverter. Push the escutcheon against the wall. Fit the diverter knob(14) onto the diverter spindle, and keep "KOHLER" logo level. Tighten screw(15) with hex wrench(16) to secure the knob.

清洗说明

适用于所有加工处理过的表面：以中性肥皂水清洗镀层表面，再以干净的软布彻底擦干整个表面，许多清洁剂，比如氨水、去污粉及洁厕灵等，会对电镀表面造成伤害，切忌使用。

有磨损性的清洁用具或清洁剂也不可适用于科勒牌的水龙头及其配件上。

CLEANING INSTRUCTIONS

All Finishes: Clean the finish with mild soap and warm water. Wipe entire surface completely dry with clean soft cloth. Many cleaners may contain chemicals, such as ammonia, chlorine, toilet cleaner etc, which could adversely affect the finish and are not recommended for cleaning.

Do not use abrasive cleaners or solvents on Kohler faucets and fittings.