

产品编号	阀芯(左)	阀芯(右)
11649T-4M**	837206	837207
11650T-4M**	837206	837207
11650T-4P**	1094573	1094572
11650T-3**	835750	835749

**订购时请说明颜色编号
**Color code must be specified when ordering

11649T 入墙式切换阀体组件 11650T 入墙式阀体组件	11649T 入墙式切换阀体组件 11650T 入墙式阀体组件
安装之前	BEFORE YOU BEGIN
<p>所有的资料是按最新出版的产品资料编写而成。科勒公司保留任何时候不经通知即可改变产品特性、包装或产品可供类型的权利。</p> <p>说明书包括重要的安装、保养及清洁方面的内容，请把这些资料交给用户阅读。</p> <p>注意事项：</p> <ol style="list-style-type: none"> 1. 切断供水管路。 2. 遵守所有当地管路安装及建筑条例。 3. 在提示之前不要取下保护套。 4. 切换器正常工作最小压力为0.05MPa(0.5bar)。 5. 螺母锁紧扭矩65Nm~100Nm。埋墙前测试安装连接部位是否有渗漏，根据需要修理之。 6. 混合栓进水螺纹为Rc1/2"。 7. 本产品只接受水压测试，且测试前需先排空管路与龙头之间的空气。测试水压不超过0.8MPa(8bar)，时间不超过30分钟。 	<p>All information is based on the latest product information available at the time of publication. Kohler Co. reserves the right to make changes in product characteristics, packaging, or availability at any time without notice.</p> <p>Please leave these instructions for the consumer. They contain important information.</p> <p>NOTE:</p> <ol style="list-style-type: none"> 1. Shut off the water supplies to the fitting. 2. Observe all local plumbing and building codes. 3. Do not remove the guards until instructed to do so. 4. The minimum inlet water pressure for the diverter is 0.05MPa(0.5bar). 5. Tighten the nuts to 65Nm~100Nm. Check for leaks before covering the pipes, repairs as needed. 6. Inlet threads of yoke are Rc1/2". 7. Please ensure only apply water pressure test on the product, and empty the air in pipe and faucet thoroughly before the test. Please ensure test pressure below 0.8MPa (8 bar) and test duration within 30 minutes.
使用说明	HANDLE OPERATION
<p>逆时针旋转左把手为开，顺时针旋转右把手为开(一字把手)。顺时针旋转左把手为开，逆时针旋转右把手为开(十字把手)。</p>	<p>Left handle opens with one-quarter turn counter-clockwise. Right handle opens with one-quarter turn clockwise(Lever Handle). Left handle opens with one-quarter turn clockwise. Right handle opens with one-quarter turn counter-clockwise(Cross Handle).</p>
安装尺寸	ROUGH-IN DIMENSIONS

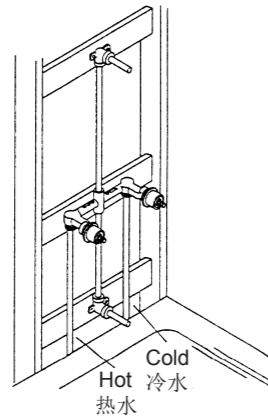
安装步骤

如何安装支撑架

图中所示的本体与管路用于浴缸花洒龙头。按要求安装支撑架。

注意：对于11650T

为了确保吸气器正常工作，从本体下出水接口至龙头出水口之间不能使用内径小于12mm的管或接头。



INSTALLATION

How to Install the Support Frame

The yoke and piping configuration shown is for the bath and shower version. Install the framing as required.

NOTE: For 11650T

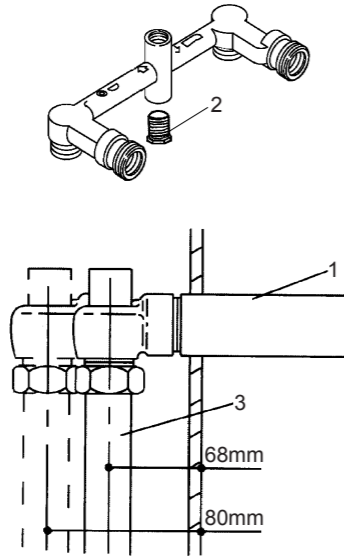
To ensure the correct operation of the aspirator, do not use pipe or connectors with less than 12mm inside diameter between spout and connectors on the body.

如何安装混合栓

勿在此时取下保护套(1)。

对于11650T，若安装花洒龙头，在塞子(2)的螺纹处缠绕足以密封的密封胶带或涂适合的密封胶，将塞子装于本体上标有“DOWN”一侧的孔中。

安装本体，使本体中心线距墙表面的距离在68mm至80mm之间。安装R1/2"冷热水进水管(3)。注意：贴红圆一侧朝左，安装热水管。



How to Install the Yoke

Don't remove plastic guard(1) at this time.

For 11650T, if install shower faucet, apply tape or thread sealant to the threads of the plug(2). Install it into the yoke hole on the side with mark "DOWN".

Rough in the yoke to be 68mm minimum to 80mm maximum when measured from the centerline of the yoke to the outside of the finished wall. Install R1/2" hot and cold supply tubing(3). NOTE: Make sure the left supply pipe is the hot supply and connected to the end with red mark.

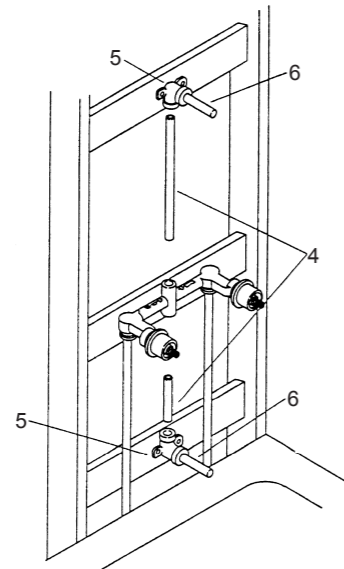
将G1/2"水管(4)和弯头(5)安装到浴盆和淋浴出水处，并使管路固定在支撑物上。

把临时管段(6)接到浴盆和淋浴管路弯头上。管段长度至少152mm。

若安装花洒龙头，不需要安装浴盆出水口部分。

如果阀芯和切换器因焊接管路而被拆下，这时应重新装回。

堵住两个临时管段，将冷热水交替打开，检查有无渗漏。然后关闭阀门。



Install G1/2" pipes(4) and ells(5) to the bath and shower outlets. Secure the bath and shower pipes to the support.

Install temporary nipples(6) in the bath and shower ells. Be sure the length of the nipples is 152mm at least.

If install shower faucet, don't need to install spout.

If the valve units and diverter were removed for soldering, reinstall the valves and diverter.

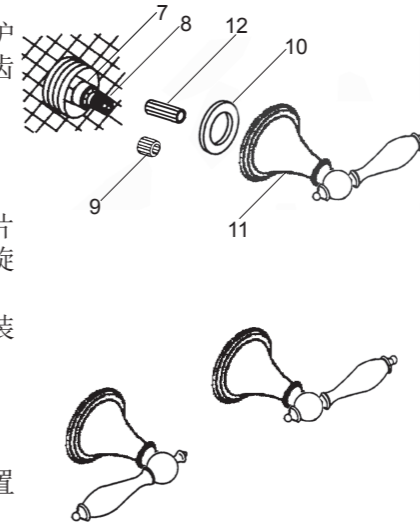
Install caps on bath and shower nipples. Cycle the valve through its hot and cold water range. Inspect for leaks. Turn the valves off.

如何安装把手

墙壁装修好以后，从阀体上取下保护套并丢掉。根据阀柄伸出长度选择齿套(9)或加长齿套(12)。

把所选齿套按在阀轴(8)上，将垫片(10)套到阀体(7)上，将把手组件(11)旋到阀体上，直到装饰盖接触墙面(注：面向龙头时，带红色垫片的把手安装在左侧)。

把手安装完毕，处于关闭状态的位置如图所示。



How to Install the Handles

Remove and discard the guards after completed the finished wall. According to the length of the valve stem extending beyond the wall, select the spline adapter(9) or stem extension(12).

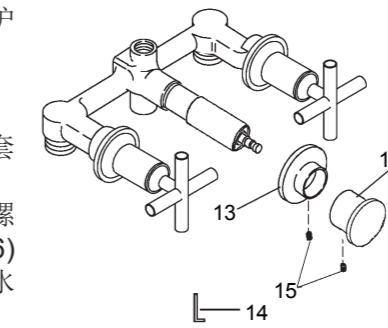
Press the selective extensions onto the valve stems(8). Slip washer(10) onto the yoke(7). Thread the handle kit(11) to the yoke until the escutcheon contacts the finished wall (NOTE: The handle with red washer on the left when facing the front of the faucet).

The configuration shown is the correct position of the handles in closed position.

对于11649T 如何安装装饰盖和切换按钮

墙壁装修好以后，将切换器上的保护套扔掉。

在装饰盖(13)底部边缘涂一圈油灰，套在切换器上，后推使其与墙壁接触，使螺钉孔朝下，用六角扳手(14)锁紧螺钉(15)以固定装饰盖。将切换按钮(16)装到切换轴上，保持“KOHLER”标水平，用六角扳手锁紧螺钉。



For 11649T How to Install the Escutcheon and Diverter Knob

Remove and discard the guard of diverter after completed the finished wall.

Apply a ring of plumbers putty around the edge of escutcheon(13) and slide it on the diverter. Push escutcheon against the wall with the screw hole downwards, tighten screw(15) with hex wrench(14) to secure the escutcheon. Fit diverter knob(16) onto the diverter spindle, and keep "KOHLER" logo level. Tighten screw with hex wrench to secure the knob.

安装结果检查

检查并确保所有衔接处都已拧紧，确保手柄在关的位置。

打开主要供水源和排水系统，检查并修理有漏水的接口。

清洗说明

适用于所有加工处理过的表面：以中性肥皂水清洗镀层表面，再以干净的软布彻底擦干整个表面，许多清洁剂，比如氨水、去污粉及洁厕灵等，会对电镀表面造成伤害，切忌使用。

有磨损性的清洁用具或清洁剂也不可适用于科勒牌的水龙头及其配件上。

INSTALLATION CHECKOUT

Ensure that all coupling nuts are tight. Ensure that the handles are in the off position.

Turn on the main water supply and drain, and check for leaks. Repair as needed.

CLEANING INSTRUCTIONS

All Finishes: Clean the finish with mild soap and warm water. Wipe entire surface completely dry with clean soft cloth. Many cleaners may contain chemicals, such as ammonia, chlorine, toilet cleaner etc, which could adversely affect the finish and are not recommended for cleaning.

Do not use abrasive cleaners or solvents on Kohler faucets and fittings.