

INSTALLATION INSTRUCTIONS

Single Lever Recessed Trim

10242-4	SINGLE LEVER RECESSED SHOWER ONLY TRIM
10243-4	SINGLE LEVER RECESSED BATH & SHOWER TRIM

BEFORE YOU BEGIN

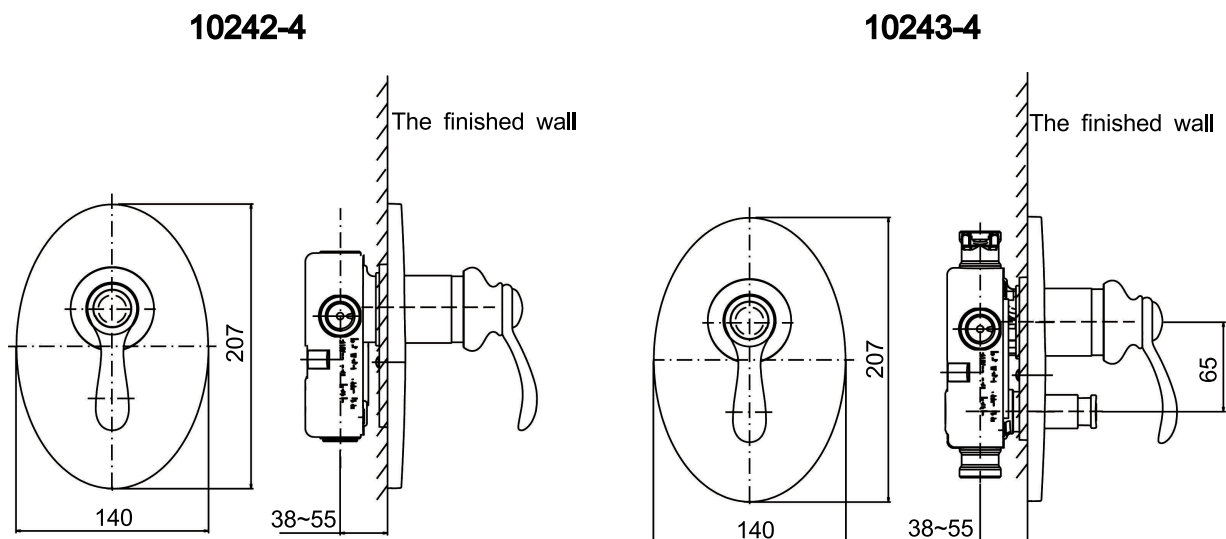
All information is based on the latest product information available at the time of publication. Kohler Co. reserves the right to make changes in product characteristics, packaging, or availability at any time without notice.

Please leave these instructions for the consumer. They contain important information.

Notes:

1. Flush the water supply pipes thoroughly to remove debris.
2. Do not remove the plaster guard from the valve body until instructed to.
3. Install valve 880 according to the rough-in dimensions of 10242-4, Install valve 882 according to the rough-in dimensions of 10243-4.

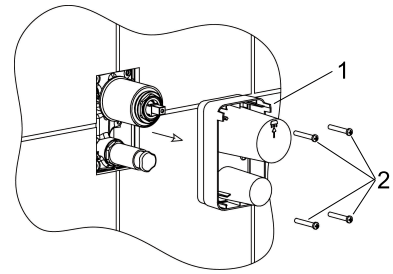
ROUGH-IN DIMENSIONS



INSTALLATION

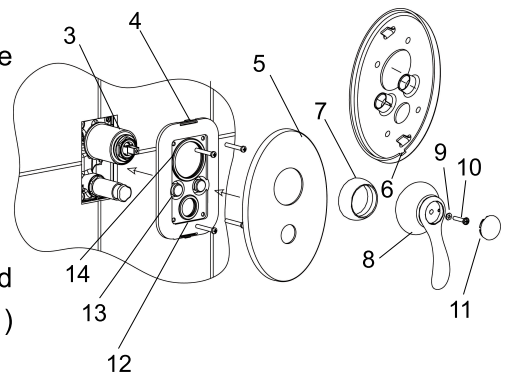
Note: Install valve 880 according to the rough-in dimensions of 10242-4, Install valve 882 according to the rough-in dimensions of 10243-4.

Remove the plastic guard(1) after completed the finished wall.



Note: Retain screws(2).

Slide the cover kit(4) onto the valve(3) with the plug(13) facing outside(**Note:** Don't squeeze out the rings 12,14). Push it against the wall. Secure it with the screws(2). Slide the faceplate(5) onto the valve with slot(6) downwards, push it against the wall. Screw the bonnet(7) on the valve.



Install handle(8): Slide the washer(9) on the setscrew(10). Thread the setscrew into the hole of the handle top. Press plug button(11) in place. The "Hot" mark faces the left.

CLEANING INSTRUCTIONS

All Finishes: Clean the finish with mild soap and warm water. Wipe entire surface completely dry with clean soft cloth. Many cleaners may contain chemicals, such as ammonia, chlorine, toilet cleaner etc. which could adversely affect the finish and are not recommended for cleaning.

Do not use abrasive cleaners or solvents on Kohler faucets and fittings.

SERVICE PARTS

