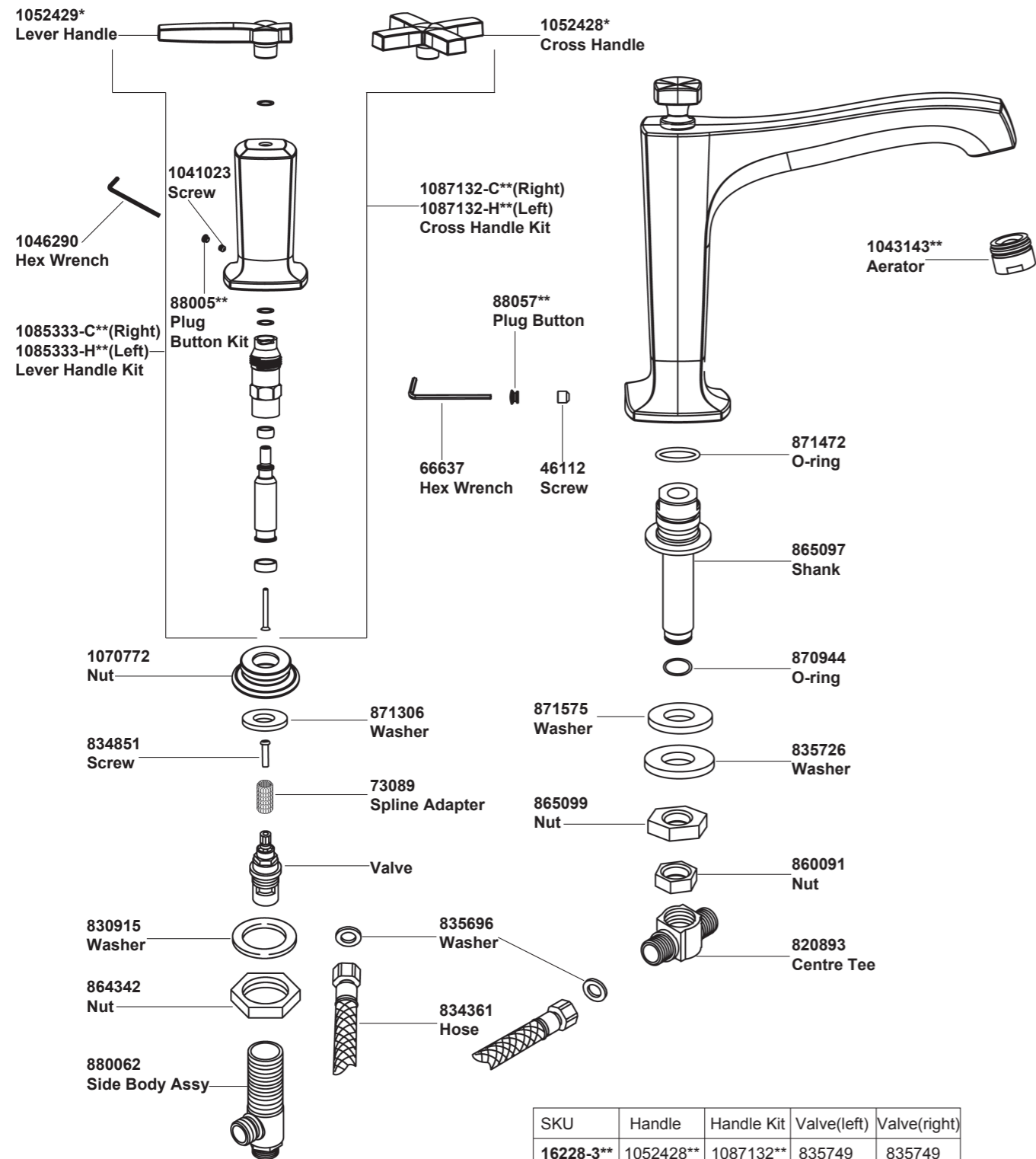


16228 DECK-MOUNT BATH FAUCET



SKU	Handle	Handle Kit	Valve(left)	Valve(right)
16228-3**	1052428**	1087132**	835749	835749
16228-4**	1052429**	1085333**	835749	835750

**Color code must be specified when ordering

16228 DECK-MOUNT BATH FAUCET

BEFORE YOU BEGIN

All information is based on the latest product information available at the time of publication. Kohler Co. reserves the right to make changes in product characteristics, packaging, or availability at any time without notice.

Please leave these instructions for the consumer. They contain important information.

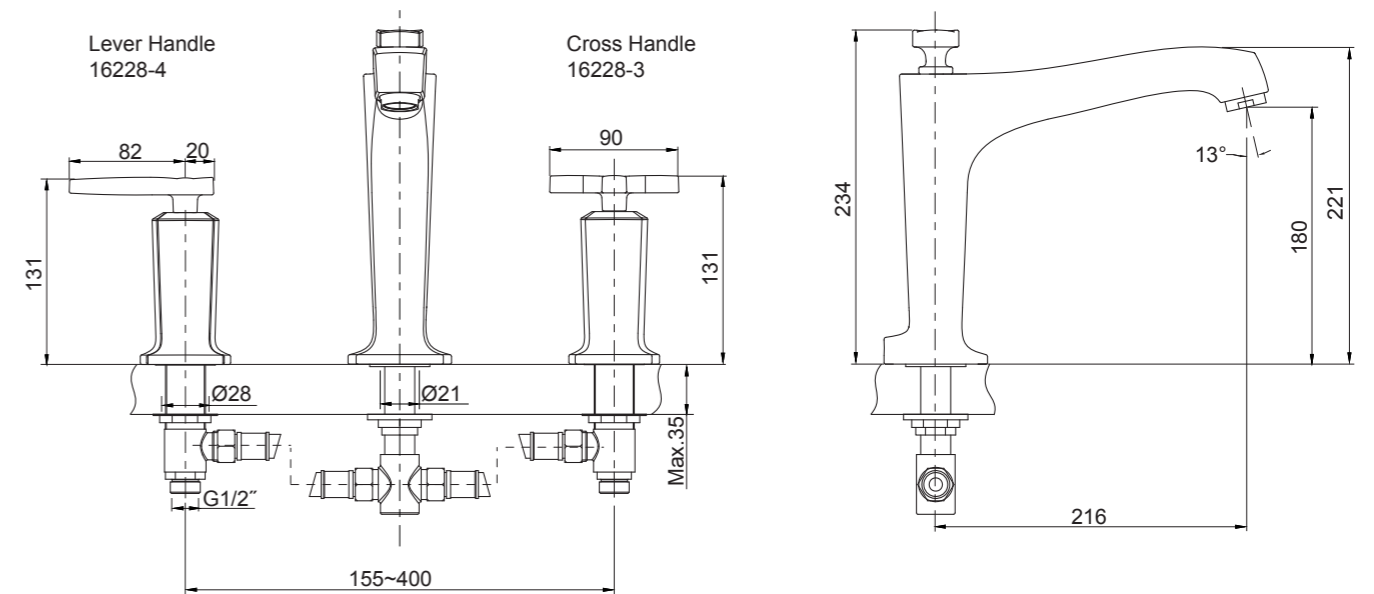
NOTES:

1. Flush the water supply pipes thoroughly to remove debris.
2. Inspect the supply tubing for damage. Replace as necessary.
3. Observe local plumbing codes.
4. If possible, install this faucet before installing the tub.

HANDLE OPERATION

Left handle opens with one-quarter turn counter-clockwise. Right handle opens with one-quarter turn clockwise (Lever Handle). Both handles open with one-quarter turn counter-clockwise (Cross Handle).

ROUGH-IN DIMENSIONS



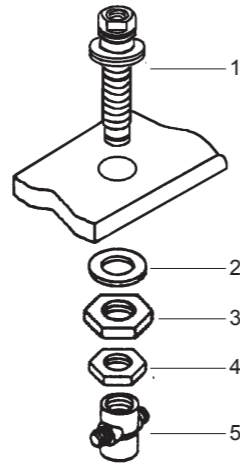
INSTALLATION

How to Install the Shank

Remove the parts from the shank(1) and retain them according to the following order: supply tee(5), nut(4), nut(3) and washer(2). Fit the shank to the center hole of tub.

Install the washer(2), nut(3), nut(4), and wrench to tighten nut(3), then tighten nut(4).

Thread the supply tee to the shank until hand-tight.



How to Install the Side Bodies

Remove the parts from the side body according to the following order: collar(6) and rubber washer(7). Leave washer(10) and nut(11) on the side body(9).

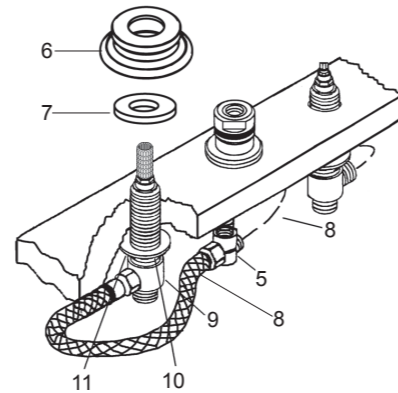
Connect the side bodies(9) and the center tee(5) with hoses(8) and washers as in the drawing.

NOTE: The hoses(8) should only be used here.

Insert side bodies through mounting holes from the bottom of deck or the bath tub rim with washer(10) and nut(11).

Install rubber washer(7) and collar(6) onto each side body. Wrench tighten the nut(11).

NOTE: For 16228-4, install valve body with blue mark on the right when facing the front of the faucet. To ease installation, you may back off the supply tee up to 180 degrees. Ensure that there is no kinking of the hoses.

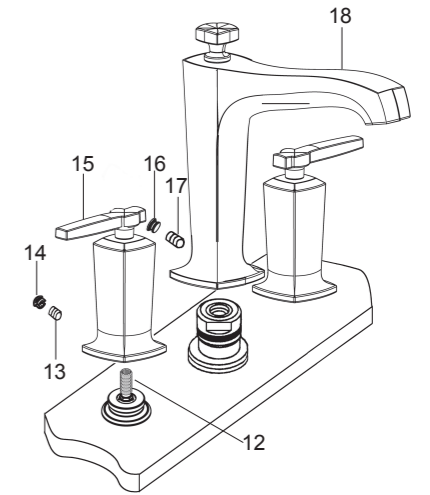


How to Install the Handles and Spout

Press the handle kits(15) onto the valve stem(12) until it contacts the deck. (**Note:** The screws face the back. The handle kit with red washer should be installed on the left side of body). Tighten the screws(13) by hex wrench provided, then insert the plug buttons(14) into the rear holes.

Insert the spout(18) to the shank until it contacts the deck. Tighten the screw(17) by hex wrench provided, then insert the plug button (16) into the rear hole.

The following configuration shown is the correct position for the installed spout and handles when closed.



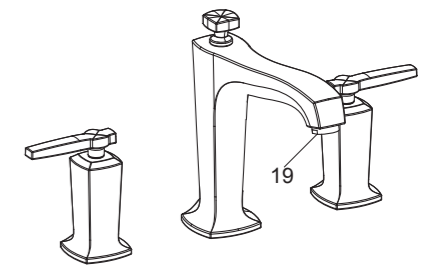
INSTALLATION CHECKOUT

Ensure that all connections are tight. Ensure that the handles are in the off position.

Remove the aerator(19).

Turn on the main supply and check for leaks.

Open both hot and cold valves and run water through the spout to remove any debris. Turn off the valves. Reinstall the aerator.



CLEANING INSTRUCTIONS

All Finishes: Clean the finish with mild soap and warm water. Wipe entire surface completely dry with clean soft cloth. Many cleaners may contain chemicals, such as ammonia, chlorine, toilet cleaner etc. which could adversely affect the finish and are not recommended for cleaning.

Do not use abrasive cleaners or solvents on Kohler faucets and fittings.