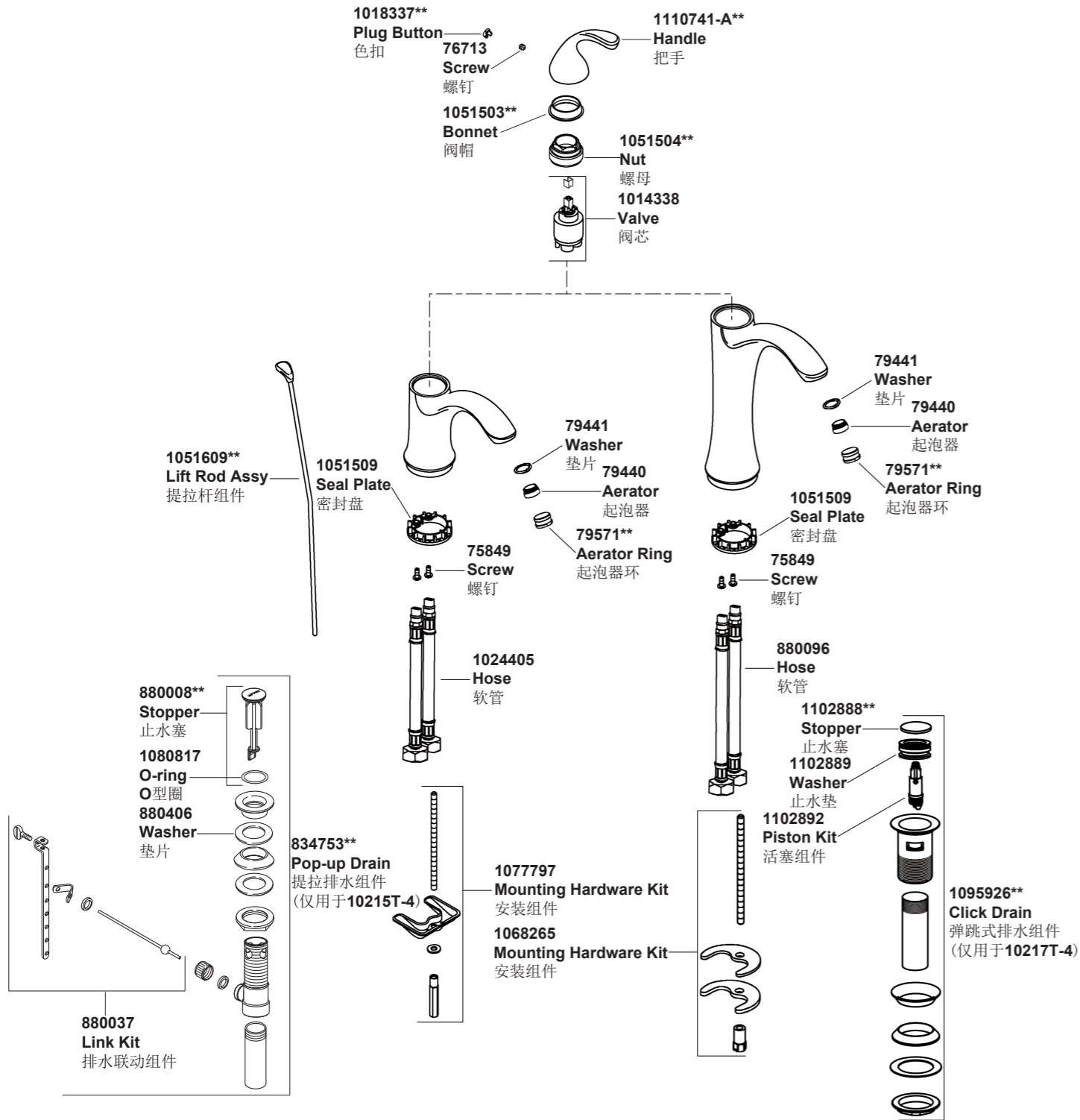


10215T-4 单孔脸盆龙头  
10217T-4 单把碗盆龙头



\*\*订购时请说明颜色编号  
\*\*Color code must be specified when ordering

10215T-4 单孔脸盆龙头  
10217T-4 单把碗盆龙头

安装之前

所有的资料是按最新发布的产品资料编写而成。科勒公司保留任何时候不经通知即可改变产品特性、包装或产品可供类型的权利。

说明书包括重要的安装、保养及清洁方面的内容，请把这些资料交给用户阅读。

注意事项：

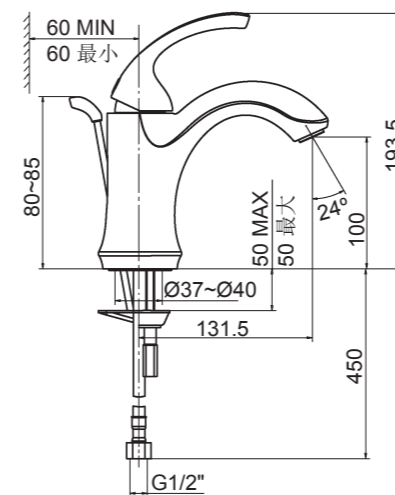
1. 一定要先彻底冲洗供水管以清除管道中的杂质。
2. 检查供水管有无损坏和漏水。如需要，进行替换和维修。
3. 遵守当地管路安装条例。
4. 尽可能在安装脸盆之前安装水龙头。

使用说明

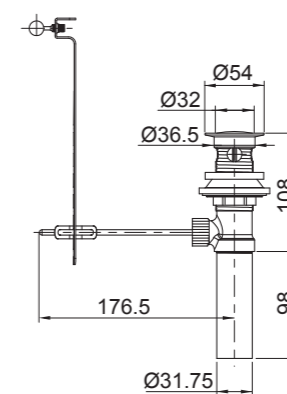
将手柄轻轻提起，顺时针旋转为热水，逆时针旋转为冷水。

安装尺寸

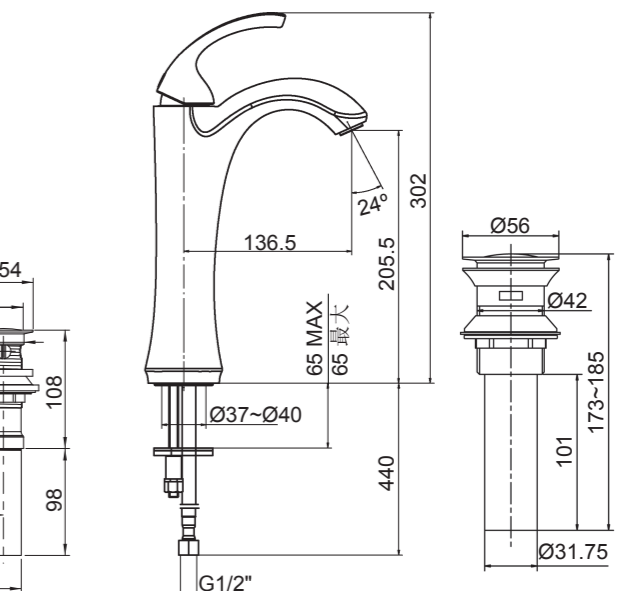
Finished Wall  
装修好的墙面



10215T-4



ROUGH-IN DIMENSIONS



10217T-4

BEFORE YOU BEGIN

All information is based on the latest product information available at the time of publication. Kohler Co. reserves the right to make changes in product characteristics, packaging, or availability at any time without notice.

Please leave these instructions for the consumer. They contain important information.

NOTES:

1. Flush the water supply pipes thoroughly to remove debris.
2. Inspect the supply tubing for damage and leakage. Replace and maintain as necessary.
3. Observe local plumbing codes.
4. If possible, install this faucet before installing the lavatory.

HANDLE OPERATION

Lift the handle gently. Turn clockwise for hot water, counter-clockwise for cold water.

## 安装步骤

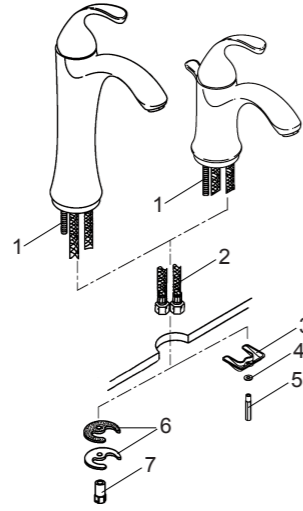
### 如何安装水龙头

将固定螺栓(1)装到龙头上,把供水软管(2)插入脸盆安装孔中。

对于10215T-4,将托架(3)和垫片(4)套在固定螺栓上。调整水龙头的位置,锁紧螺母(5)以固定水龙头。

对于10217T-4,将托架(6)套在固定螺栓上。调整水龙头的位置,锁紧螺母(7)以固定水龙头。

把软管接到水源,当您面对水龙头时,左边为热水,右边为冷水。



## INSTALLATION

### How To Install The Faucet

Install mounting studs(1) into the faucet base. Insert the flexible hoses(2) into the mounting hole of the lavatory.

For 10215T-4, place the brackets(3) and washers(4) onto the mounting studs. Position the faucet. Tighten the nuts(5) to secure the faucet.

For 10217T-4, place the brackets(6) onto the mounting studs. Position the faucet. Tighten the nuts(7) to secure the faucet.

Attach the hoses to water supplies. When facing front of faucet, the left hose is hot water, the right hose is cold water.

### 如何安装排水器 仅对于10215T-4

将止水塞(14)、法兰盘(8)及垫片(10)从排水本体(9)上取下。从排水本体上取下尾管(11)。用密封胶带(生料带)在排水器尾管螺纹上缠几圈,再装回到排水本体上。把排水本体组件从脸盆下方插到脸盆中,排水杆口(12)朝后方。把法兰盘带垫片旋入到排水本体中,从下方用手拧紧锁紧螺母(13)。

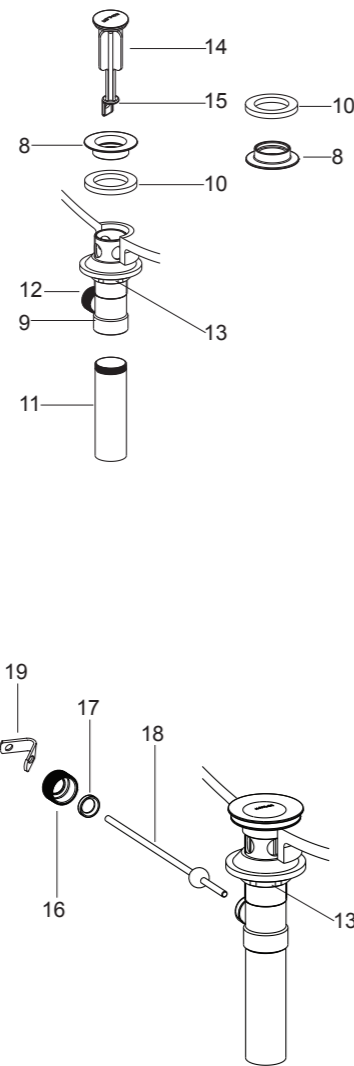
**注意:** 如果需要,可直接在法兰盘(8)底面沿周围涂一圈密封油灰,或其他密封剂,而不使用垫片(10)。

把止水塞(14)放入排水本体中,调整止水塞末端的洞口(15)使其靠近并对正排水杆的洞口。

将固定螺母(16)取下,把塑料垫圈(17)及固定螺母装在球杆(18)上,再把球杆组件插入排水杆洞口中并穿过止水塞,拧紧固定螺母。

确保球杆(18)指向脸盆后方,用扳手拧紧排水本体上的锁紧螺母(13)。

**注意:** 在锁紧螺母拧紧后,如法兰盘使用密封油灰,则不可以调整排水本体的位置,否则会破坏油灰密封的密封性。同时去除多余油灰。



### How To Install The Drain Only For 10215T-4

Remove stopper(14), flange(8) and washer(10) from drain body(9). Take off the tailpiece(11). Apply thread tape to tailpiece and install the tailpiece to drain body. Insert drain body kit into the lavatory from underside, and make sure the drain lever hole(12) facing to the back of the lavatory. Screw the flange with washer into the drain body. Tighten the locknut(13) by hand from the underside of the fixture.

**NOTE:** If needed, apply a ring of plumbers putty around the underside of the drain flange(8), instead of using washer(10).

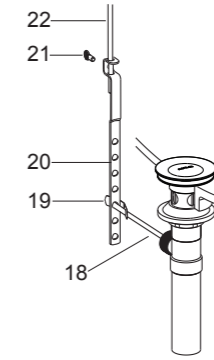
Place stopper(14) into drain body aligning the flat side of stopper hole(15) with the drain lever hole.

Remove the retaining nut(16). Fit the plastic washer(17) and retaining nut onto the ball lever(18). Insert the ball lever assembly into the drain lever hole and through the stopper hole. Tighten the retaining nut.

Be sure that the ball lever(18) points to the back of the lavatory, tighten the locknut(13) on the drain body by wrench.

**NOTE:** Do not reposition the drain if plumbers putty applied after the locknut is tightened, or you may break the putty seal. Wipe away excess plumbers putty.

把手捻螺丝(21)装到联杆(20)上。用“V”形夹(19)将联杆连接到球杆(18)上,将提拉杆(22)插入水龙头及联杆的孔中,将球杆下推至排水组件全开位置,调整提拉杆的位置,使提拉杆头与台面高度控制在80~85mm。拧紧手捻螺丝。



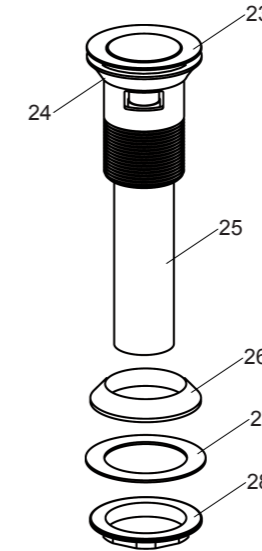
Assemble thumb screw(21) to link(20), and link onto ball lever(18) with 'V'-clip (19). Slide lift rod(22) in faucet and into the hole in link. Push the ball lever down into the open position, and adjust the lift rod to make sure the height between lift rod and table is controlled within the range of 80~85mm. Tighten thumb screw.

### 仅对于10217T-4

把锁紧螺母(28)、塑料垫片(27)、橡胶垫圈(26)和尾管(25)从排水本体上取下。在尾管螺纹处须缠绕足以密封的密封胶带或涂合适的密封胶,装回排水本体。把排水本体从脸盆上部孔插入。再依次将橡胶垫圈(小面朝上)、塑料垫片和锁紧螺母从排水本体底部装入。锁紧螺母。

**注意:** 如果需要,可直接在排水器盘片(23)底面沿周围涂一圈密封油灰或其他密封剂,而不使用橡胶垫片(24)。

**注意:** 在锁紧螺母拧紧后,不可调整排水本体的位置,否则会破坏油灰密封或密封剂密封。



### Only For 10217T-4

Remove the locknut(28), plastic washer (27), rubber gasket(26) and tailpiece(25) from the drain body. Supply enough tape or sealant to tailpiece thread. Reinstall the tailpiece. Insert the drain body into the lavatory. Put the rubber gasket (Tapered side up), plastic washer and locknut back to the drain body in turn. Tighten the locknut.

**NOTE:** If needed, apply a ring of plumbers putty or other sealants around the underside of the drain flange(23), instead of using rubber washer(24).

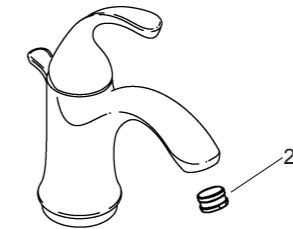
**NOTE:** Do not reposition the drain after the locknut is tightened, or you may break the putty or sealant seal.

## 安装结果检查

检查并确保所有的衔接处都已拧紧。确保把手在关闭位置。

打开排水器和主要供水源,检查并修理有漏水的接口。

取下起泡器组件(29),打开水龙头的冷热水,让水流出约一分钟以清除杂质,检查渗漏。冲洗起泡器,关闭水龙头,重新装回起泡器组件。



## INSTALLATION CHECKOUT

Ensure all coupling nuts are tight. Ensure that the handle is in the close position.

Turn on the drain and main water supply, and check for leaks. Repair as needed.

Remove the aerator assembly(29). Run hot and cold water through faucet for about one minute to remove any debris. Check for leaks. Repair as needed. Remove any debris from the aerator assembly. Shut off the faucet. Reinstall the aerator assembly.

## 清洗说明

适用于所有加工处理过的表面:以中性肥皂水清洗镀层表面,再以干净的软布彻底擦干整个表面,许多清洁剂,比如氨水、去污粉及洁厕灵等,会对电镀表面造成伤害,切忌使用。

有磨损性的清洁用具或清洁剂也不可适用于科勒牌的水龙头及其配件上。

## CLEANING INSTRUCTIONS

All Finishes: Clean the finish with mild soap and warm water. Wipe entire surface completely dry with clean soft cloth. Many cleaners may contain chemicals, such as ammonia, chlorine, toilet cleaner etc. which could adversely affect the finish and are not recommended for cleaning.

Do not use abrasive cleaners or solvents on Kohler faucets and fittings.