

把尾管接上存水弯，尾管须插入存水弯25mm到50mm之间。

Connect the tailpiece to the trap. The tailpiece should extend 25mm to 50mm into the trap.

仅对于10094T-9

Only For 10094T-9

把锁紧螺母(40)、塑料垫片(39)、橡胶垫圈(38)和尾管(37)从排水本体上依次取下。在尾管螺纹处须缠绕足以密封的密封胶带或涂合适的密封胶，装回排水本体。把排水本体从脸盆上部孔插入。再依次将橡胶垫圈(小面朝上)、塑料垫片和锁紧螺母从排水本体底部装入。锁紧螺母。

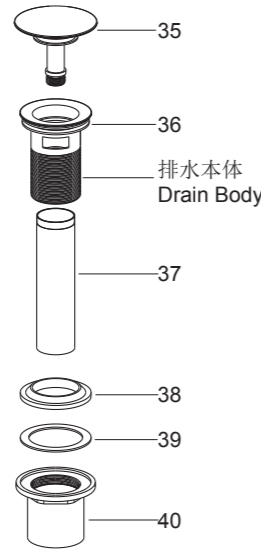
Remove the locknut(40), plastic washer (39), rubber gasket(38) and tailpiece(37) from the drain body. Supply enough tape or sealant to tailpiece thread. Reinstall the tailpiece. Insert the drain body into the lavatory. Put the rubber gasket (Tapered side up), plastic washer and locknut back to the drain body in turn. Tighten the locknut.

注意： 如果需要，可直接在排水器盘片(35)底面沿周围涂一圈密封油灰或其他密封剂，而不使用橡胶垫片(36)。

NOTE: If needed, apply a ring of plumbers putty or other sealants around the underside of the drain flange(35), instead of using rubber washer(36).

注意： 在锁紧螺母拧紧后，不可调整排水本体的位置，否则会破坏油灰密封或密封剂密封。

NOTE: Do not reposition the drain after the locknut is tightened, or you may break the putty or sealant seal.



安装结果检查

INSTALLATION CHECKOUT

检查并确保所有衔接处都已拧紧，确保把手在关的位置。

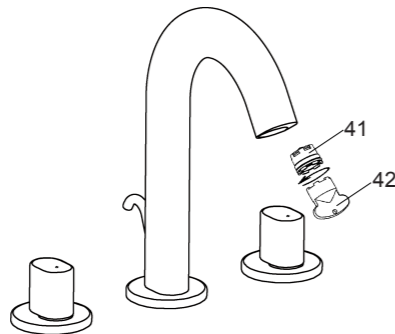
Ensure that all coupling nuts are tight. Ensure that the handles are in the off position.

打开主要供水源和排水系统，检查并修理有漏水的接口。

Turn on the main water supply and drain, and check for leaks. Repair as needed.

用附带工具(42)将起泡器(41)拆下，打开水龙头的冷热水，让水流出一分钟以清除杂质，检查渗漏。冲洗起泡器，关闭水龙头，重新装回起泡器。

Remove the aerator(41) by key(42). Turn the faucet handle on. Run hot and cold water through spout for about one minute to remove any debris. Check for leaks. Repair as needed. Remove any debris from the aerator. Shut off the faucet. Reinstall the aerator.



清洗说明

CLEANING INSTRUCTIONS

适用于所有加工处理过的表面：以中性肥皂水清洗镀层表面，再以干净的软布彻底擦干整个表面，许多清洁剂，比如氨水、去污粉及洁厕灵等，会对电镀表面造成伤害，切忌使用。

All Finishes: Clean the finish with mild soap and warm water. Wipe entire surface completely dry with clean soft cloth. Many cleaners may contain chemicals, such as ammonia, chlorine, toilet cleaner etc, which could adversely affect the finish and are not recommended for cleaning.

有磨损性的清洁用具或清洁剂也不可适用于科勒牌的水龙头及其配件上。

Do not use abrasive cleaners or solvents on Kohler faucets and fittings.

KOHLER®

INSTALLATION INSTRUCTIONS

安装说明书

Widespread Lavatory Faucet

10086T-9 10094T-9 8" 脸盆龙头

安装之前

BEFORE YOU BEGIN

所有的资料是按最新出版的产品资料编写而成。科勒公司保留任何时候不经通知即可改变产品特性、包装或产品可供类型的权利。

All information is based on the latest product information available at the time of publication. Kohler Co. reserves the right to make changes in product characteristics, packaging, or availability at any time without notice.

说明书包括重要的安装、保养及清洁方面的内容，请把这些资料交给用户阅读。

Please leave these instructions for the consumer. They contain important information.

注意事项：

NOTES:

1. 一定要先彻底冲洗供水管以清除管道中的杂质。
2. 检查供水管有无损坏和漏水。如需要，进行替换和维修。
3. 遵守当地管路安装条例。
4. 尽可能在安装脸盆之前安装水龙头。

1. Flush the water supply pipes thoroughly to remove debris.
2. Inspect the supply tubing for damage and leakage. Replace and maintain as necessary.
3. Observe local plumbing codes.
4. If possible, install this faucet before installing the lavatory.

使用说明

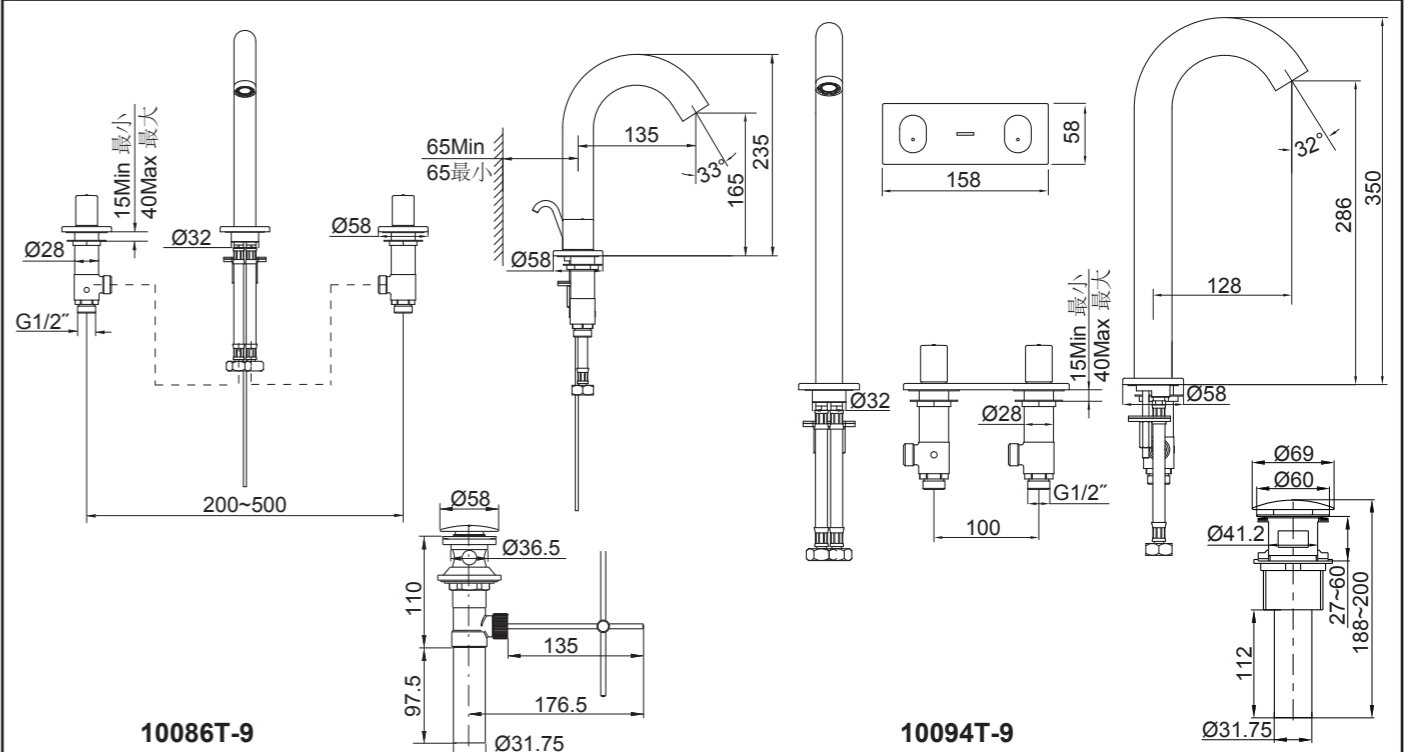
HANDLE OPERATION

顺时针旋转左把手为开，逆时针旋转右把手为开。

Left handle opens with turning clockwise, right handle opens with turning counter-clockwise.

安装尺寸

ROUGH-IN DIMENSIONS

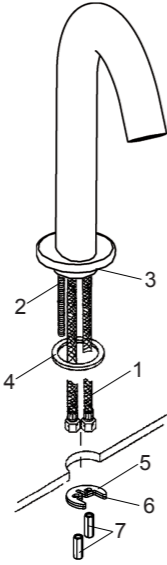


安装步骤

如何安装出水口

对于10094T-9, 将软管(1)手动拧紧到水龙头底座(3)。若因维修或其他原因拆下软管, 装回时手动拧紧即可。

将固定螺栓(2)拧到水龙头底座。把垫圈(4)套进软管和固定螺栓, 并嵌入水龙头底座槽中。把供水软管插入脸盆中孔(对于10094T-9, 将软管插入脸盆左孔), 调整水龙头的位置, 从脸盆下方把垫片(5)和垫片(5)套入固定螺栓, 锁紧螺母(7)以固定水龙头。



INSTALLATION

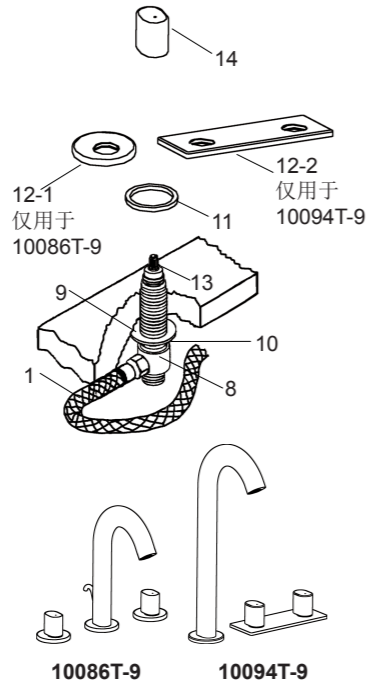
How To Install The Spout

For 10094T-9, tighten the flexible hoses (1) into the faucet base(3) by hand. If needed to take off hoses to repair, reinstall and tighten them by hand.

Install mounting studs(2) into the faucet body base. Slide the washer(4) over the flexible hoses and mounting studs, and into the groove on the bottom of faucet body. Insert the flexible hoses into the center hole of lavatory (For 10094T-9, insert the hoses into the left hole of lavatory). Position the faucet. From underside of the lavatory, fit the washer (5) and washer(6) on the mounting studs, and secure the faucet with the nuts(7).

如何安装阀体和把手

先将垫片(11)嵌入装饰盖(12)底面凹槽中。将带有垫片(9)和锁紧螺母(10)的阀体组件(8)从脸盆下方穿过安装孔旋到装饰盖上(面对水龙头, 贴有红色标记的阀体装在左侧)。将把手(14)装到齿套(13)上。



调整阀体, 阀处于关闭位置, 使把手的状态如图所示。

用扳手拧紧螺母(10)。把软管(1)接到阀体上。将冷热水源接到阀体, 左侧接热水, 右侧接冷水。

How To Install The Valve Bodies And The Handles

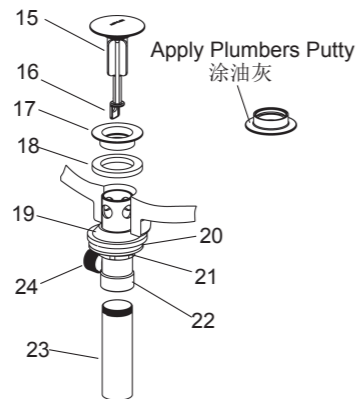
Put the washer(11) into the groove on the bottom of the escutcheon(12). Insert the valve body(8) with washer(9) and nut(10) through mounting hole from bottom of lavatory, and thread it to escutcheon (The valve body with red mark on the left when facing the faucet). Install the handle(14) onto the spline adapter(13).

Adjust the valve bodies. The illustration shown is the correct position of the handles in the valve closed position.

Wrench tighten nuts(10). Attach the hoses(1) to valve bodies. Attach the water supplies to the valve bodies. Hot water to left valve body, cold water to right valve body.

如何安装排水器 仅对于10086T-9

将止水塞(15)、法兰盘(17)及垫片(18)从排水本体(22)取下, 在法兰盘底面套上垫片。尾管(23)从排水本体上取下。在尾管螺纹处须缠绕足以密封的密封胶带或涂合适的密封胶, 装回排水本体。把带垫圈(19)、钢垫(20)及锁紧螺母(21)的排水本体由洗脸盆孔下插入, 排水杆洞口(24)朝后方。



How To Install The Drain Only For 10086T-9

Uninstall the stopper(15), drain flange (17) and washer(18) from drain body (22). Slide washer onto the underside of the drain flange. Uninstall the tailpiece (23) from the drain body. Supply enough tape or sealant to tailpiece thread. Reinstall the tailpiece. Insert the drain body with gasket(19), steel washer(20) and locknut(21) into the lavatory from underside, with the drain lever hole(24) facing the rear.

注意: 如果需要, 可直接在法兰盘底面沿周围涂上一圈密封油灰, 而不使用垫片(18)。

把法兰盘旋入排水本体中。从下方用手拧紧锁紧螺母。把止水塞放入排水本体中, 调整以使止水塞末端的孔(16)靠近并对正排水杆洞口。

先松开连接头(28)的螺钉(29), 取下连接头。将固定螺母(26)取下, 把塑料垫片(25)及固定螺母装在球杆(27)上, 将球杆组件插入排水杆洞口(24)并穿过止水塞孔, 拧紧固定螺母。

确保球杆指向脸盆后方, 并拧紧排水本体上的锁紧螺母。

注意: 在锁紧螺母拧紧后, 不可调整排水本体的位置, 否则会破坏油灰密封或密封剂密封。去除多余的油灰。

如何安装提拉杆组件 仅对于10086T-9

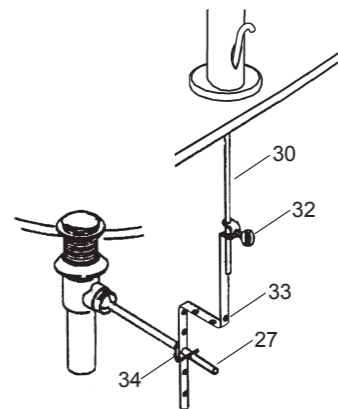
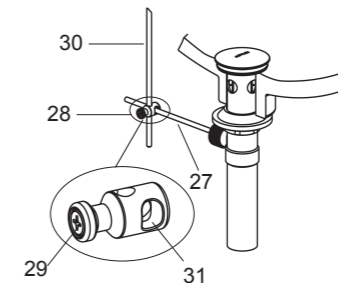
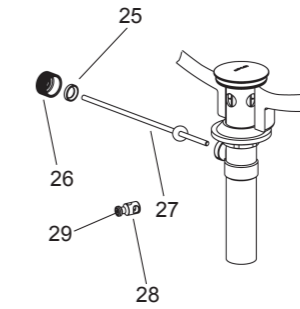
将提拉杆组件(30)插入出水口后侧孔。根据所选脸盆尺寸, 选择排水器与水龙头提拉杆的连接方式。

方式一: 选用连接头(28)

连接头(28)大孔(31)套到球杆(27)上, 将提拉杆下部插入连接头小孔中。调整提拉杆的高度, 使提拉杆头到台面的高度控制在55~60mm。将球杆下推到排水器全开位置。锁紧连接头上的螺钉(29)。

方式二: 选用联动组件(32, 33 & 34)

根据提拉杆的长度, 折弯连杆(33)。用V形夹(34)将连杆连接到球杆组件上, 将提拉杆(30)插入到连杆的孔中, 调整提拉杆的高度, 使提拉杆头到台面的高度控制在55~60mm。将球杆(27)下推到排水器全开位置。拧紧手捻螺丝(32)。



NOTE: If necessary apply a ring of plumbers putty around the underside of the drain flange, instead of using washer(18).

Thread the drain flange onto the drain body. Handtighten the locknut from the underside of the lavatory. Place stopper into drain body, aligning the flat side of stopper hole(16) with the drain lever hole.

Loosen the screw(29) on the latch(28), take off the latch. Remove the retaining nut(26). Fit the plastic washer(25) and retaining nut onto the ball lever rod(27). Insert the ball lever assembly into the drain lever hole(24) and through the stopper hole. Tighten the retaining nut.

Be sure that the ball lever rod points to the back of the lavatory, tighten the locknut.

NOTE: Do not reposition the drain after the locknut is tightened, or you may break the putty seal. Remove any excess putty.

How To Install The Lift Rod Kit Only For 10086T-9

Insert the lift rod assembly(30) into the rear hole of spout. Select connection of the drain and the lift rod according the dimension of lavatory.

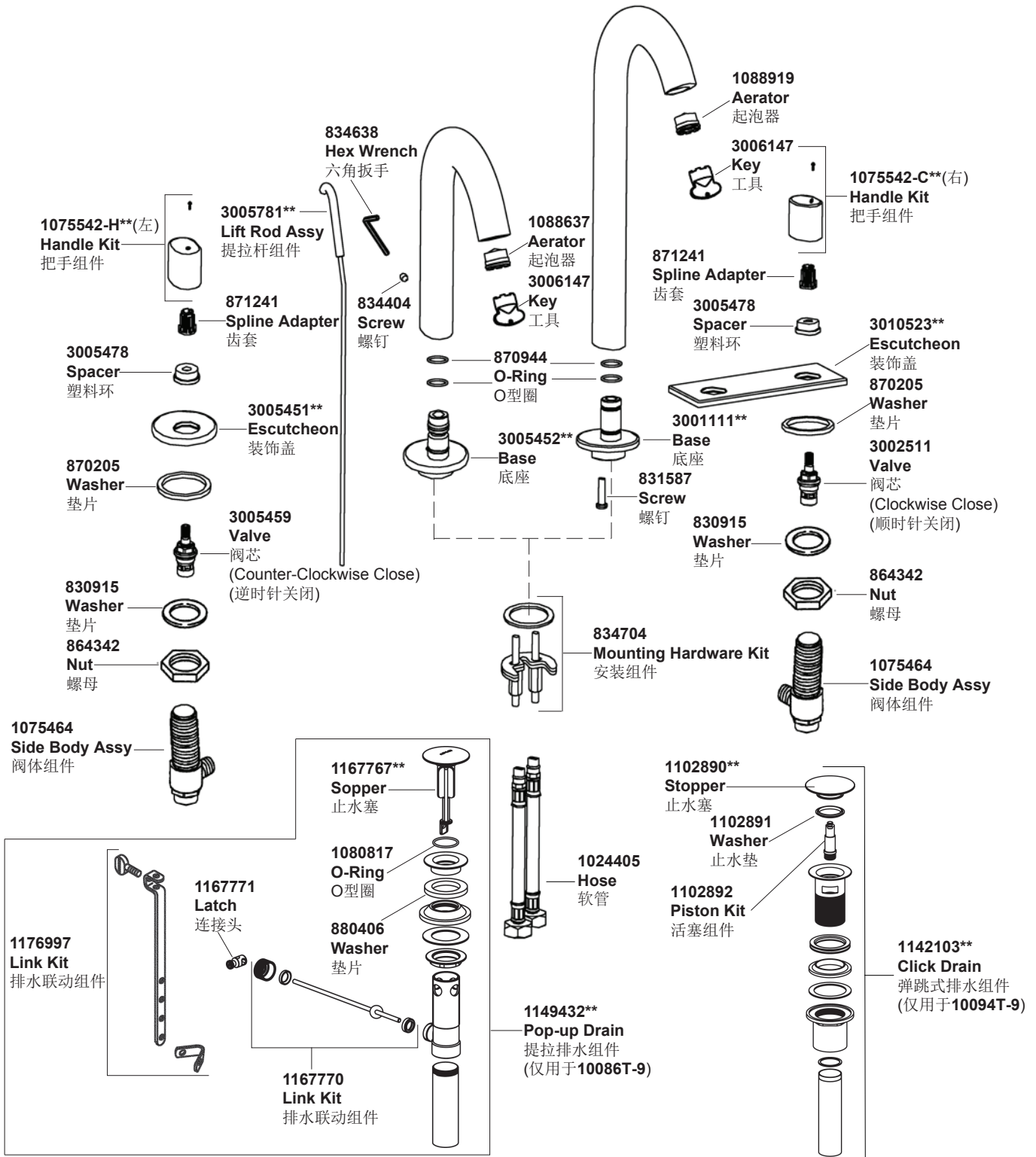
Way 1: Select the latch(28)

Insert the ball lever rod(27) into the bigger hole(31) of the latch(28). Insert the lift rod into the other hole of latch. Position the lift rod, make sure the height between lift rod and table is controlled within the range of 60~65mm. Push the ball lever rod down to the open position. Tighten the screw(29) on the latch.

Way 2: Select the link kit(32, 33 & 34).

According the lift rod length, bend the link(33). Connect the link onto ball lever rod with 'V' clip(34). Slide lift rod(30) into the hole on link. Position the lift rod, make sure the height between lift rod and table is controlled within the range of 55~60mm. Push the ball lever rod(27) down to the open position. Tighten thumb screw(32).

10086T-9 10094T-9 8" 脸盆龙头



**订购时请说明颜色编号

**Color code must be specified when ordering