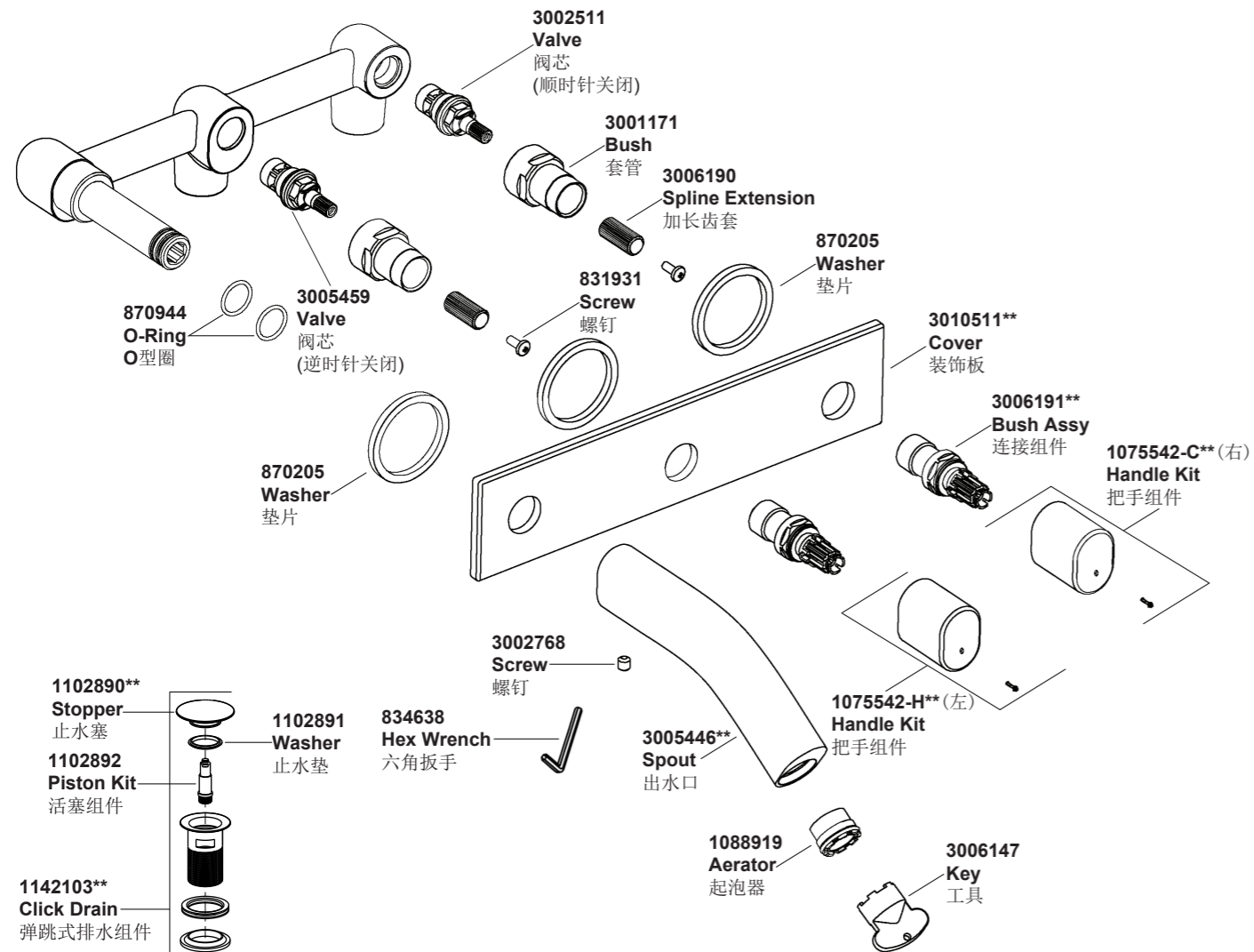


10087T-9 入墙式双把脸盆龙头



**订购时请说明颜色编号
**Color code must be specified when ordering

10087T-9 入墙式双把脸盆龙头

安装之前

所有的资料是按最新出版的产品资料编写而成。科勒公司保留任何时候不经通知即可改变产品特性、包装或产品可供类型的权利。

说明书包括重要的安装、保养及清洁方面的内容，请把这些资料交给用户阅读。

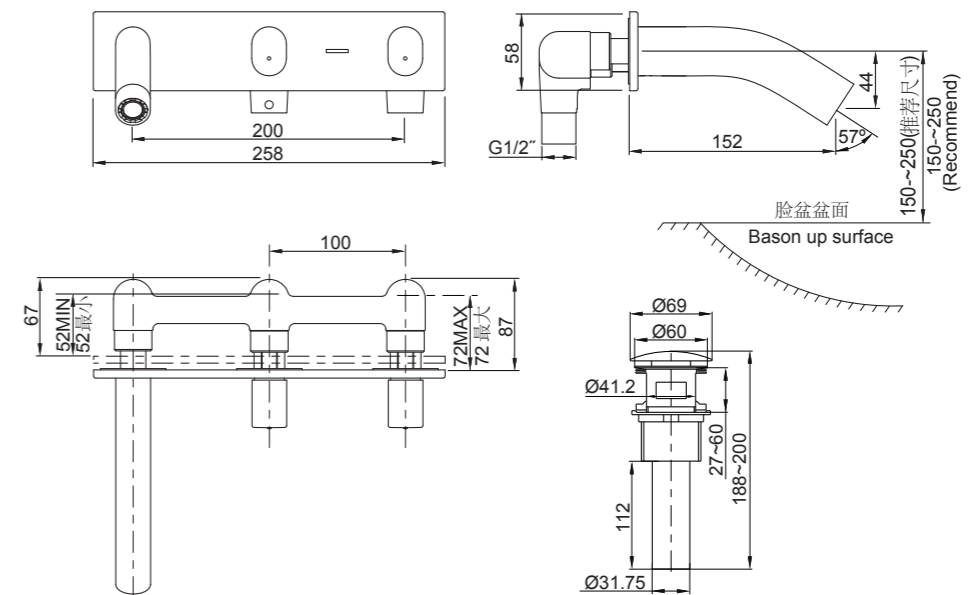
注意事项:

1. 一定要先彻底冲洗供水管以清除管道中的杂质。
2. 检查供水管有无损坏。如需要，进行替换。
3. 遵守当地管路安装条例。
4. 埋墙前测试安装连接部位是否有渗漏，根据需要修理之。
5. 本产品只接受水压测试，且测试前需先排空管路龙头之间的空气。测试水压不超过0.8MPa(8bar)，时间不超过30分钟。

使用说明

顺时针旋转左把手为开，逆时针旋转右把手为开。

安装尺寸



BEFORE YOU BEGIN

All information is based on the latest product information available at the time of publication. Kohler Co. reserves the right to make changes in product characteristics, packaging, or availability at any time without notice.

Please leave these instructions for the consumer. They contain important information.

NOTES:

1. Flush the water supply pipes thoroughly to remove debris.
2. Inspect the supply tubing for damage. Replace as necessary.
3. Observe local plumbing codes.
4. Check for leaks before covering the pipes, repairs as needed.
5. Please ensure only apply water pressure test on the product, and empty the air in pipe and faucet thoroughly before the test. Please ensure test pressure below 0.8MPa(8bar) and test duration within 30 minutes.

HANDLE OPERATION

Left handle opens with turning clockwise, right handle opens with turning counter-clockwise.

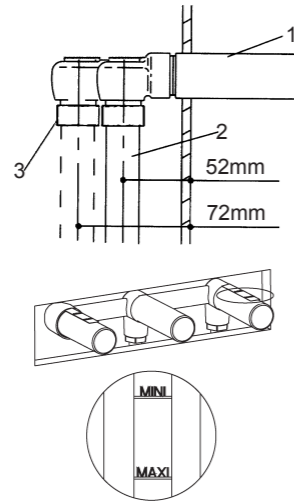
ROUGH-IN DIMENSIONS

安装步骤

如何安装混合栓

切勿在此时将保护套(1)移去。

连接螺纹为G1/2"的供水管(2)至阀体进水孔(3)。使供水管路的中心与装修好的墙面之间的距离为52mm至72mm (即装修好的墙面处于标识MIN和MAX之间)。贴红圆一侧进水孔居左, 安装热水管。



注意: 安装时要使两阀芯处于同一水平面, 同时使出水口接头(9)垂直于装修好的墙面。

INSTALLATION

How To Install The Yoke

Do not take off guards(1) at this moment.

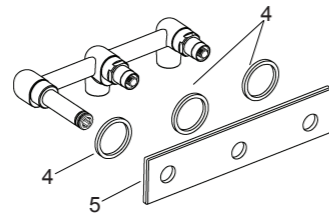
Connect the G1/2" water supply pipes (2) to the supply yoke(3) so the center of water supplies should be between 52mm and 72mm from the finished wall (That is finished wall between the marks "MINI" and "MAXI" on the label). Make sure the inlet which with red mark on the left, and connect to hot water.

NOTE: Make sure two valves at same level, and vertical with finished wall.

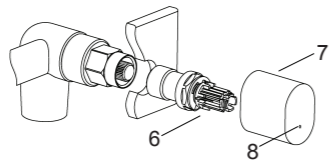
如何安装装饰板和把手

墙壁装修好以后, 可将保护套扔掉。

将垫片(4)嵌入装饰板(5)底部凹槽中。将装饰板装到混合栓上, 向后推使其与墙面接触。



安装连接组件(6)到阀体上, 旋转至装饰板并使其贴紧墙面(注意不要用力过大)。将阀旋转至关闭位置, 按如图的状态压装把手(7), 色塞(8)左红右蓝。



How To Install The Cover And Handles

Remove and discard the guards after the finished wall is completed.

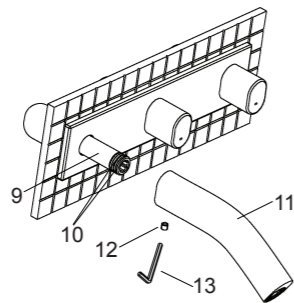
Put the washers(4) into the grooves of the cover(5). Slide the cover onto the yoke. And push it to touch the wall.

Screw the bush assembly(6) to yoke until the cover against the wall (Be careful, do not overtighten). Turn the valves to close position, press the handles(7) onto the bush assemblies as the figure shown that the plug(8) in the bottom. And ensure the handle with red plug on the left.

如何安装出水口

出水口接头(9)前端已安装好两个O型圈(10), 将出水口(11)装到出水口接头上, 使其同装饰板接触, 用六角扳手(12)锁紧螺钉(13)固定出水口。

注意: 固定螺钉不要拧得太紧。



How To Install The Spout

Slide the spout(11) onto the outlet connector(9) with two o-ring(10) on the top until it against the cover. Tighten screw(13) with hex wrench(12) to secure the spout.

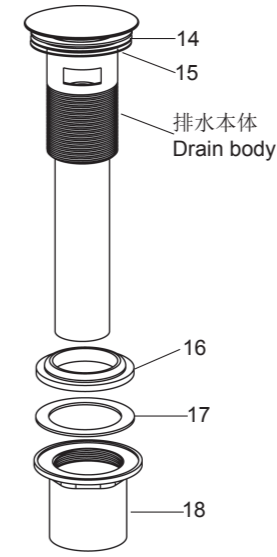
NOTE: Do not overtighten the setscrew.

如何安装排水器

将锁紧螺母(18)、塑料垫片(17)、橡胶垫圈(16)从排水本体上依次取下。把排水本体从脸盆上部孔插入。再依次将橡胶垫圈(小面朝上)、塑料垫片和锁紧螺母从排水本体底部装入。锁紧螺母。

注意: 如果需要, 可直接在排水器法兰(14)底面沿周围涂一圈密封油灰或其他密封剂, 而不使用橡胶垫片(15)。

在锁紧螺母拧紧后, 不可调整排水本体的位置, 否则会破坏油灰密封或密封剂密封。去除多余的油灰。



How To Install The Drain

Remove the locknut(18), plastic washer (17), rubber gasket(16) from the drain body. Insert the drain body into the lavatory. Reinstall the rubber gasket (Tapered side up), plastic washer and locknut back to the drain body in turn. Tighten the locknut.

NOTE: If needed, apply a ring of plumbers putty or other sealants around the underside of the drain flange(14), instead of using rubber washer(15).

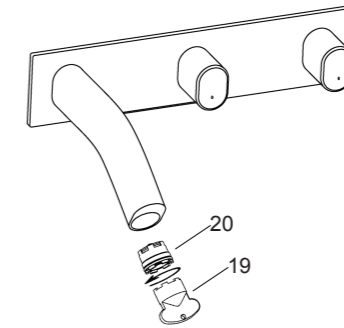
Do not reposition the drain after the locknut is tightened, or you may break the putty or sealant seal. Remove any excess putty.

安装结果检查

检查并确保所有衔接处都已拧紧, 确保把手在关的位置。

打开主要供水源和排水系统, 检查并修理有漏水的接口。

用附带工具(19)将起泡器(20)拆下, 打开水龙头的冷热水, 让水流出一分钟以清除杂质。冲洗起泡器, 关闭水龙头, 重新装回起泡器。



INSTALLATION CHECKOUT

Ensure that all coupling nuts are tight. Ensure that the handles are in the off position.

Turn on the main water supply and drain, and check for leaks. Repair as needed.

Remove aerator assembly(20) by key(19). Turn the faucet handles on. Run hot and cold water through spout for about one minute to remove any debris. Remove any debris from the aerator assembly. Shut off the faucet. Reinstall aerator assembly.

清理说明

适用于所有加工处理过的表面: 以中性肥皂水清洗镀层表面, 再以干净的软布彻底擦干整个表面, 许多清洁剂, 比如氨水、去污粉及洁厕灵等, 会对电镀表面造成伤害, 切忌使用。

有磨损性的清洁用具或清洁剂也不可适用于科勒牌的水龙头及其配件上。

CLEANING INSTRUCTIONS

All Finishes: Clean the finish with mild soap and warm water. Wipe entire surface completely dry with clean soft cloth. Many cleaners may contain chemicals, such as ammonia, chlorine, toilet cleaner etc, which could adversely affect the finish and are not recommended for cleaning.

Do not use abrasive cleaners or solvents on Kohler faucets and fittings.