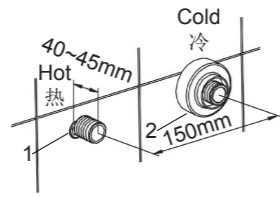


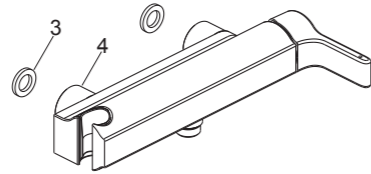
安装说明

如何安装水龙头

在两个接头(1)涂上螺纹密封膏或缠绕密封胶带, 然后旋入冷热供水管中。



调节两个接头, 使其中心距离为150mm并保持同一水平。他们凸出墙面的尺寸应该在40到45mm之间。将装饰罩(2)旋入接头, 紧贴装修后的墙壁。



将垫片(3)放入螺母(4)中, 把螺母旋到接头(1)上, 用带状扳手锁紧。

INSTALLATION

How to Install the Faucet

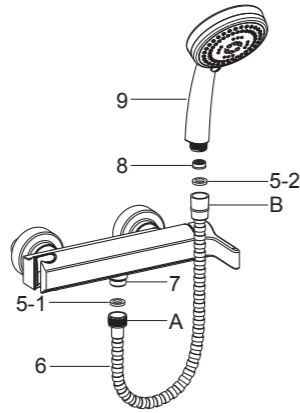
Install the two offset connectors(1) into the hot and cold supply pipes. Use appropriate thread sealants or thread tape on pipe threads.

Adjust the center-to-center distance between the connectors to 150mm and level. They should extend 40 to 45mm from finished wall. Thread the escutcheons(2) onto the connectors until they contact the finished wall.

Put the washers(3) into the nuts(4). Thread the nuts onto the connectors(1) and tighten by wrench.

如何安装花洒

将垫片(5-1)装入软管(6)A端, 然后与出水口(7)连接。将垫片(5-2)装入软管B端, 根据需要将限流器(8)装入花洒(9)进水口, 然后将B端与花洒连接。



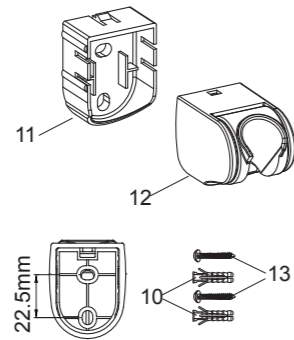
How to Install the Handspray

Put the washer(5-1) into end A of the hose(6), and then connect to the faucet outlet(7). Put the washer (5-2) into end B of the hose, and install the restrictor(8) into the handspray(8) inlet if needed, then connect end B of the hose to the handspray inlet.

如何安装托架

在墙面选一合适的位置来安装托架。

根据孔距在墙面标记位置, 依据胀塞(10)直径打孔, 安装胀塞。旋紧螺钉(13), 使底座(11, 平面朝上)固定紧贴墙壁。将托架(12)扣在底座上, 使凸台嵌入豁口。把花洒挂在托架上。



How to Install the Bracket

Determine a suitable location on the finished wall to install the bracket.

Mark bracket base mounting hole locations on the wall according to the dimension. Drill two holes in the finished wall, the holes should match the anchors(10). Install the anchors. Tighten screws(13) to secure bracket base(11) to the finished wall. Put the bracket(12) onto the bracket base and lock by stopper. Hang the handspray on the shower bracket.

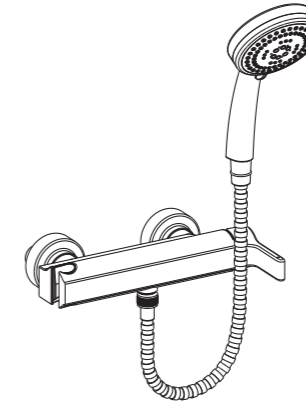
安装结果检查

检查并确保所有的衔接处都已拧紧。

确保手柄在关闭位置。

打开排水系统和主要供水源, 检查并修理有漏水的接口。

取下花洒。打开冷热水, 让水流出约一分钟以清除杂质。检查渗漏。关闭水龙头, 并装回花洒。



INSTALLATION CHECKOUT

Ensure that all coupling nuts are tight.

Ensure that the handle is in the off position.

Turn on the main water supply, and check for leaks. Repair as needed.

Remove the handspray. Run hot and cold water through the faucet for about one minute to remove any debris. Check for leaks. Shut the faucet off, and reinstall the handspray.

清洗说明

适用于所有加工处理过的表面: 以中性肥皂水清洗镀层表面, 再以干净的软布彻底擦干整个表面, 许多清洁剂, 比如氨水、去污粉及洁厕灵等, 会对电镀表面造成伤害, 切忌使用。

有磨损性的清洁用具或清洁剂也不可适用于科勒牌的水龙头及其配件上。

CLEANING INSTRUCTIONS

All Finishes: Clean the finish with a mild soap and warm water. Wipe entire surface completely dry with clean soft cloth. Many cleaners may contain chemicals, such as ammonia, chlorine, toilet cleaner etc. which could adversely affect the finish and are not recommended for cleaning.

Do not use abrasive cleaners or solvents on Kohler faucets and fittings.