

10456T

皂盘

安装之前

BEFORE YOU BEGIN

所有的资料是按最新出版的产品资料编写而成。科勒公司保留任何时候不经通知即可改变产品特性、包装或产品可供类型的权利。

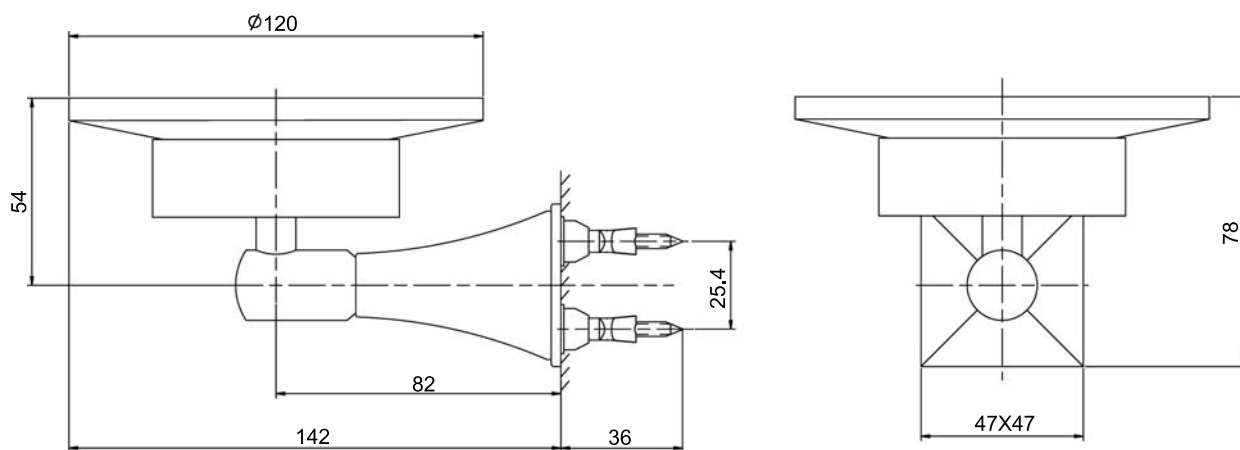
All information is based on the latest product information available at the time of publication. Kohler Co. reserves the right to make changes in product characteristics, packaging, or availability at any time without notice.

说明书包括重要的安装、保养及清洁方面的内容,请把这些资料交给用户阅读。

Please leave these instructions for the consumer. They contain important information.

安装尺寸

ROUGH-IN DIMENSIONS



10456T

安装步骤

INSTALLATION

如何安装底座

How To Install The Base

在墙面选一合适的位置来安装皂盘。

Select a location to install soap dish.

在墙壁上标记安装皂盘中心点位置。

Mark the center point location.

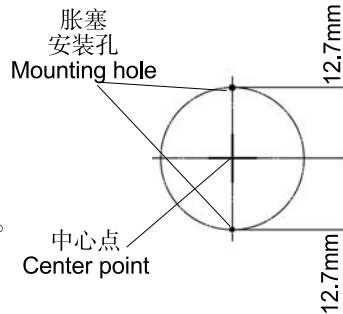
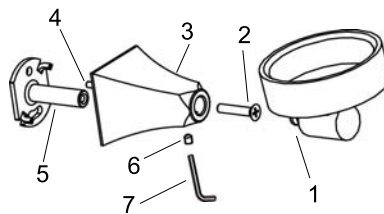


Fig.1

参照 Fig.1 竖直方向距中心点上下 12.7mm 处标记胀塞(10)安装孔位置,根据胀塞直径钻孔。

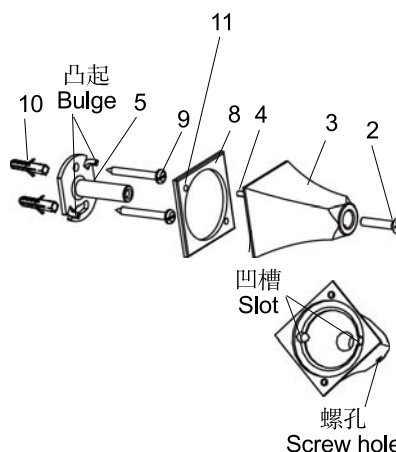
As Fig.1 shown, mark anchor(10) hole locations vertically 12.7mm above and below the center points. Drill holes in the finished wall as required.

用六角扳手(7)旋松螺钉(6),取下托架(1)。旋开螺钉(2),分开裙座(3)与导向座(5)。**注意:**勿将销子(4)弄丢。



Loosen the screw(6) with hex wrench(7). Take off the bracket(1). Unscrew the screw(2). Separate the pilot(5) from the bonnet(3). **Note:** Don't lose the pins(4).

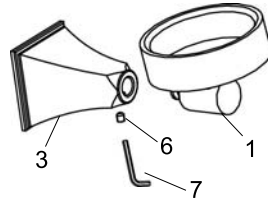
将胀塞(10)塞入孔中,用自攻钉(9)固定导向座(5),保持导向座两直边竖直。将装饰盖(8)装到裙座上,使销子(4)装入销孔(11)。保持裙座螺孔向下,使裙座内壁的凹槽对准导向座的凸起,将导向座装入裙座,锁紧螺钉(2)固定裙座。



Press the anchor(10) into the holes. Orienting the pilot(5) with straight edges vertical, secure the pilot with the self-tapping screws(9). Aligning the pin holes(11) with pins(4), slide the escutcheon(8) onto bonnet. Keeping the screw hole downward, aligning the bulges of pilot with the slots of the bonnet, slide bonnet onto the pilot. Secure it with screw(2).

如何安装托架和皂盘

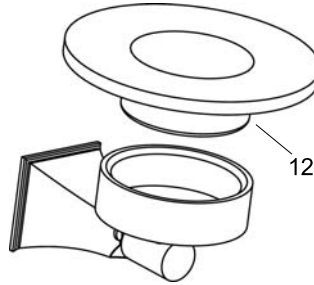
将托架(1)插入裙座(3)并保持托架水平朝上,用六角扳手(7)锁紧螺钉(6)。



How to Install the Bracket and the Soap Dish

Keeping bracket(1) level and upward, reinstall bracket on the bonnet(3). Tighten screw(6) with hex wrench(7).

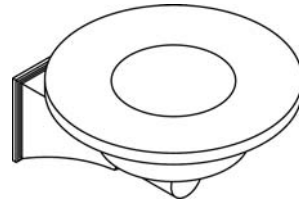
放入皂盘(12)。



Put the soap dish(12) into bracket.

安装结果检查

确保所有连接处已锁紧。



INSTALLATION CHECKOUT

Ensure that all connections are tightened.

清理说明

适用于所有加工处理过的表面:以中性肥皂水清洗镀层表面,再以干净的软布彻底擦干整个表面,许多清洁剂,比如氨水、去污粉及洁厕灵等,会对电镀表面造成伤害,切忌使用。

有腐蚀性的清洁剂或溶剂不可用于科勒牌的水龙头及其附件上。

CLEANING INSTRUCTIONS

All Finishes: Clean the finish with mild soap and warm water. Wipe entire surface completely dry with a clean soft cloth. Many cleaners may contain chemicals, such as ammonia, chlorine, toilet cleaner etc. which could adversely affect the finish and are not recommended for cleaning.

Do not use abrasive cleaners or solvents on Kohler faucets and fittings.

KOHLER®

ACCESSORY SERVICE PARTS

浴室配件 零件图

M 梅玛 MEMOIRS

Soap Dish

10456T

皂盘

