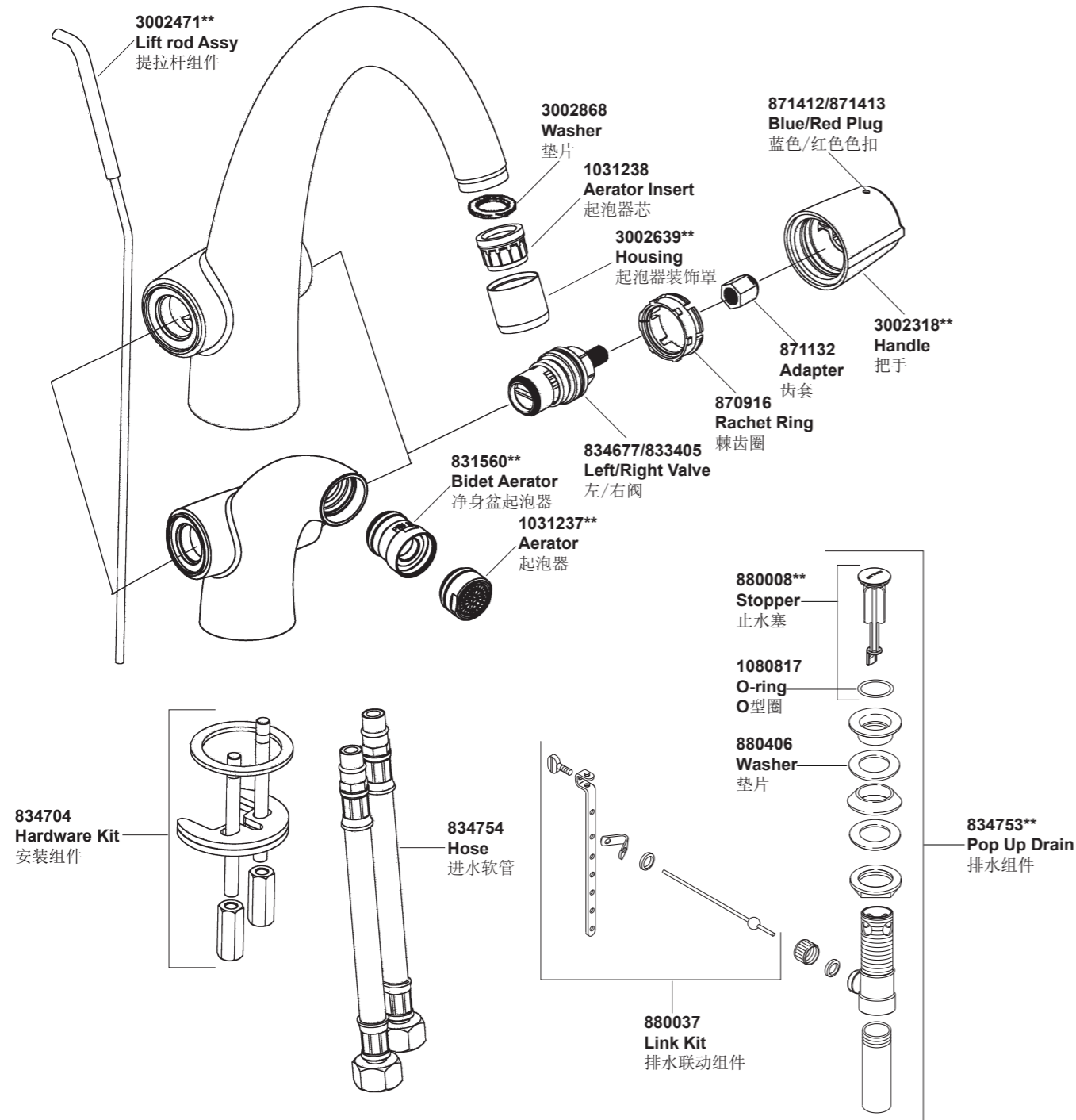


Single Hole Dual-Handle Faucet

18870T 单孔双把脸盆龙头  
18873T 单孔双把净身盆龙头



\*\*订购时请说明颜色编号  
\*\*Color code must be specified when ordering

Single Hole Dual-Handle Faucet

18870T 单孔双把脸盆龙头  
18873T 单孔双把净身盆龙头

安装之前

所有的资料是按最新出版的产品资料编写而成。科勒公司保留任何时候不经通知即可改变产品特性、包装或产品可供类型的权利。

说明书包括重要的安装、保养及清洁方面的内容，请把这些资料交给用户阅读。

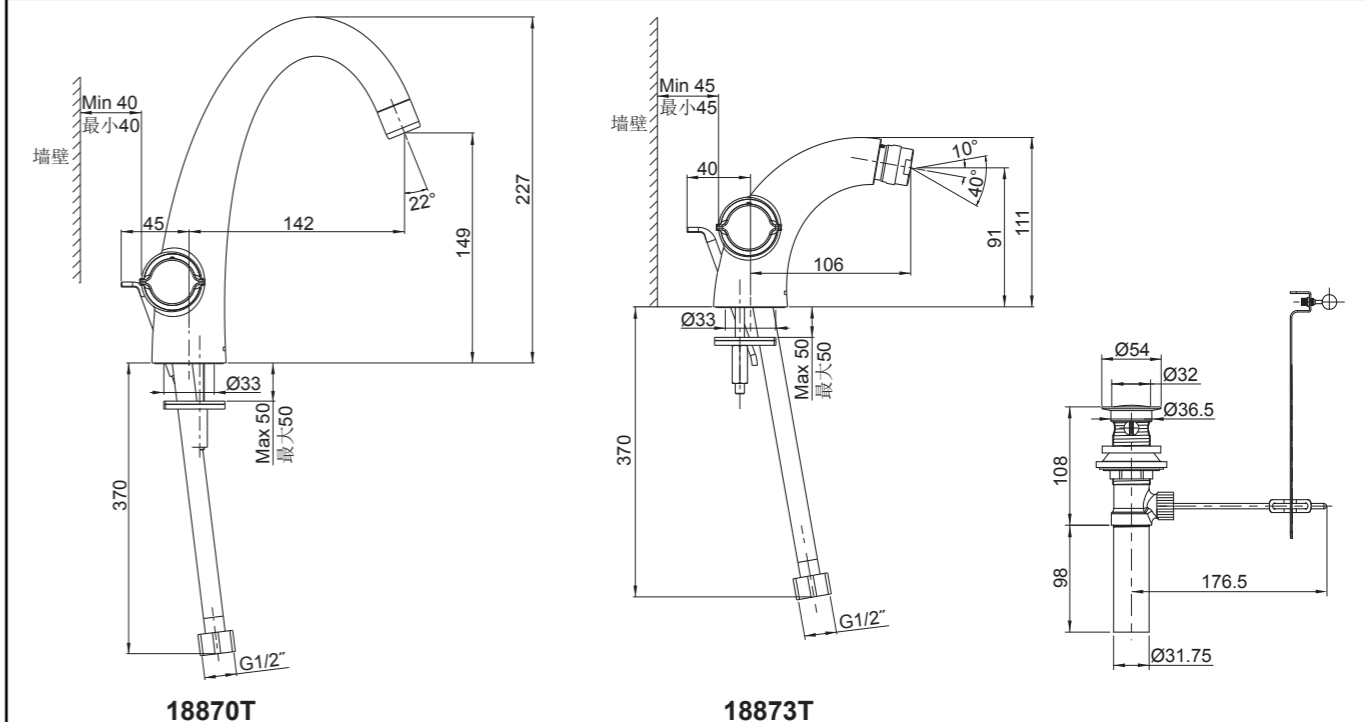
注意事项:

1. 一定要先彻底冲洗供水管以清除管道中的杂质。
2. 如果是安装新的洗脸盆，可将水龙头和排水组件先装到脸盆上。

使用说明

顺时针旋转左把手为开，逆时针旋转右把手为开。

安装尺寸



BEFORE YOU BEGIN

All information is based on the latest product information available at the time of publication. Kohler Co. reserves the right to make changes in product characteristics, packaging, or availability at any time without notice.

Please leave these instructions for the consumer. They contain important information.

NOTES:

1. Flush the water supply pipes thoroughly to remove debris.
2. For new installations, assemble faucet and drain to lavatory before installing lavatory.

HANDLE OPERATION

Left handle opens with turning clockwise, right handle opens with turning counter-clockwise.

ROUGH-IN DIMENSIONS

## 安装步骤

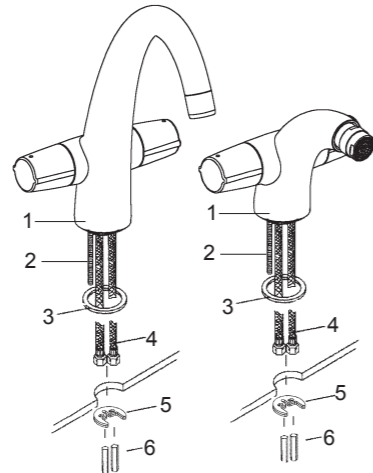
### 如何安装水龙头

若因维修或其他原因，拆下软管，装回时手动拧紧即可。

将固定螺杆(2)拧到水龙头底部(1)，把垫圈(3)套进软管(4)和固定螺杆上，并嵌入水龙头底盘的槽中。

把供水软管插入脸盆的孔中，调整水龙头的位置，从洗涤盆的下方把托架(5)套入固定螺杆(先套橡胶垫片)，锁紧螺母(6)以固定水龙头。

把软管接到水源，当您在面对水龙头时，左边为热水，右边为冷水。



## INSTALLATION

### How To Install The Faucet

If needed to take off the hoses to repair, reinstall and tighten them by hand.

Install the mounting stud(2) into the faucet body base(1). Slide the washer(3) over the flexible hoses(4) and mounting studs, and into the groove on the bottom of faucet body.

Insert the flexible supply hoses into the lavatory. Position the faucet. From underside of the lavatory, fit the bracket(5) on the mounting studs with the rubber first, and secure the faucet with the nut(6).

Attach the hoses to water supplies. When facing front of faucet, the left hose is hot water, the right hose is cold water.

### 如何安装提拉杆排水组件

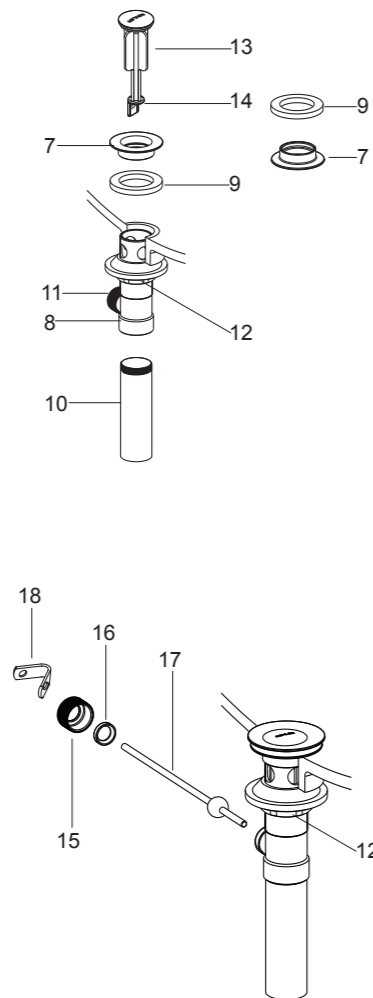
将止水塞(13)、法兰盘(7)及垫片(9)从排水本体(8)上取下。从排水本体上取下尾管(10)。用密封胶带(生料带)在排水器尾管螺纹上缠几圈，再装回到排水本体上。把排水本体组件从脸盆下方插到脸盆中，排水杆口(11)朝后方。把法兰盘带垫片旋入到排水本体中，从下方用手拧紧锁紧螺母(12)。

**注意：**如果需要，可直接在法兰盘(7)底面沿周围涂一圈密封油灰，或其他密封剂，而不使用垫片(9)。

把止水塞(13)放入排水本体中，调整止水塞末端的洞口(14)使其靠近并对正排水杆的洞口。

将固定螺母(15)取下，把塑料垫圈(16)及固定螺母装在球杆(17)上，再把球杆组件插入排水杆的洞口中并穿过止水塞，拧紧固定螺母。

确保球杆(17)指向脸盆后方，用扳手拧紧排水本体上的锁紧螺母(12)。



### How To Install The Drain

Remove stopper(13), flange(7) and washer(9) from drain body(8). Take off the tailpiece(10). Apply thread tape to tailpiece and install the tailpiece to drain body. Insert drain body kit into the lavatory from underside, and make sure the drain lever hole(11) facing to the back of the lavatory. Screw the flange with washer into the drain body. Tighten the locknut(12) by hand from the underside of the fixture.

**NOTE:** If needed, apply a ring of plumbers putty around the underside of the drain flange(7), instead of using washer(9).

Place stopper(13) into drain body aligning the flat side of stopper hole(14) with the drain lever hole.

Remove the retaining nut(15). Fit the plastic washer(16) and retaining nut onto the ball lever(17). Insert the ball lever assembly into the drain lever hole and through the stopper hole. Tighten the retaining nut.

Be sure that the ball lever(17) points to the back of the lavatory, tighten the locknut(12) on the drain body by wrench.

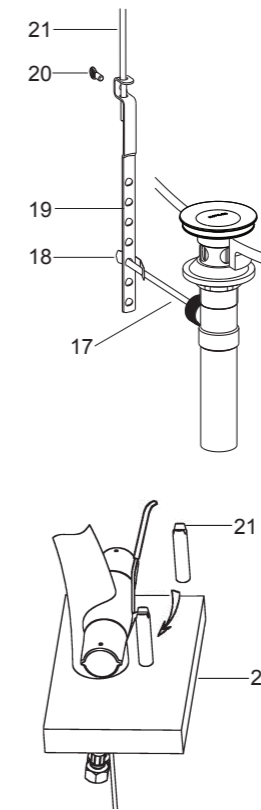
**注意：**在锁紧螺母拧紧后，如法兰盘使用密封油灰，则不可以调整排水本体的位置，否则会破坏油灰密封的密封性。同时去除多余油灰。

把手捻螺丝(20)装到联杆(19)上。用“V”形夹(18)将联杆连接到球杆(17)上，将提拉杆(21)插入水龙头及联杆的孔中，用提拉杆调整件(22)调整提拉杆的位置(如图所示)，使得提拉杆头部正好落调整件的凹槽中。

将球杆下推至排水组件全开位置，调整提拉杆的位置。

拧紧手捻螺丝(20)。

安装完毕将提拉杆调整件取下。



**NOTE:** Do not reposition the drain if plumbers putty applied after the locknut is tightened, or you may break the putty seal. Wipe away excess plumbers putty.

Assemble thumb screw(20) to link(19), and link onto ball lever(17) with “V”-clip (18). Slide lift rod(21) in faucet and into the hole in link. Position the lift rod with the adjuster(22)(as shown in the figure) to make the top of the lift rod knob rest on the groove of the adjustable piece.

Push the ball lever down into the open position, and adjust the lift rod.

Tighten thumb screw(20).

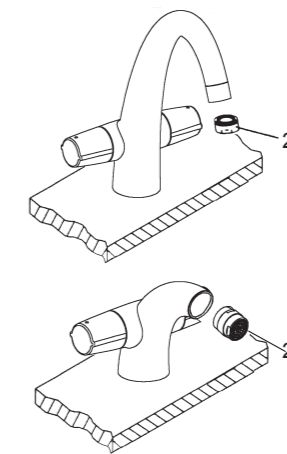
Put the lift rod adjuster aside after all is installed.

### 安装结果检查

检查并确保所有的衔接处都已拧紧。确保把手在关闭的位置。

打开排水系统和主要供水源，检查并修理有漏水的接口。

将起泡器(23)拆下，打开水龙头的冷热水，让水流出约一分钟以清除杂质，检查渗漏。冲洗起泡器，关闭水龙头，重新装回起泡器。



### INSTALLATION CHECKOUT

Ensure that all connections are tight. Ensure that the handles are in the off position.

Open the drain. Turn on main water supply and check for leaks. Repair as needed.

Remove the aerator(23). Turn the faucet handle on and run hot and cold water through spout for about one minute to remove any debris. Check for leaks. Repair as needed. Remove any debris from the aerator. Shut off the faucet. Reinstall the aerator.

### 清理说明

适用于所有加工处理过的表面：以中性肥皂水清洗镀层表面，再以干净的软布彻底擦干整个表面，许多清洁剂，比如氨水、去污粉及洁厕灵等，会对电镀表面造成伤害，切忌使用。

有磨损性的清洁用具或清洁剂也不可适用于科勒牌的水龙头及其配件上。

### CLEANING INSTRUCTIONS

All Finishes: Clean the finish with mild soap and warm water. Wipe entire surface completely dry with clean soft cloth. Many cleaners may contain chemicals, such as ammonia, chlorine, toilet cleaner etc. which could adversely affect the finish and are not recommended for cleaning.

Do not use abrasive cleaners or solvents on Kohler faucets and fittings.