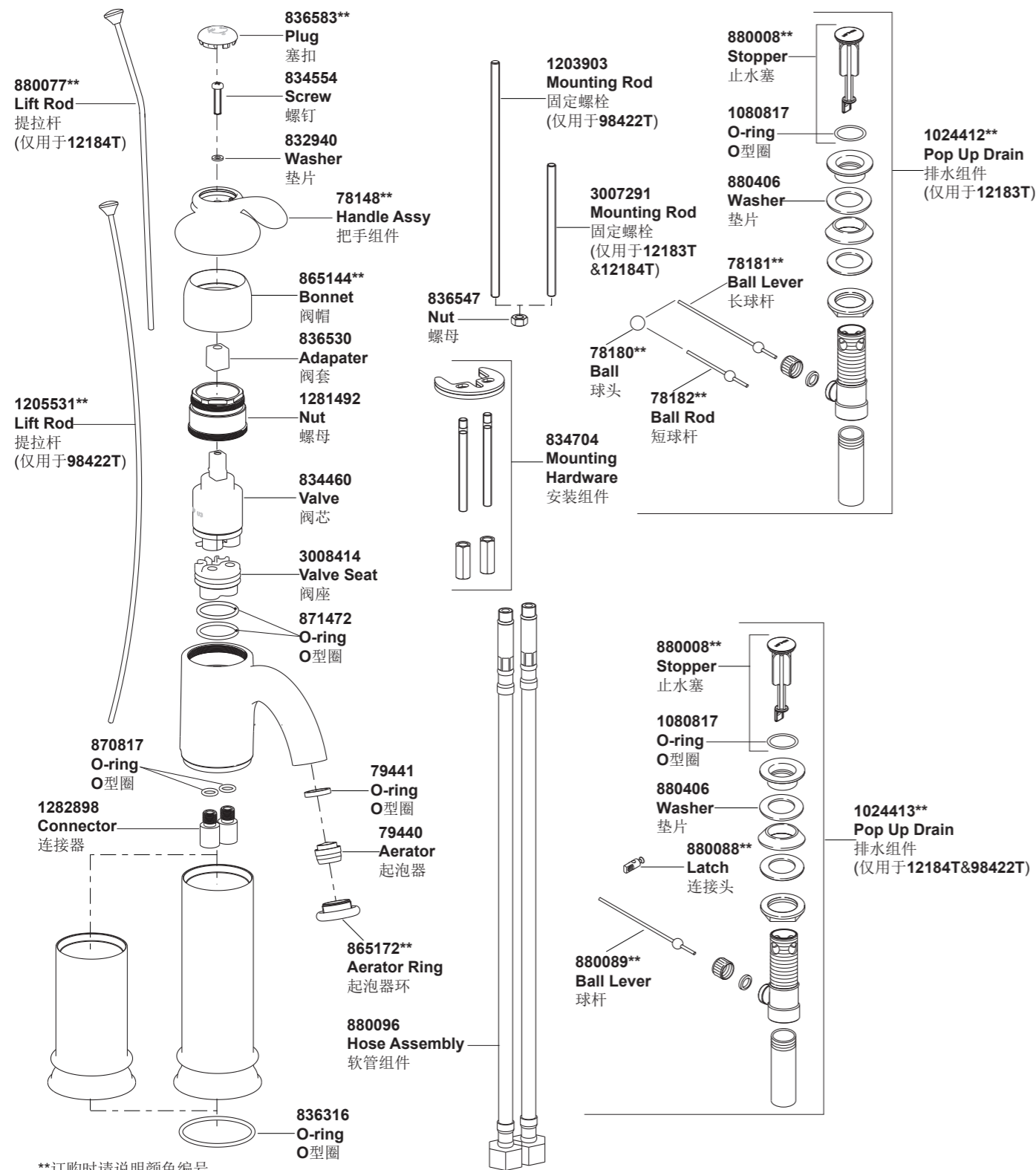


12183T 12184T 单孔脸盆龙头
98422T 单把碗盆龙头(高出水口)



**订购时请说明颜色编号
**Color code must be specified when ordering

12183T 12184T 单孔脸盆龙头
98422T 单把碗盆龙头(高出水口)

安装之前

所有的资料是按最新发布的产品资料编写而成。科勒公司保留任何时候不经通知即可改变产品特性、包装或产品可供类型的权利。

说明书包括重要的安装、保养及清洁方面的内容，请把这些资料交给用户阅读。

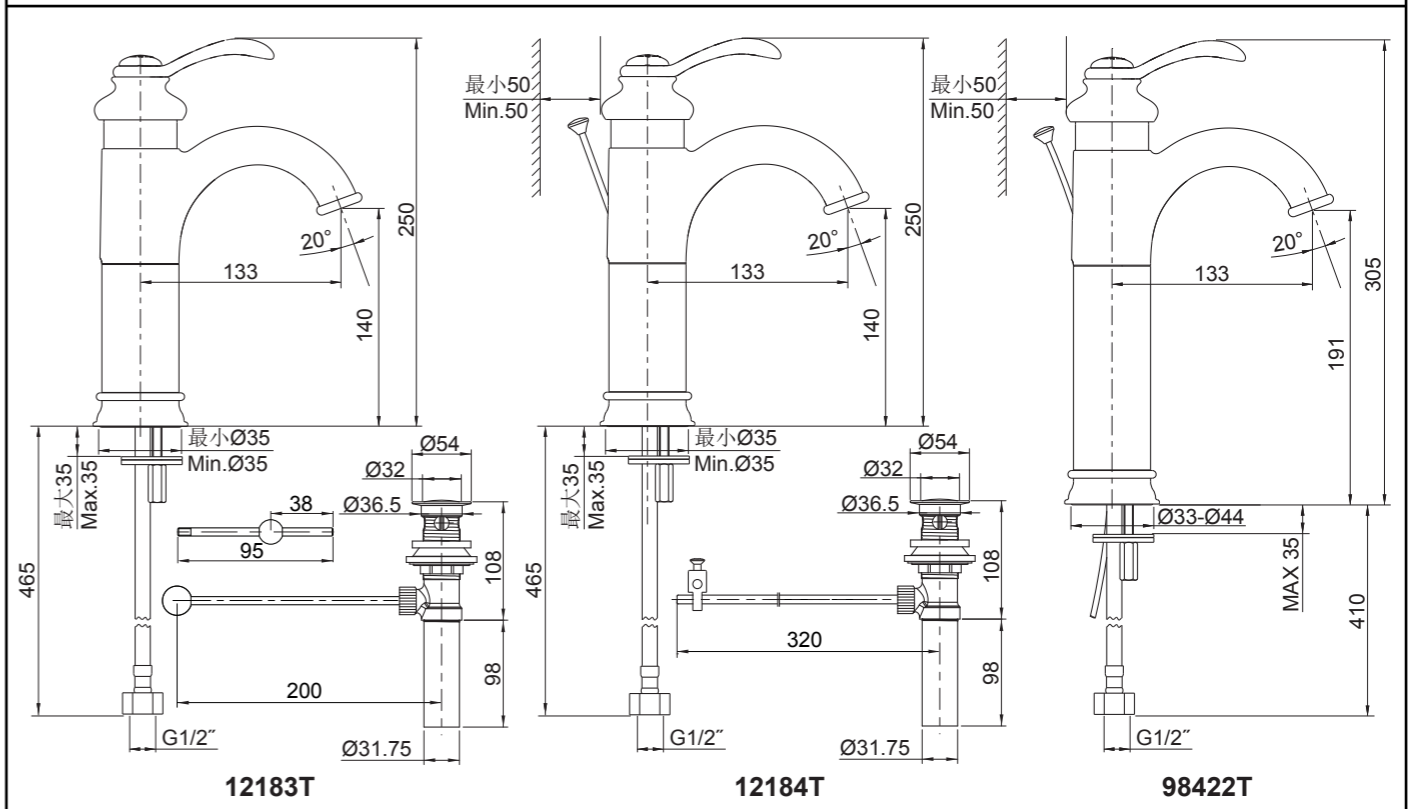
注意事项：

- 1.一定要先彻底冲洗供水管以清除管道中的杂质。
- 2.如果是安装新的洗脸盆，可将水龙头和排水组件先装到洗脸盆上。

使用说明

将手柄轻轻提起，顺时针旋转为热水，逆时针旋转为冷水。

安装尺寸



BEFORE YOU BEGIN

All information is based on the latest product information available at the time of publication. Kohler Co. reserves the right to make changes in product characteristics, packaging, or availability at any time without notice.

Please leave these instructions for the consumer. They contain important information.

NOTES:

1. Flush the water supply pipes thoroughly to remove debris.
2. For new installations, assembly faucet and drain to lavatory before installing lavatory.

HANDLE OPERATION

Lift the handle gently. Turn clockwise for hot water, counter-clockwise for cold water.

ROUGH-IN DIMENSIONS

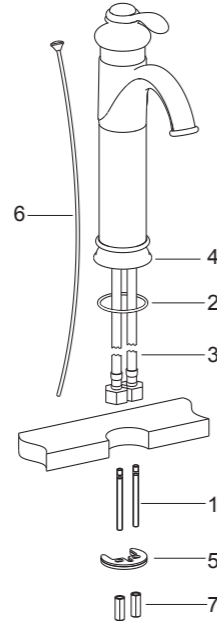
安装步骤

如何安装水龙头

先将提拉杆(6)插入水龙头内(对于12184T&98422T)。将固定组件中的两个固定螺栓(1)装在龙头上,再将O型圈(2)通过软管(3)和固定螺栓放入装饰盖(4)底部,把安装在本体组件上的软管和提拉杆(6)一并插入脸盆的安装孔中。

调整好水龙头的位置。从脸盆下方将托架(5)套在固定螺栓上,并用两个螺母(7)锁紧,将水龙头固定。

把软管连接到水源。右边的带“COLD”标签的软管接冷水,另外一根软管接热水。



INSTALLATION

How to Install the Faucet

Insert the lift rod(6) into the hole of faucet(only for 12184T & 98422T). Screw the thread studs(1) to the holes of the faucet bottom. Put the o-ring(2) into the bottom of the escutcheon(4) of the faucet through the flexible hoses(3) and the mounting stud. Insert the hoses and lift rod(6) into the hole of the lavatory.

Position the faucet. From underside of the lavatory, fit the bracket(5) on the thread stud and secure the faucet by tightening two nuts(7).

Attach the hoses to water supplies. The right hose with “COLD” label connects to cold water. The other hose connects to hot water.

如何安装排水器

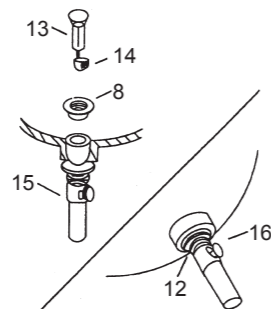
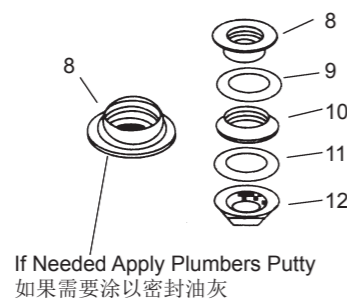
将排水器盘片(8)底面套上垫片(9)。把锁紧螺母(12)、垫片(11)、垫圈(10,小面朝上)套在排水本体上。把排水本体由底下插入脸盆,排水杆口朝后。对于12183T,将排水杆口朝前;对于12184T & 98422T,将排水口朝后。

注意: 如果需要,可直接在排水器盘片(8)底面沿周围涂一圈密封油灰,而不使用垫片(9)。

把排水器盘片(8)旋入排水本体(15)中并从下方用手拧紧螺母(12)。

把止水塞(13)放入排水本体(15)中,调整以使止水塞末端的洞口(14)靠近并对正排水杆的洞口(16)。

注意: 在锁紧螺母(12)转紧后,不可调整排水本体的位置,否则会破坏油灰密封。



How to Install the Drain

Slide the washer(9) onto the underside of the drain flange(8). Slide the locknut(12), washer(11) and gasket(10, Tapered side up) onto the drain body. Insert the drain body into the underside of the lavatory with the drain lever hole facing the rear. For 12183T, turn the drain lever hole to face the front; For 12184T & 98422T, turn it to face rear.

NOTE: If needed, apply a ring of plumbers putty around the underside of the drain flange(8) instead of using washer(9).

Thread the drain flange(8) onto the drain body(15). Tighten the locknut(12) by hand from the underside of the basin.

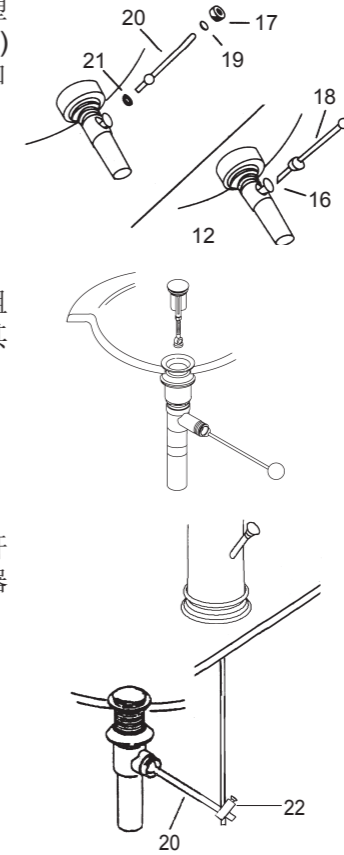
Place the stopper(13) into the drain body(15) aligning the flat side of the stopper hole(14) with the drain lever hole(16).

NOTE: Do not reposition the drain after the locknut(12) is tightened, or you may break the putty seal.

把塑料垫片(19)放入排水杆孔中,将塑料垫片(21)和固定螺母(17)装在球杆(20)上,再把球杆组件(18)插入排水杆洞口中并穿过止水塞,拧紧固定螺母(17)。

对于12183T,提供有长、短两个球杆组件。根据安装和设计需要,可以选用其中的一种进行安装。

把接头(22)装到提拉杆上,将球动杆装到接头内,把球杆往下推到排水器全开的位置。调整提拉头到合适位置,将接头锁紧,固定在提拉杆上。



Fit the plastic washer(19), rubber washer(21), and retaining nut(17) onto the ball lever(20). Insert the ball lever assembly(18) into the drain lever hole(16) and through the stopper hole, and tighten the retaining nut(17).

For the 12183T, both a long and a short ball lever assembly are provided. Use whichever assembly suits your installation and design needs.

Put the lift rod into the hole of latch(22), connect the lift rod and the ball lever with latch. Push the ball lever down into the open position, adjust the lift rod knob to the right position, tighten the screw of the latch to fix the lift rod.

安装结果检查

检查并确保所有的连接螺母都已拧紧。确保把手在关闭位置。打开排水器和主要供水源,检查并修理有漏水的接口。

将起泡器(23)卸下,打开水龙头的冷热水,让水流出约一分钟以清除杂质,检查渗漏。冲洗起泡器,关闭水龙头,重新装回起泡器。

清洗说明

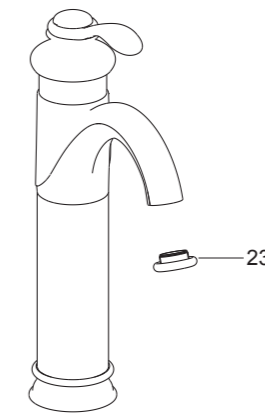
适用于所有加工处理过的表面:以中性肥皂水清洗镀层表面,再以干净的软布彻底擦干整个表面,有许多清洁剂,比如氨水、去污粉及洁厕灵等,会对电镀表面造成伤害,切忌使用。

有磨损性的清洁用具或清洁剂也不可用于科勒牌的水龙头及其配件上。

INSTALLATION CHECKOUT

Ensure all coupling nuts are tight. Ensure that handle is in the off position. Turn on main water supply and check for leaks. Repair as required.

Remove aerator assembly(23). Turn faucet handles on and run hot and cold water through spout for about one minute to remove any debris. Check for leaks at this time. Rinse the aerator assembly to remove any debris. Shut faucet off and reinstall aerator assembly.



CLEANING INSTRUCTIONS

All Finishes: Clean the finish with mild soap and warm water. Wipe entire surface completely dry with clean soft cloth. Many cleaners may contain chemicals, such as ammonia, chlorine, toilet cleaner etc. which could adversely affect the finish and are not recommended for cleaning.

Do not use abrasive cleaners or solvents on Kohler faucets and fittings.